



Quanzhou Smarts Electronic & Technology Co.,Ltd
 泉州斯玛斯电子科技有限公司



DIMMABLE LED DRIVER

- Triac Dimming Series
- 0-10V Dimming Series
- (DT6) DALI-2 & PUSH Dimming Series
- (DT8) DALI-2 & PUSH Dimming Series
- Triac & 0-10V(5 in 1)Dimming Series
- DMX512 Dimming Series
- Wireless Dimming Series
- Current Selectable Dimming Series



WeChat



Web1

About Us

公司简介

Quanzhou Smarts Electronic & Technology Co.,Ltd established in 1998 was located in a developed economy, abundant resources, beautiful scenery of Licheng district, Quanzhou city, our company has an area of 2000 square meters, production workshop, warehouse, office, living facilities complete with. With the development of society, human increasing awareness of "green energy, environmental protection, save energy" becomes the concerned topic.

"to develop, be innovative, green be imperative," Smarts people followed the pace of human development, focus on the "green, save energy, environment protection", committed to the new energy, the development of LED energy-saving lamps power supplies products. Our existing LED drivers production line 6, production staff of 300 people, R & D personnel to reach 10 people. Smarts electronics becomes the multitudinous international brand processing factories and power supply design manufacturer.

Since 1998, founder of the company, has always been adhering to the "customer satisfaction is our goal of" business philosophy, to refine on attitude towards science and modern production management technology, so I plant product performance, technical indicators have reached the international level. Welcome all friends to visit Quanzhou city Smarts electronic & technology co.,ltd, guidance and business negotiation.

公司简介

泉州斯玛斯电子科技有限公司，成立于1998年，坐落于经济发达、物产丰富、风景秀丽的泉州市鲤城区浮桥镇，公司拥有占地2000平方米的生产车间，与之配套的仓储、办公、生活设施。随着社会的发展，人类对环境保护意识的提高，绿色能源成为人们日渐关注的话题。

"想发展，要创新，绿色环保节能产品势在必行"，斯玛斯人紧随着人类发展的步伐，着眼于"绿色，环保，节能"理念，致力于新能源，开发与LED灯具。相配套的各种电源产品，有LED恒压/恒流防水&胶壳驱动电源，0-10V/PWM/电阻&可控硅恒压/恒流驱动电源，工业开关电源，小家电开关电源等系列产品。现我司已有LED电源生产线6条，生产人员300人，研发人员10人。斯玛斯电子科技已逐渐成为中国驱动电源产品设计开发制造商和销售商。产品主要销往欧洲，北美，俄罗斯等主要发达国家市场。

自1998年创办该公司以来，一贯秉承"顾客的满意就是我们的目标"的经营理念，以精益求精的科学态度和现代化的生产管理技术，使我司产品性能，技术指标均达到国际水平。欢迎各界朋友莅临泉州市斯玛斯电子科技有限公司参观、指导和业务洽谈。

工厂展示 Factory Demonstration



证书 Qualification



UL



ETL



SAA



FCC



CE-EMC



CE-LVD



RoHS



Energy Star

C 目录 Contents

Part 1 (1-6 Page)

Triac & 0-10V (5 in 1) Dimmable CV LED Driver

可控硅 & 0-10V(5合1)调光恒压LED驱动器

Part 2 (7-16 Page)

Triac & 0-10V (5 in 1) Dimmable CV LED Driver

(Output Voltage Adjustable / PWM & Voltage Reduce output Switchable)

可控硅 & 0-10V(5合1)调光恒压LED驱动器【输出电压可调 / PWM和调压输出可切换】

Part 3 (17-30 Page)

CCT & Triac & 0-10V (5 in 1) Dimmable CV LED Driver

(Output Voltage Adjustable / PWM & Voltage Reduce output Switchable)

可控硅 & 0-10V(5合1)双色调光恒压LED驱动器【输出电压可调 / PWM 和调压输出可切换】

Part 4 (31-48 Page)

Dimmable CC LED Driver (Output Current Selectable)

输出电流可选的 LED 驱动器

Triac Dimming Series

可控硅调光系列 (31-32)

0-10V Dimming Series

0-10V调光系列 (33-34)

(DT6) DALI-2 & PUSH Dimming Series

(DT6) DALI-2 & PUSH调光系列 (35-37)

(DT8) DALI-2 & PUSH Dimming Series

(DT8) DALI-2 & PUSH调光系列 (38-40)

Triac & 0-10V (5 in 1)Dimming Series

可控硅 & 0-10V (5合1) 调光系列 (41-44)

DMX512 Dimming Series

DMX512调光系列 (45-48)

Part 5 (49-52 Page)

DMX512 Dimmable CV LED Driver

DMX512恒压调光LED 驱动器

Part 6 (53-58 Page)

Wireless Dimmable CV LED Driver

无线调光恒压LED 驱动器

WiFi Dimming Series

WiFi调光系列 (53-54)

Bluetooth Dimming Series

蓝牙调光系列 (55-56)

Zigbee Dimming Series

Zigbee调光系列 (57-58)

Part 7 (59-62 Page)

DALI-2 & Push Dimming(2 in 1) CV LED Driver [DT6]

DALI-2(数字可寻址) & PUSH二合一调光电源 【 DT6 】

Part 8 (63-66 Page)

DALI-2 & Push Dimming(2 in 1) CV LED Driver [DT8]

DALI-2(数字可寻址) & PUSH二合一调光电源 【 DT8 】

Part 9 (67-68 Page)

Slim Size DALI-2 Dimmable CV LED Driver

DALI-2恒压LED驱动器 (长条形)

Part 10 (69-70 Page)

Triac / ELV Dimmable CV LED Electronic Transformer

Triac/ELV可调光恒压LED电子变压器

5 in 1 Dimmable Constant Voltage

Triac/0-10V/1-10V/Potentiometer/10V PWM 5 in 1 Dimmable LED Driver

可控硅&0-10V (5 合 1)调光电源

Features

特性

- High efficiency, high reliability, save energy, protected environment, long life time
- Output : Constant Voltage Type
- Universal AC input : (100-277V)
- Short circuit/Over voltage/Over temp.
- Plastic housing IP20 or aluminum housing IP67
- Built-in PFC function PF > 0.97 / Efficiency > 86%
- Dimming function:
 - (1) Phase dimming: forward phase /leading edge MLV & Reverse phase /trailing edge ,ELV, TRIAC dimmers
 - (2) 0-10V dimming: 0-10V/1-10V/Potentiometer/10V PWM 4 in 1
- Optional Shell: Standard Size, Slim Size, J-box driver
- 7 years warranty.
- UL/cUL, CE, FCC, Type HL rated, Class P ROHS approval

产品优势: 高效率, 性能稳定, 节能环保
保护环境, 寿命长

输出: 恒压输出

国际通用输入电压: (100-277V)

保护功能: 短路/过压、过温保护功能

塑料外壳 IP20或铝外壳 IP67

内置PFC功能: PF > 0.97/效率 > 86%

调光功能:

(1)可控硅调光: 正相/前沿/MLV和反相/后沿, ELV, TRIAC调光器

(2)0-10V调光: 0-10V/1-10V/电阻调光/10V PWM 4合1

可选外壳: 常规尺寸、长条尺寸、一体机
质保期: 7年

认证: UL/cUL, CE, FCC, Type HL rated, Class P, ROHS,

Application

适用范围

- Indoor & outdoor LED illuminating lights.
- LED Neon,
- LED City Decoration
- LED Lighting Advertising,
- LED Display, Strips, Light bar
- Commercial LED Lighting,

户内外LED照明灯光

LED霓虹灯

LED城市装饰灯

LED广告灯带

LED显示屏, 灯带, 灯条

商用LED照明

Optional Shell

可选外壳

SMT- XXX - YYY VTD
SMT- XXX - YYY VTD52 (Class 2)



DC 12V 24V, 30W-300W
DC 12V 24V 48V, 180-384W (Class 2)
Standard Size
With Junction Box

SMT- XXX - YYY VTDSP(W)



DC 12V 24V 36V 48V, 30W-150W
Slim Size Design

SMT- XXX - YYY VTDHV2
SMT- XXX - YYY VTD52JV2 (Class 2)



DC 12V 24V, 30W-300W
DC 12V 24V 48V, 180-384W (Class 2)
built-in Junction Box



Optional Model (Standard Size 5 in 1 Dimmable LED Driver)

可选型号 (5合1常规尺寸LED 驱动)

Model 型号	Cover Material 外壳材质	Output Voltage 输出电压 (Vdc)	Output Current 输出电流 (Amp)	Output power 输出功率 (Watt)	Product Size 尺寸 (mm)	NW 净重 (g)
SMT-012-030VTD	Plastic(IP20)	12	2.5	30	155*54*20	200
SMT-024-030VTD	Plastic(IP20)	24	1.25	30	155*54*20	200
SMT-012-060VTD	Plastic(IP20)	12	5	60	178*61*24	350
SMT-024-060VTD	Plastic(IP20)	24	2.5	60	178*61*24	350
SMT-012-080VTD	Aluminum(IP67)	12	6.6	80	230*70*43	1100
SMT-024-080VTD	Aluminum(IP67)	24	3.3	80	230*70*43	1100
SMT-012-100VTD	Aluminum(IP67)	12	8.33	100	230*70*43	1100
SMT-024-096VTD	Aluminum(IP67)	24	4	96	230*70*43	1100
SMT-012-120VTD	Aluminum(IP67)	12	10	120	230*70*43	1100
SMT-024-120VTD	Aluminum(IP67)	24	5	120	230*70*43	1100
SMT-012-150VTD	Aluminum(IP67)	12	12.5	150	256*78*47	1500
SMT-024-150VTD	Aluminum(IP67)	24	6.25	150	256*78*47	1500
SMT-012-200VTD	Aluminum(IP67)	12	16.66	200	256*78*47	1500
SMT-024-200VTD	Aluminum(IP67)	24	8.33	200	256*78*47	1500
SMT-012-300VTD	Aluminum(IP67)	12	25	300	276*78*47	1700
SMT-024-300VTD	Aluminum(IP67)	24	12.5	300	276*78*47	1700



Optional Model (Slim Size 5 in 1 Dimmable LED Driver)

可选型号 (5合1长条尺寸LED 驱动)

Model 型号	Cover Material 外壳材质	Output Voltage 输出电压 (Vdc)	Output Current 输出电流 (Amp)	Output power 输出功率 (Watt)	Product Size 尺寸 (mm)	N/W 净重 (g)
SMT-012-030VTDSW	Aluminum(IP67)	12	2.5	30	262*32*20	400
SMT-024-030VTDSW	Aluminum(IP67)	24	1.25	30	262*32*20	400
SMT-012-030VTDSP	Plastic(IP20)	12	2.5	30	260*30*18.5	300
SMT-024-030VTDSP	Plastic(IP20)	24	1.25	30	260*30*18.5	300
SMT-012-036VTDSW	Aluminum(IP67)	12	3	36	262*32*20	400
SMT-024-036VTDSW	Aluminum(IP67)	24	1.5	36	262*32*20	400
SMT-012-036VTDSP	Plastic(IP20)	12	3	36	260*30*18.5	300
SMT-024-036VTDSP	Plastic(IP20)	24	1.5	36	260*30*18.5	300
SMT-012-060VTDSW	Aluminum(IP67)	12	5	60	300*32*20	500
SMT-024-060VTDSW	Aluminum(IP67)	24	2.5	60	300*32*20	500
SMT-012-060VTDSP	Plastic(IP20)	12	5	60	300*30*18.5	400
SMT-024-060VTDSP	Plastic(IP20)	24	2.5	60	300*30*18.5	400
SMT-012-100VTDSW	Aluminum(IP67)	12	8.33	100	330*32*23	600
SMT-024-096VTDSW	Aluminum(IP67)	24	4	96	330*32*23	600
SMT-024-100VTDSW	Aluminum(IP67)	24	4.17	100	330*32*23	600
SMT-012-100VTDSP	Plastic(IP20)	12	8.33	100	330*30*22	500
SMT-024-096VTDSP	Plastic(IP20)	24	4	96	330*30*22	500
SMT-024-100VTDSP	Plastic(IP20)	24	4.17	100	330*30*22	500
SMT-012-150VTDSW	Aluminum(IP67)	12	12.5	150	330*32*23	650
SMT-024-150VTDSW	Aluminum(IP67)	24	6.25	150	330*32*23	650
SMT-012-150VTDSP	Plastic(IP20)	12	12.5	150	330*30*22	500
SMT-024-150VTDSP	Plastic(IP20)	24	6.25	150	330*30*22	500



Optional Model (J-Box 5 in 1 Dimmable LED Driver)

可选型号 (5合1 壳机一体 LED 驱动)

Model 型号	Cover Material 外壳材质	Output Voltage 输出电压 (Vdc)	Output Current 输出电流 (Amp)	Output power 输出功率 (Watt)	Product Size 尺寸 (mm)	N/W 净重 (g)
SMT-012-030VTDHV2	Metal Housing (NEMA 4X)	12	2.5	30	165*94.5*40	700
SMT-024-030VTDHV2		24	1.25	30	165*94.5*40	700
SMT-012-060VTDHV2		12	5	60	188*94.5*40	850
SMT-024-060VTDHV2		24	2.5	60	188*94.5*40	850
SMT-012-080VTDHV2		12	6.6	80	220*94.5*40	1300
SMT-024-080VTDHV2		24	3.3	80	220*94.5*40	1300
SMT-012-100VTDHV2		12	8.33	100	220*94.5*40	1300
SMT-024-096VTDHV2		24	4	96	220*94.5*40	1300
SMT-012-120VTDHV2		12	10	120	220*94.5*40	1300
SMT-024-120VTDHV2		24	5	120	220*94.5*40	1300
SMT-012-150VTDHV2		12	12.5	150	278*110*45	1800
SMT-024-150VTDHV2		24	6.25	150	278*110*45	1800
SMT-012-200VTDHV2		12	16.66	200	278*110*45	1800
SMT-024-200VTDHV2		24	8.33	200	278*110*45	1800
SMT-012-300VTDHV2		24	25	300	301*110*45	2000
SMT-024-300VTDHV2		12	12.5	300	301*110*45	2000



Optional Model (Standard Size 5 in 1 & Class 2 LED drivers)

可选型号 (5合1 Class 2 常规尺寸LED 驱动)

Model 型号	Cover Material 外壳材质	Output Voltage 输出电压 (Vdc)	Output Current 输出电流 (Amp)	Output power 输出功率 (Watt)	Product Size 尺寸 (mm)	N/W 净重 (g)
SMT-012-180VTD52	Aluminum(IP67)	12	15(multi 3x5A)	180W	256*78*47	1700
SMT-024-192VTD52	Aluminum(IP67)	24	8(multi 2x4A)	192W	256*78*47	1700
SMT-012-300VTD52	Aluminum(IP67)	12	25(multi 5x5A)	300W	276*78*47	1900
SMT-024-288VTD52	Aluminum(IP67)	24	12(multi 3x4A)	288W	276*78*47	1900
SMT-024-384VTD52	Aluminum(IP67)	12	16(multi 4x4A)	384W	322*78*44	2000
SMT-048-384VTD52	Aluminum(IP67)	24	8(multi 4x2A)	384W	322*78*44	2000



SMT- XXX - YYY VTD52 (Class 2)



SMT- XXX - YYY VTD52JV2 (Class 2)

Optional Model (J-Box 5 in 1 & Class 2 LED drivers)

可选型号 (5合1 Class 2 壳机一体LED 驱动)

Model 型号	Cover Material 外壳材质	Output Voltage 输出电压 (Vdc)	Output Current 输出电流 (Amp)	Output power 输出功率 (Watt)	Product Size 尺寸 (mm)	N/W 净重 (g)
SMT-012-180VTD52JV2	Aluminum(IP67)	12	15(multi 3x5A)	180	340*250*245	2300
SMT-024-192VTD52JV2	Aluminum(IP67)	24	8(multi 2x4A)	192	340*250*245	2300
SMT-012-300VTD52JV2	Aluminum(IP67)	12	25(multi 5x5A)	300	365*250*245	2500
SMT-024-288VTD52JV2	Aluminum(IP67)	24	12(multi 3x4A)	288	365*250*245	2500
SMT-024-384VTD52JV2	Aluminum(IP67)	12	16(multi 4x4A)	384	365*270*245	2600
SMT-048-384VTD52JV2	Aluminum(IP67)	24	8(multi 4x2A)	384	365*270*245	2600

Connecting Diagram

接线图

Using two ways of dimming at the same time, you must be assured that LED lighting is up to the max. Brightness then you could operate with the other dimming;

同时使用两种调光方式，一定要确保LED照明达到最大。亮度则可以与其他调光一起操作；

Using one dimming ---TRIAC/Phase cut dimming

调光方式 1: TRIAC/Phase cut调光

1.The Pulse-Width Modulation (PWM) of output voltage can be adjusted through input terminal of the AC phase line(L) by connection a phase /Triac dimmer of lighting system.

1.输出电压的脉宽调制 (PWM) 可以通过交流相线 (L) 的输入端连接照明系统的相位/可控硅调光器来调节。

2.Working with forward phase /leading edge ,MLV and Reverse phase /trailing edge ,ELV, TRIAC dimmers

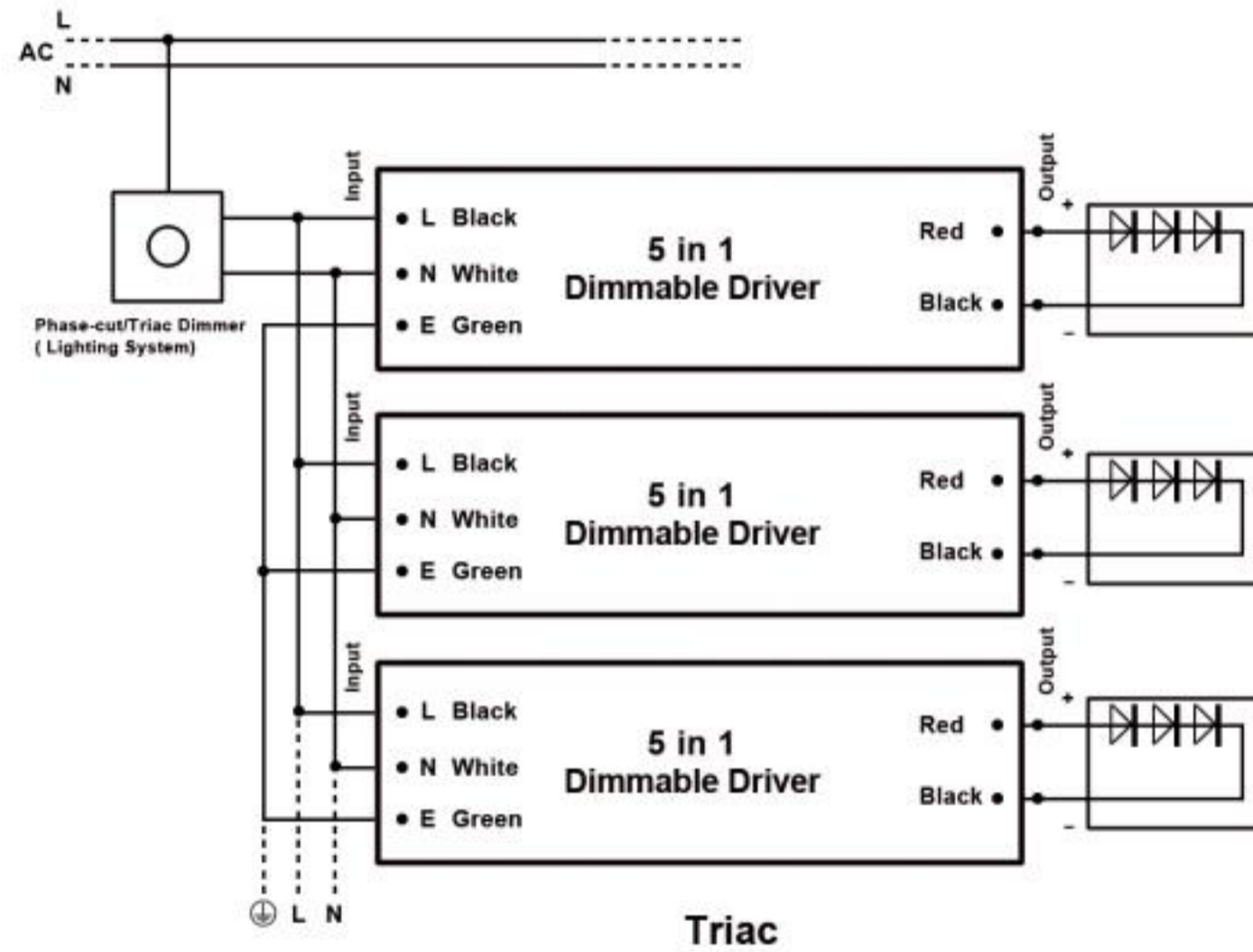
2.使用正相/前沿, MLV和反相/后沿, ELV, TRIAC调光器

3.Min loading is about 10%

3.最小负载约为10%

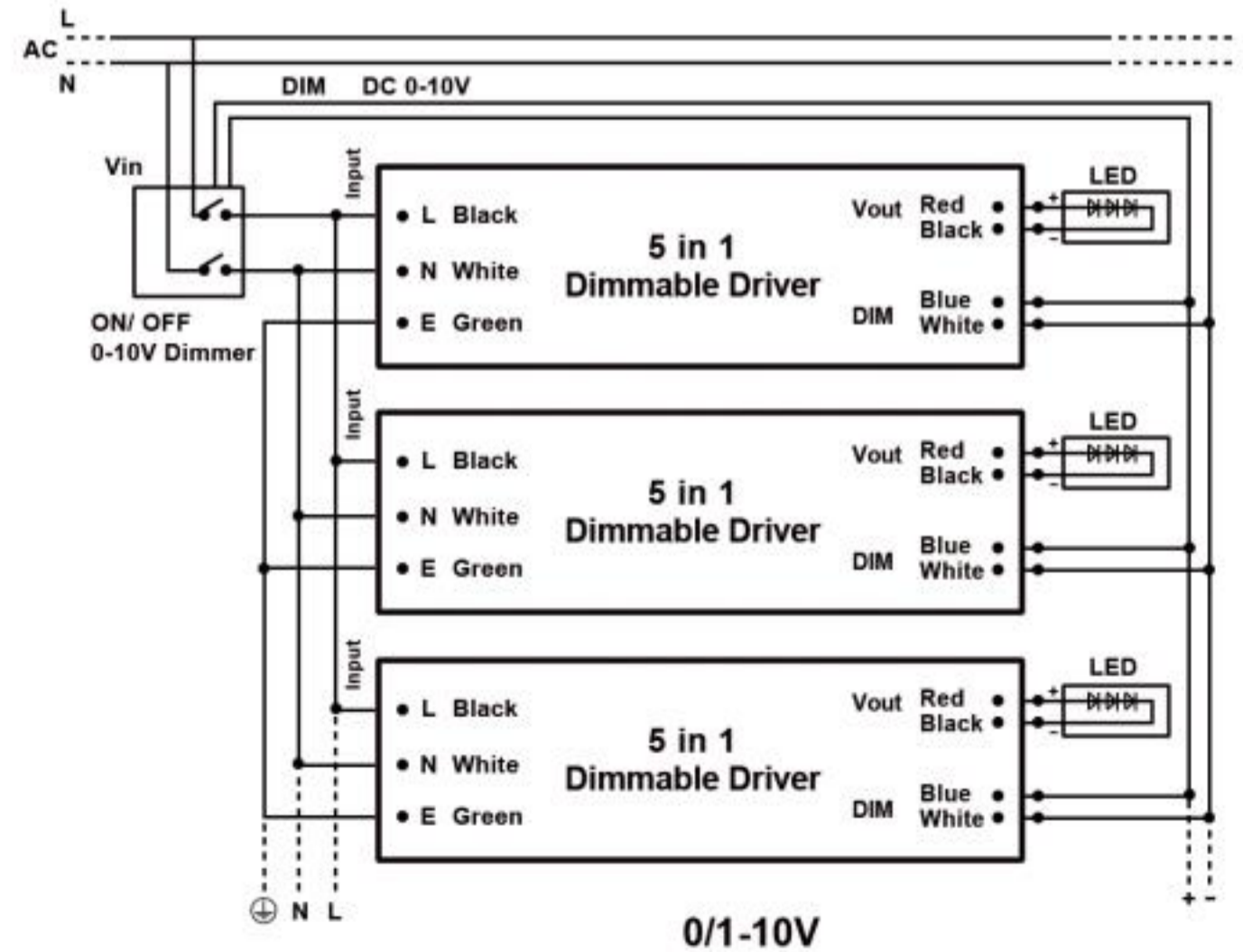
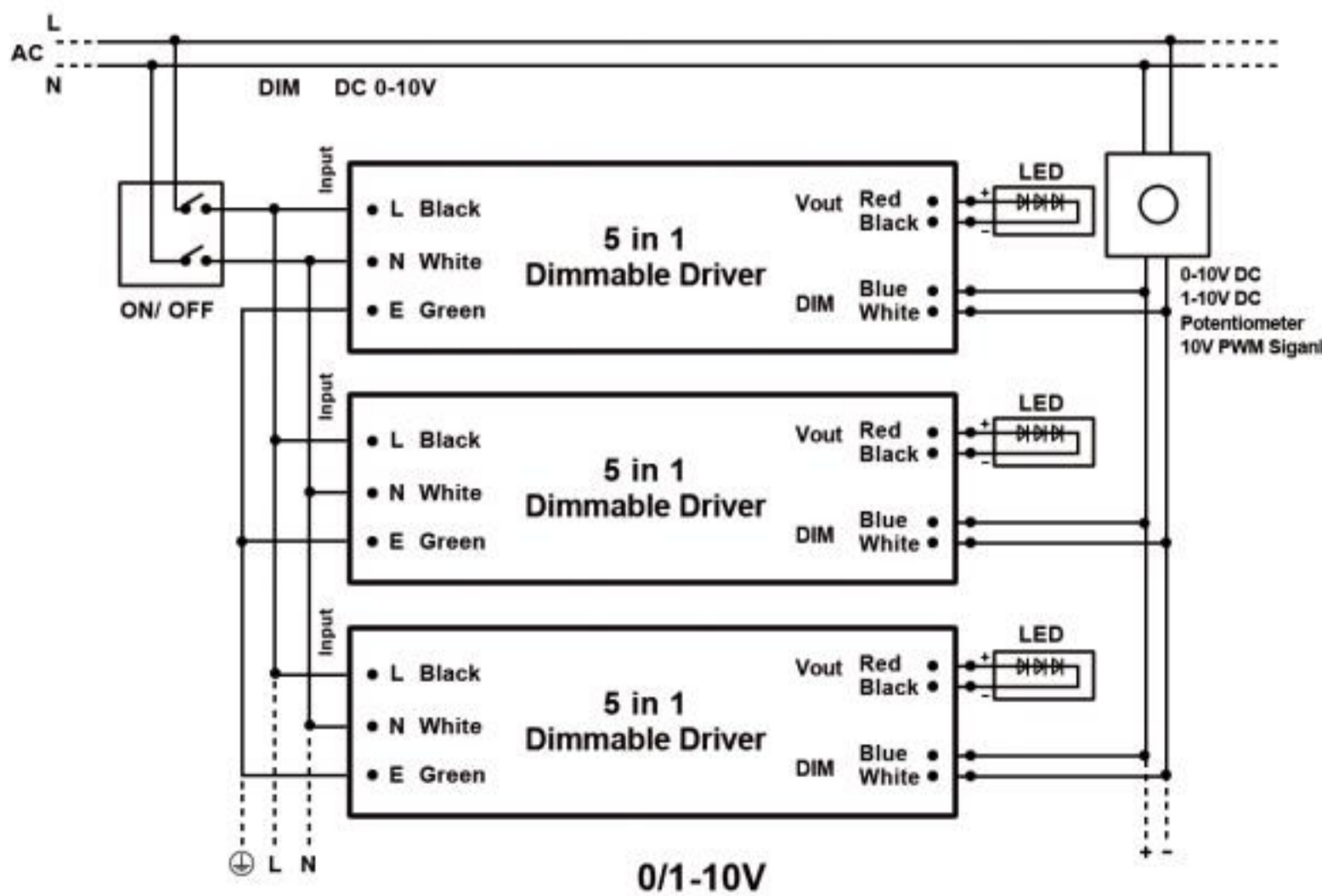
4.Please try to use dimmers with power at least 1.5 times as the output power of the driver.

4.请尽量使用功率至少为驱动器输出功率1.5倍的调光器。



Using one dimming ---0-10V/1-10V dimming:

调光方式 2: 0-10V/1-10V调光:



5 in 1 Dimmable Constant Voltage

Triac/0-10V/1-10V/Potentiometer/10V PWM 5 in 1 Dimmable LED Driver

(Output Voltage Adjustable / PWM & Voltage Reduce output Switchable)

可控硅&0-10V (5 合 1)调光电源【输出电压可调 / PWM和调压输出可切换】

Features

特性

- **Dim-all:** Triac/0-10V/1-10V/10V PWM/Potentiometer
 - ★ **Working Mode:** Switch to PWM or Voltage Reduce output
 - **Universal input:** 100-277Vac
 - **Dimming effect:**
 - Voltage Reduce mode:** 100%-0.01% dim, stepless dimming, flicker-free,
 - PWM dim mode:** 100-0.1% dim, flicker-free
 - **Triac dim mode:** Forward phase & reverse phase, MLV, ELV dim
 - Wet, damp, and dry location,
 - Title 24 JA8 compliant
 - Build in active PFC, typical power factor>0.95, THD<10%@120V Max. load
 - ★ **Constant voltage type, fine tune of output voltage**
 - Super low loading request, works perfect at 10-100% load.
 - Short-circuit, over-temperature, over-load protection.
 - 7 years warranty
 - UL cUL listed, Class 2, Class P, Type HL, FCC, NEMA 4X, CE, RoHs
- 调光方式:** 可控硅/0-10V/1-10V/10V PWM/电阻调光
- ★ **工作模式:** 可切换PWM或调压输出
- 通用输入:** 100-277Vac
- 调光效果:**
- 调压模式:** 100%-0.01%调光, 无级调光, 无闪烁
- PWM 调光模式:** 100-0.1% 调光, 无闪烁
- 可控硅调光模式:** 正相和反相、MLV、ELV 调光
- 适用于潮湿、潮湿和干燥的位置
- 兼容Title 24, JA8 标准
- 内置有源PFC, 典型功率因数>0.95, THD<10% @120V Max. load
- ★ **恒压型, 输出电压可微调**
- 超低负载要求, 在 10-100% 负载下完美运行
- 短路、过温、过载保护
- 7年保修
- 认证:** UL/cUL, Class 2, Class P, Type HL, FCC, NEMA 4X, CE, ROHS

Selling Points

卖点

- **1) Voltage Reduce Output**
 - √Dimming range: 100%-0.01% Ultra Deep Amplitude for long-term using, and slow down the speed of lumen depreciation.
 - √Works with single channel CCT warm-dim LED strip/tape (2 wires).
 - √The output voltage peak is in the affordable value of the LED during driver on/off and dimming, no harm to the LED
 - **2) Compatible PWM & Voltage Reduce output**
 - √compatible with RGBCW different LED fixture
 - √compatible with DC-DC design LED fixture, such as MR16, PAR, wall washer, linear lighting, LED strip/type
- 1) 调压输出**
- √ 调光范围: 100%-0.01% 超深调光, 长期使用, 减缓流明衰减速度。
- √适用于单通道2线芯的色温LED灯条/灯带。
- √驱动器开/关和调光时输出电压峰值在LED可承受值内, 对LED无伤害
- 2) 兼容PWM和调压输出**
- √兼容RGBCW不同的LED灯具
- √兼容DC-DC设计的LED灯具, 如MR16、PAR、洗墙灯、线性照明、LED灯条/类型

Application

应用

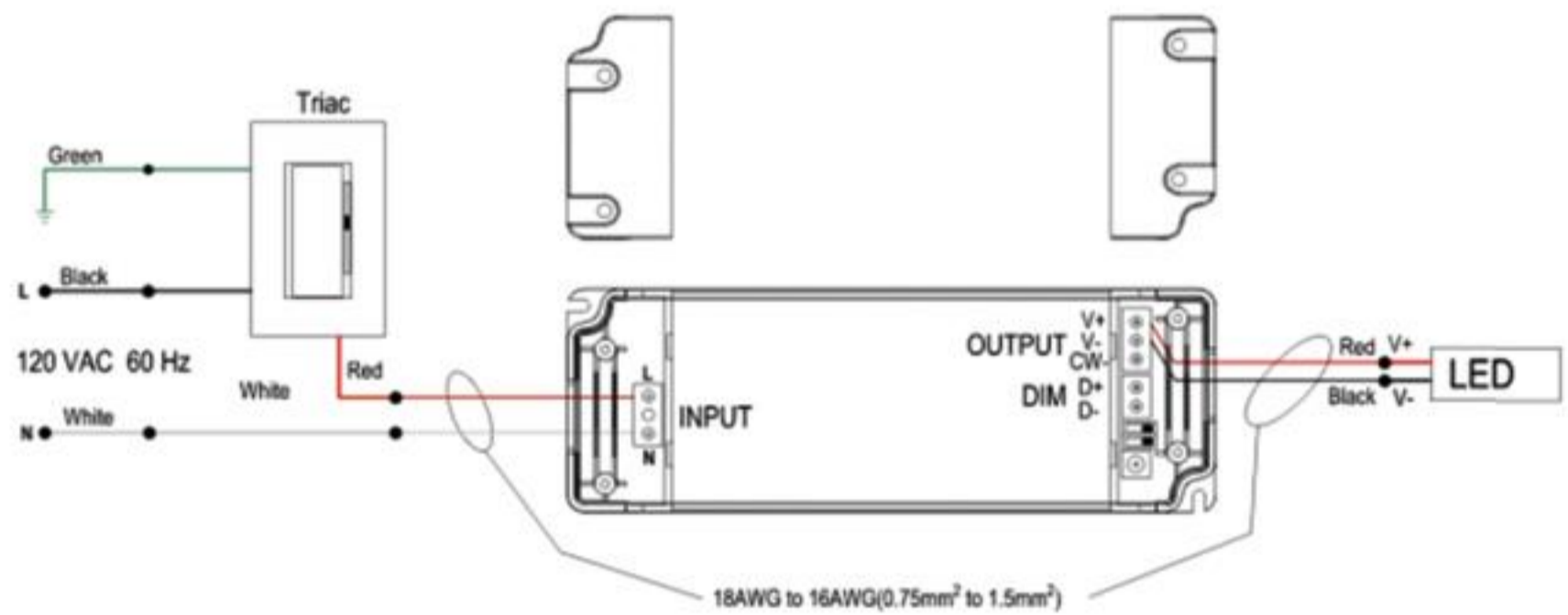
- LED strip/LED tape/LED module
 - Residential Lighting
 - Commercial Lighting
 - Indoor & outdoor LED illuminating lights.
 - LED Neon
 - LED City Decoration
- LED灯条/LED灯带/LED模组
- 住宅照明
- 商业照明
- 户内外LED照明灯光
- LED霓虹灯
- LED城市装饰灯

Model 型号	Cover Material 外壳材质	Output Voltage 输出电压 (Vdc)	Output Current 输出电流 (Amp)	Output Power 输出功率 (Watt)	Product Size 尺寸 (mm)	N/W 净重 (g)
SMT-12030-VTD-S	Plastic(IP20)	12V(9-13V adjustable)	2.5A	30W	158*54*20	240
SMT-24030-VTD-S		24V(17-25V adjustable)	1.25A			
SMT-36030-VTD-S		36V(27-37V adjustable)	0.83A			
SMT-48030-VTD-S		48V(36-49V adjustable)	0.62A			
SMT-12060-VTD-S	Plastic(IP20)	12V(9-13V adjustable)	5A	60W	212*56*24	390
SMT-24060-VTD-S		24V(17-25V adjustable)	2.5A			
SMT-36060-VTD-S		36V(27-37V adjustable)	1.66A			
SMT-48060-VTD-S		48V(36-49V adjustable)	1.25A			
SMT-12080-VTD-S	Plastic(IP20)	12V(9-13V adjustable)	6.6A	80W	212*56*24	390
SMT-24080-VTD-S		24V(17-25V adjustable)	3.3A			
SMT-36080-VTD-S		36V(27-37V adjustable)	2.22A			
SMT-48080-VTD-S		48V(36-49V adjustable)	1.66A			
SMT-24096-VTD-S	Plastic(IP20)	24V(17-25V adjustable)	4A	96W	212*56*24	390
SMT-48096-VTD-S		48V(36-49V adjustable)	2A			
SMT-12100-VTD-S	Plastic(IP20)	12V(9-13V adjustable)	8.33A	100W	212*56*24	390
SMT-24100-VTD-S		24V(17-25V adjustable)	4.17A			
SMT-36100-VTD-S		36V(27-37V adjustable)	2.77A			
SMT-48100-VTD-S		48V(36-49V adjustable)	2.08A			
SMT-12120-VTD-L	Aluminum (IP67)	12V(9-13V adjustable)	10A	120W	273.4*78*46	1730
SMT-24120-VTD-L		24V(17-25V adjustable)	5A			
SMT-36120-VTD-L		36V(27-37V adjustable)	3.33A			
SMT-48120-VTD-L		48V(36-49V adjustable)	2.5A			
SMT-12150-VTD-L	Aluminum (IP67)	12V(9-13V adjustable)	12.5A	150W	273.4*78*46	1730
SMT-24150-VTD-L		24V(17-25V adjustable)	6.25A			
SMT-36150-VTD-L		36V(27-37 Vadjustable)	4.16A			
SMT-48150-VTD-L		48V(36-49 Vadjustable)	3.15A			
SMT-12200-VTD-L	Aluminum (IP67)	12V(9-13 Vadjustable)	16.67A	200W	273.4*78*46	1730
SMT-24200-VTD-L		24V(17-25 Vadjustable)	8.33A			
SMT-36200-VTD-L		36V(27-37 Vadjustable)	5.55A			
SMT-48200-VTD-L		48V(36-49 Vadjustable)	4.16A			
SMT-12300-VTD-L	Aluminum (IP67)	12V(9-13 Vadjustable)	25A	300W	304.4*78*46	1730
SMT-24300-VTD-L		24V(17-25 Vadjustable)	12.5A			
SMT-36300-VTD-L		36V(27-37 Vadjustable)	8.33A			
SMT-48300-VTD-L		48V(36-49 Vadjustable)	6.25A			
High Power Class2 120W-340W						
SMT-12120-VTD2C-L (Multi 2x60W)	Aluminum (IP67)	12V(9-13 Vadjustable)	Multi 2x5A	120W (Class 2)	273.4*78*46	1730
SMT-12180-VTD3C-L (Multi 3x60W)		12V(9-13 Vadjustable)	Multi 3x5A	180W (Class 2)	273.4*78*46	1730
SMT-24192-VTD2C-L (Multi 2x96W)		24V(17-25 Vadjustable)	Multi 2x4A	192W (Class 2)	273.4*78*46	1730
SMT-48192-VTD2C-L (Multi 2x96W)		48V(36-49 Vadjustable)	Multi 2x2A			
SMT-24288-VTD3C-L (Multi 3x96W)		24V(17-25 Vadjustable)	Multi 3x4A			
SMT-36288-VTD3C-L (Multi 3x96W)		36V(27-37 Vadjustable)	Multi 3x2.66A	288W (Class 2)	304.4*78*48	2050
SMT-48288-VTD3C-L (Multi 3x96W)		48V(36-49 Vadjustable)	Multi 3x2A			
SMT-12300-VTD5C-L (Multi 5x60W)		12V(9-13 Vadjustable)	Multi 5x5A	300W (Class 2)	304.4*78*48	2050
SMT-24340-VTD4C-L (Multi4x85W)		24V(17-25 Vadjustable)	Multi4x3.54A	340W (Class 2)	304.4*78*48	2050
SMT-48340-VTD4C-L (Multi4x85W)		48V(36-49 Vadjustable)	Multi4x1.77A			

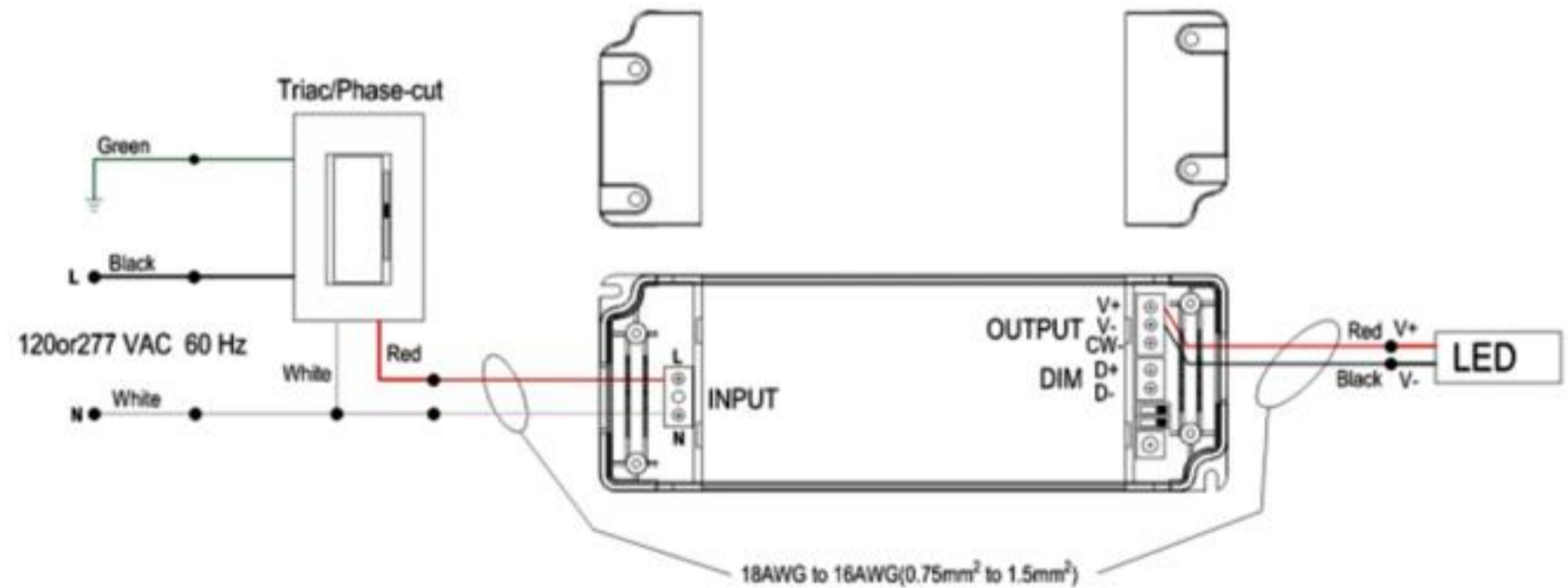


Wiring Diagram(30W-100W) 接线图(30W-100W)

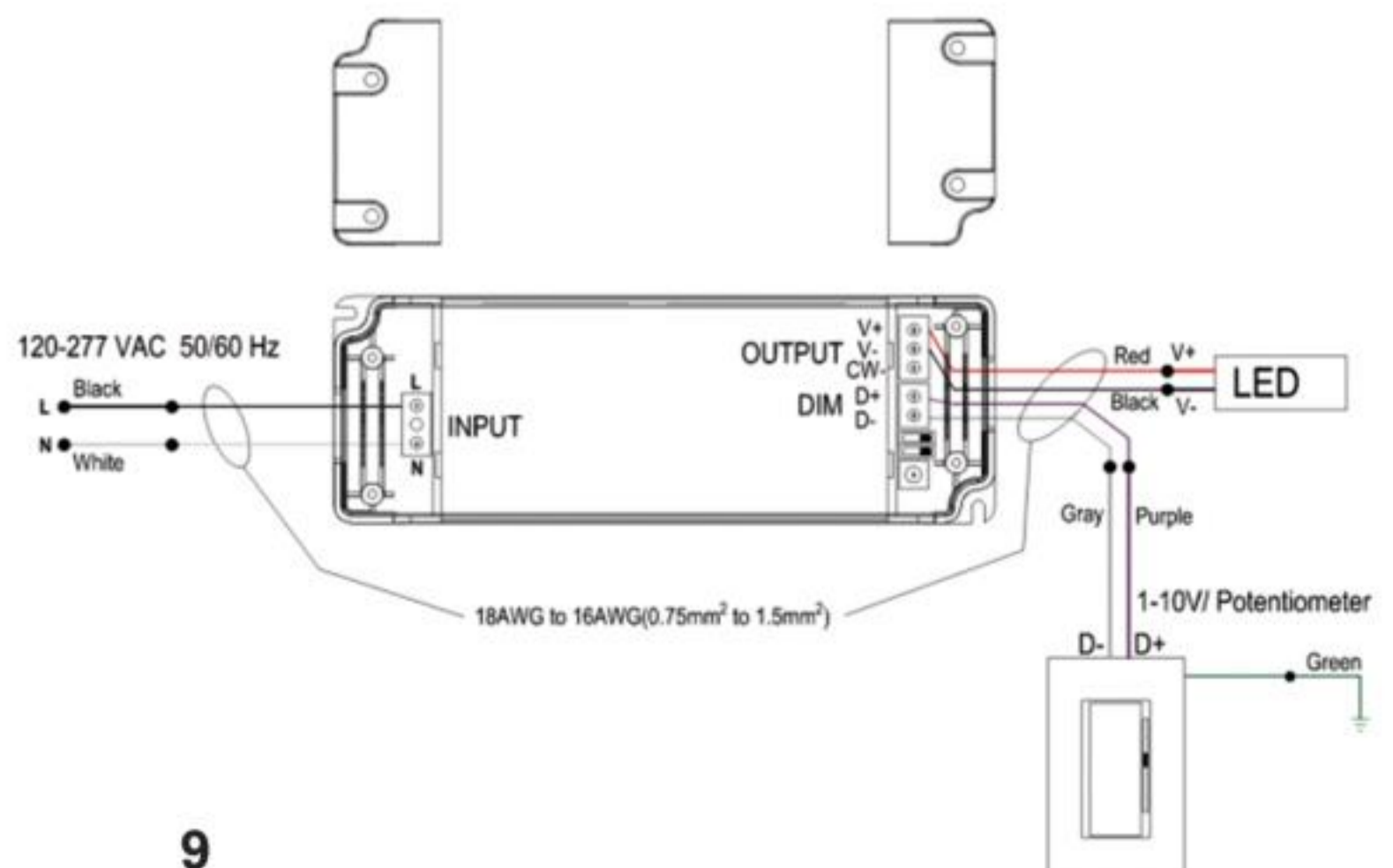
- 1) Triac dimming -Triac/MLV load type
Notice: Not request neutral wire of dimmer.
1) 可控硅调光-可控硅/MLV负载型
注意：不要求调光器的零线。



- 2) Triac dimming- ELV load type
Notice: Normally request neutral wire of dimmer.
2) 双向可控硅调光-ELV负载型
注意：通常要求调光器的零线。



- 3) 0-10V dimming-only dimming
Notice: The dimmer can't cut off the power in this connecting way.
3) 0-10V 调光
注意：调光器不能以这种连接方式切断电源。

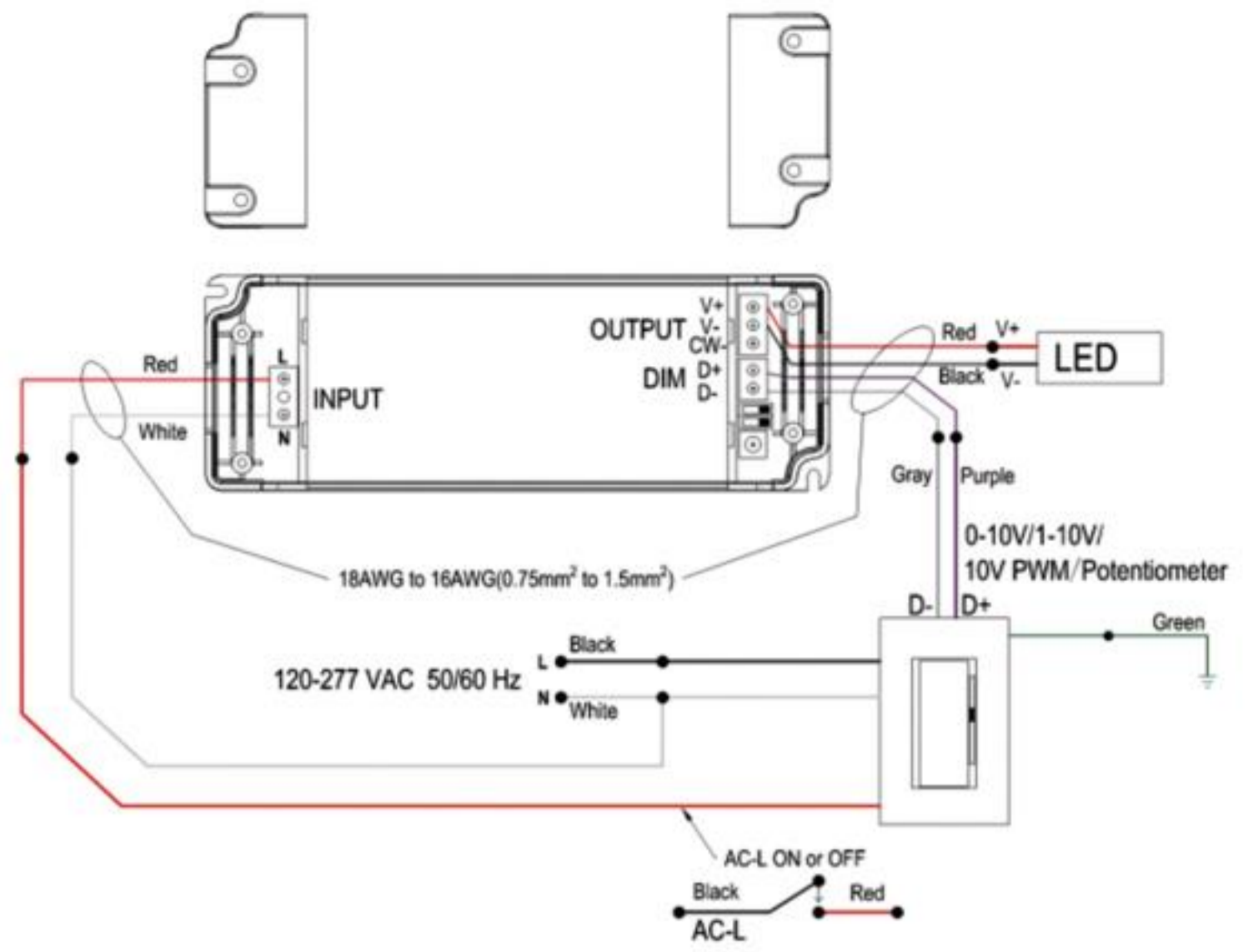


4)0-10V dimming-only dimming

Notice: The dimmer can cut off the power in this connecting way.

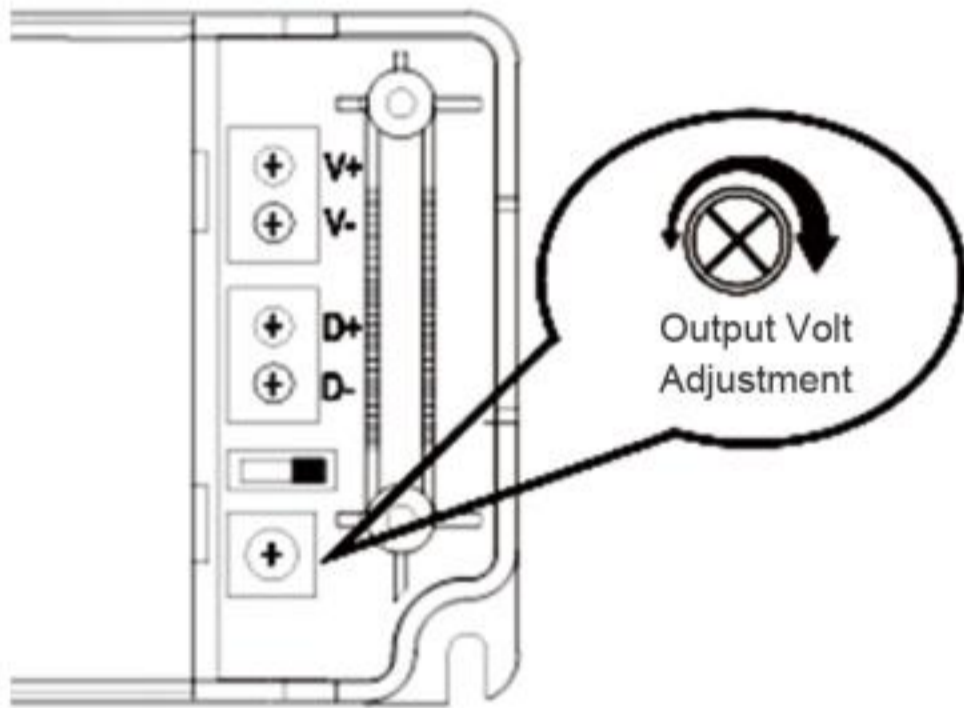
3)0-10V 调光

注意：调光器不能以这种连接方式切断电源。



Fine tune output voltage

微调输出电压



NOTES:

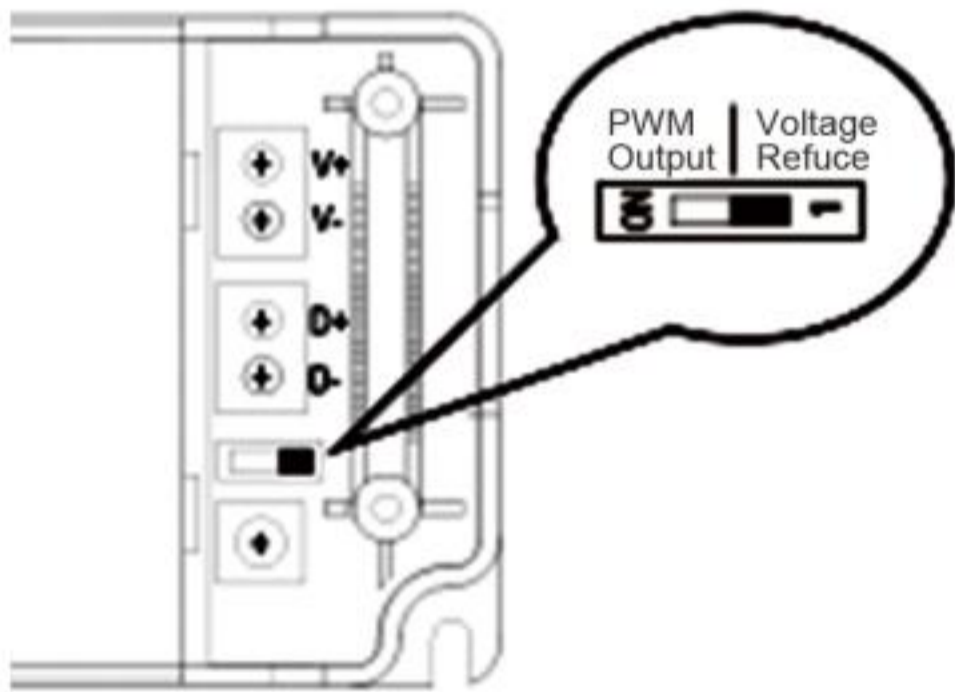
- 1.Remove the output cover and screw it to fine tune the output voltage. See below fine tune range
12V output: 9V-13V
24V output: 17V-25V

注意：

- 1.取下输出盖并拧紧以微调输出电压。见下文微调范围
12V输出：9V-13V
24V输出：17V-25V

Switch to PWM output or voltage reduce dimming mode

切换到 PWM 输出或调压调光模式



NOTES:

- 1) Switch to "ON", the driver is PWM output mode.
- 2) Switch to "1", the driver is voltage reduce mode.

注意：

- 1) 切换到 "ON"，驱动器为PWM输出模式。
- 2) 切换到 "1"，驱动器为调压模式。

Product Display

产品展示





Wiring Diagram(120W-300W)

接线图(120W-300W)

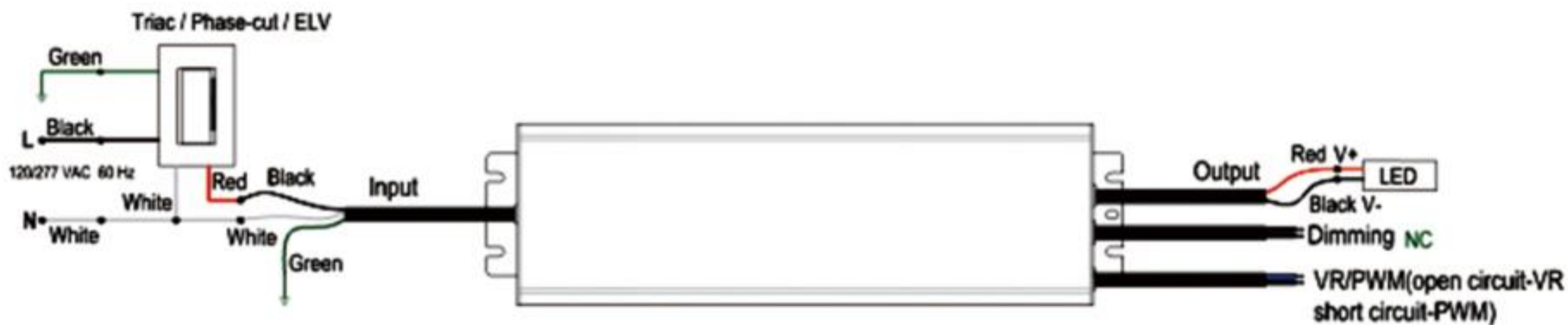
1) Triac dimming -Triac/MLV load type
Note: Not request neutral wire of dimmer.

1) 可控硅调光-可控硅/MLV负载类型
注意：不要求调光器的零线。



2) Triac dimming- ELV load type
Note: Normally request neutral wire of dimmer.

2) 可控硅调光-可控硅/ELV负载类型
注意：不要求调光器的零线。



3) 0-10V dimming-only dimming
Note: The dimmer can't cut off the power in this connecting way.

3) 0-10V 调光
注意：此连接方式调光器不能断电。

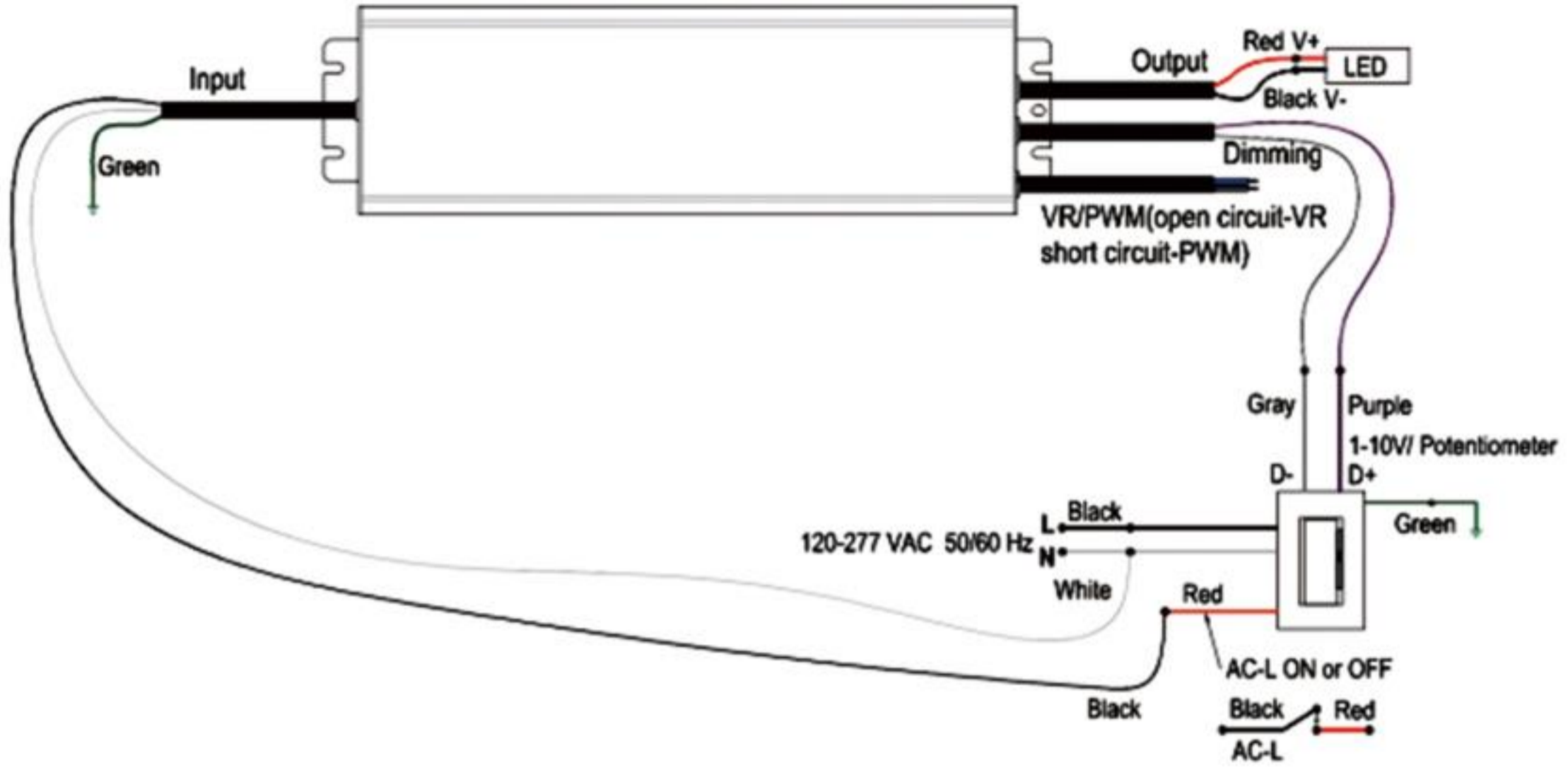


4) 0-10V dimming-only dimming

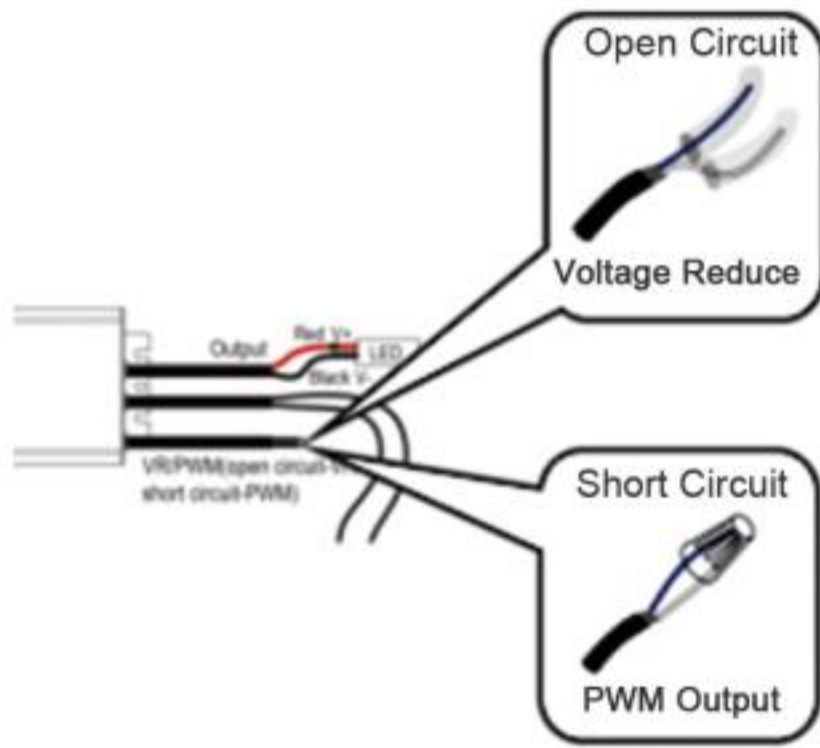
Note: The dimmer can cut off the power in this connecting way.

4) 0-10V 调光

注意：调光器可以通过这种连接方式切断电源。



Switch to PWM output or voltage reduce dimming mode
切换到 PWM 输出或调压输出模式



NOTES:

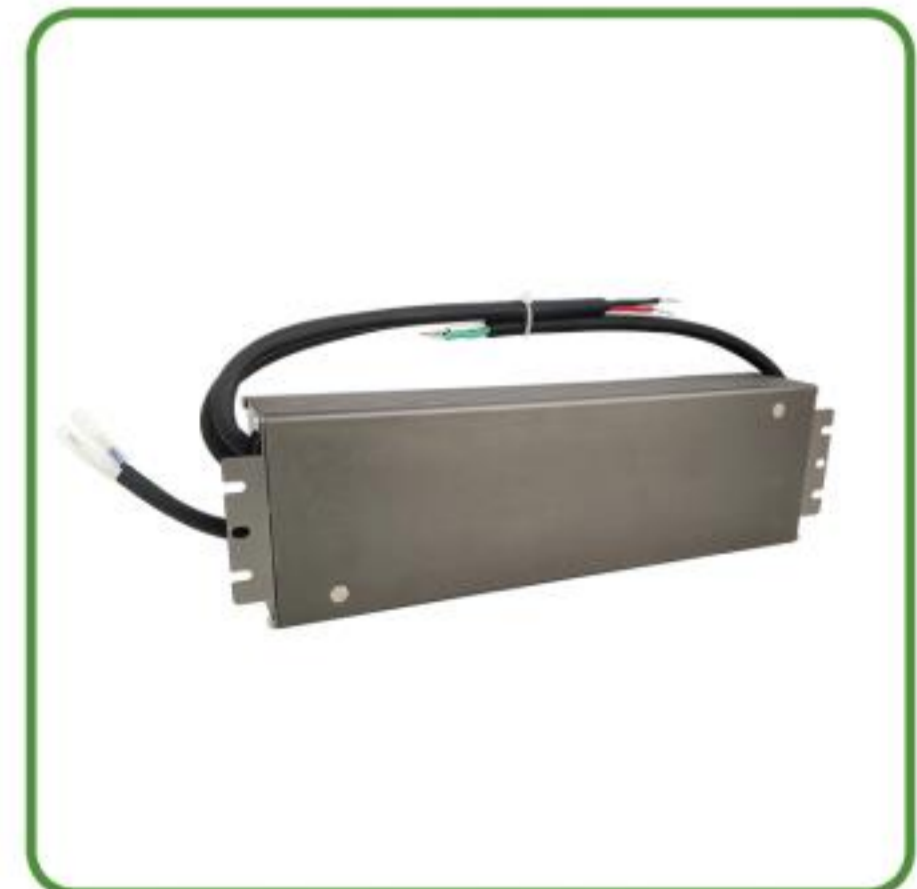
1. Short circuit the blue and white wire, the driver is PWM output mode.
2. Open circuit the blue and white wire, the driver is voltage reduce mode.

注意：

1. 短接蓝白线，电源为PWM输出模式。
2. 蓝白线开路，电源器为调压输出模式。

Product Display

产品展示



5 in 1 Dimmable Constant Voltage

Triac/0-10V/1-10V/Potentiometer/10V PWM 5 in 1 Dimmable J-Box LED Driver

(Output Voltage Adjustable / PWM & Voltage Reduce output Switchable)

可控硅&0-10V (5 合 1)调光壳机一体电源【输出电压可调 / PWM和调压输出可切换】

Features

特性

- **Dim-all:** Triac/0-10V/1-10V/10V PWM/Potentiometer
 - ★ **Working Mode:** Switch to PWM or Voltage Reduce output
 - **Universal input:** 100-277Vac
 - **Dimming effect:**
 - Voltage Reduce mode:** 100%-0.01% dim, stepless dimming, flicker-free,
 - PWM dim mode:** 100-0.1% dim, flicker-free
 - **Triac dim mode:** Forward phase & reverse phase, MLV, ELV dim
 - Wet, damp, and dry location,
 - Title 24 JA8 compliant
 - Build in active PFC, typical power factor > 0.95, THD < 10% @ 120V Max. load
 - ★ **Constant voltage type, fine tune of output voltage**
 - Super low loading request, works perfect at 10-100% load.
 - Short-circuit, over-temperature, over-load protection.
 - Exclusive patent design of "Clamshell" junction box
 - Flexible wiring compartment to adjust the AC & DC wiring space
 - 7 years warranty
 - UL cUL listed, Class 2, Class P, Type HL, FCC,
- 调光方式:** 可控硅/0-10V/1-10V/10V PWM/电阻调光
- ★ **工作模式:** 可切换PWM或调压输出
- 通用输入:** 100-277Vac
- 调光效果:**
- 调压模式:** 100%-0.01%调光, 无级调光, 无闪烁
- PWM 调光模式:** 100-0.1% 调光, 无闪烁
- 可控硅调光模式:** 正相和反相、MLV、ELV 调光
- 适用于潮湿、潮湿和干燥的位置
- 兼容Title 24, JA8 标准
- 内置有源PFC, 典型功率因数 > 0.95, THD < 10% @ 120V Max. load
- ★ **恒压型, 输出电压微调**
- 超低负载要求, 在 10-100% 负载下完美运行
- 短路、过温、过载保护
- "翻盖" 接线盒专利设计
- 灵活的接线隔间, 可调节交直流接线空间
- 7年保修
- 认证:** UL/cUL, Class 2, Class P, Type HL, FCC, NEMA 4X, CE, ROHS

Selling Points

卖点

- **1) Voltage Reduce Output**
 - √ Dimming range: 100%-0.01% Ultra Deep Amplitude for long-term using, and slow down the speed of lumen depreciation.
 - √ Works with single channel CCT warm-dim LED strip/tape (2 wires).
 - √ The output voltage peak is in the affordable value of the LED during driver on/off and dimming, no harm to the LED
 - **2) Compatible PWM & Voltage Reduce output**
 - √ compatible with RGBCW different LED fixture
 - √ compatible with DC-DC design LED fixture, such as MR16, PAR, wall washer, linear lighting, LED strip/type
- 1) 调压输出**
- √ 调光范围: 100%-0.01% 超深调光, 长期使用, 减缓流明衰减速度。
- √ 适用于单通道2线芯的色温LED灯条/灯带。
- √ 驱动器开/关和调光时输出电压峰值在LED可承受值内, 对LED无伤害
- 2) 兼容PWM和调压输出**
- √ 兼容RGBCW不同的LED灯具
- √ 兼容DC-DC设计的LED灯具, 如MR16、PAR、洗墙灯、线性照明、LED灯条/类型

Application

应用

- LED strip/LED tape/LED module
 - Residential Lighting
 - Commercial Lighting
 - Indoor & outdoor LED illuminating lights.
 - LED Neon
 - LED City Decoration
- LED灯条/LED灯带/LED模组
- 住宅照明
- 商业照明
- 户内外LED照明
- LED霓虹灯
- LED城市装饰灯

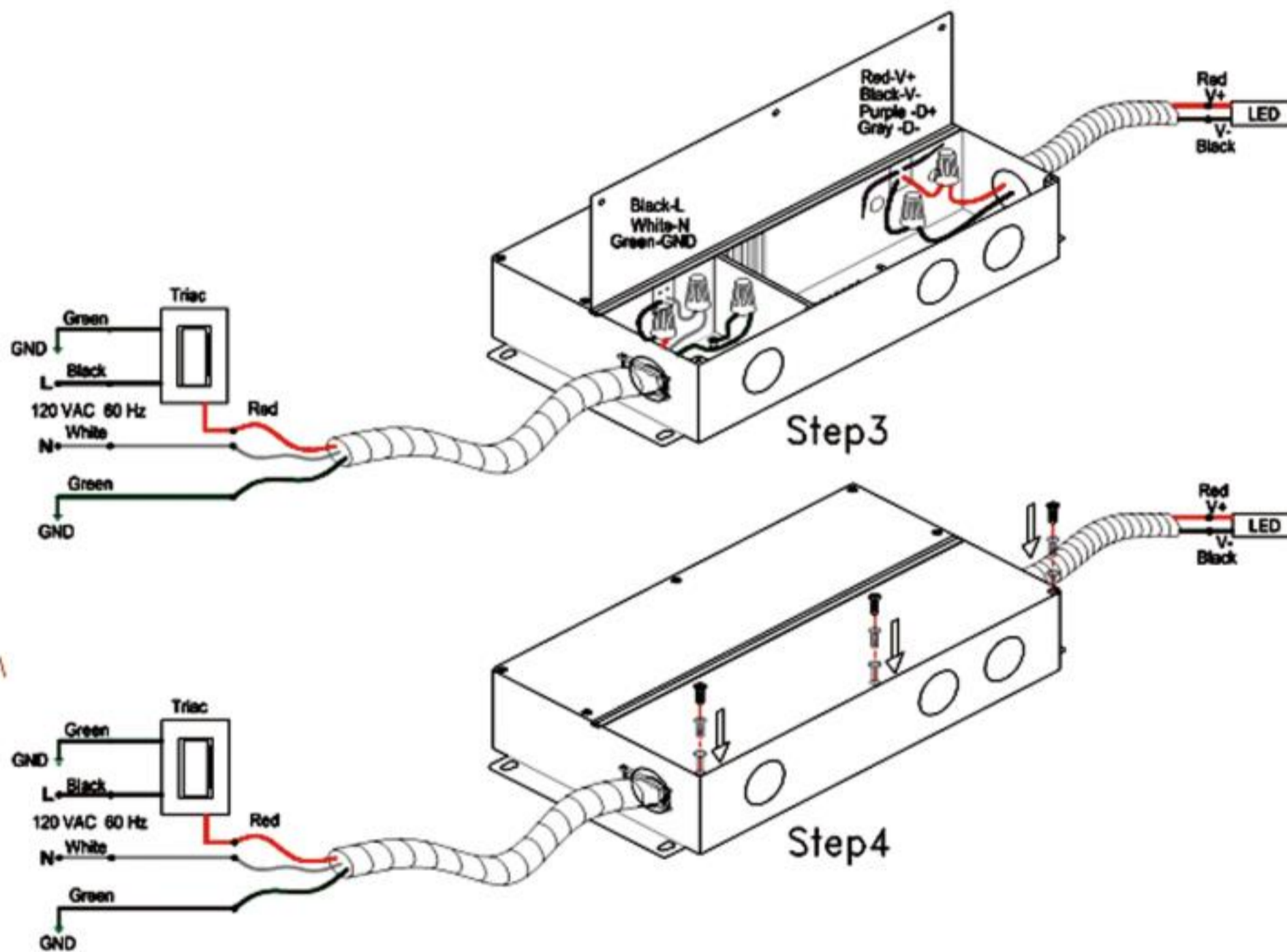
Model 型号	Cover Material 外壳材质	Output Voltage 输出电压 (Vdc)	Output Current 输出电流 (Amp)	Output Power 输出功率 (Watt)	Product Size 尺寸 (mm)	N/W 净重 (g)
SMT-12030-VTDHV3	Metal Housing (NEMA 4X)	12V(9-13V adjustable)	2.5A	30W	170.5*116*42	850
SMT-24030-VTDHV3		24V(17-25V adjustable)	1.25A			
SMT-36030-VTDHV3		36V(27-37V adjustable)	0.83A			
SMT-48030-VTDHV3		48V(36-49V adjustable)	0.62A	60W	226.5*117.5*42.5	1000
SMT-12060-VTDHV3		12V(9-13V adjustable)	5A			
SMT-24060-VTDHV3		24V(17-25V adjustable)	2.5A			
SMT-36060-VTDHV3		36V(27-37V adjustable)	1.66A	80W	226.5*117.5*42.5	1000
SMT-48060-VTDHV3		48V(36-49V adjustable)	1.25A			
SMT-12080-VTDHV3		12V(9-13V adjustable)	6.6A			
SMT-24080-VTDHV3		24V(17-25V adjustable)	3.3A	96W	226.5*117.5*42.5	1000
SMT-36080-VTDHV3		36V(27-37V adjustable)	2.22A			
SMT-48080-VTDHV3		48V(36-49V adjustable)	1.66A			
SMT-24096-VTDHV3		24V(17-25V adjustable)	4A	100W	226.5*117.5*42.5	1000
SMT-48096-VTDHV3		48V(36-49V adjustable)	2A			
SMT-12100-VTDHV3		12V(9-13V adjustable)	8.33A			
SMT-24100-VTDHV3		24V(17-25V adjustable)	4.17A	120W	254*132*42.5	1860
SMT-36100-VTDHV3		36V(27-37V adjustable)	2.77A			
SMT-48100-VTDHV3		48V(36-49V adjustable)	2.08A			
SMT-12120-VTDHV3		12V(9-13V adjustable)	10A	150W	254*132*42.5	1860
SMT-24120-VTDHV3		24V(17-25V adjustable)	5A			
SMT-36120-VTDHV3		36V(27-37V adjustable)	3.33A			
SMT-48120-VTDHV3		48V(36-49V adjustable)	2.5A	200W	254*132*42.5	1860
SMT-12150-VTDHV3		12V(9-13V adjustable)	12.5A			
SMT-24150-VTDHV3		24V(17-25V adjustable)	6.25A			
SMT-36150-VTDHV3		36V(27-37V adjustable)	4.16A	300W	289*132*49	2150
SMT-48150-VTDHV3		48V(36-49V adjustable)	3.15A			
SMT-12200-VTDHV3		12V(9-13V adjustable)	16.67A			
SMT-24200-VTDHV3		24V(17-25V adjustable)	8.33A	300W	289*132*49	2150
SMT-36200-VTDHV3		36V(27-37V adjustable)	5.55A			
SMT-48200-VTDHV3		48V(36-49V adjustable)	4.16A			
SMT-12300-VTDHV3	12V(9-13V adjustable)	25A	300W	289*132*49	2150	
SMT-24300-VTDHV3	24V(17-25V adjustable)	12.5A				
SMT-36300-VTDHV3	36V(27-37V adjustable)	8.33A				
SMT-48300-VTDHV3	48V(36-49V adjustable)	6.25A	High Power Class2 120W-340W			
SMT-12120-VTDH2CV3 (Multi 2x60W)	Metal Housing (NEMA 4X)	12V(9-13 Vadjustable)	Multi 2x5A	120W (Class 2)	254*132*42.5	1860
SMT-12180-VTDH3CV3 (Multi 3x60W)		12V(9-13 Vadjustable)	Multi 3x5A	180W (Class 2)	254*132*42.5	1860
SMT-24192-VTDH2CV3 (Multi 2x96W)		24V(17-25 Vadjustable)	Multi 2x4A	192W (Class 2)	254*132*42.5	1860
SMT-48192-VTDH2CV3 (Multi 2x96W)		48V(36-49 Vadjustable)	Multi 2x2A			
SMT-24288-VTDH3CV3 (Multi 3x96W)		24V(17-25 Vadjustable)	Multi 3x4A	288W (Class 2)	289*132*42.5	2150
SMT-36288-VTDH3CV3 (Multi 3x96W)		36V(27-37 Vadjustable)	Multi 3x2.66A			
SMT-48288-VTDH3CV3 (Multi 3x96W)		48V(36-49 Vadjustable)	Multi 3x2A			
SMT-12300-VTDH5CV3 (Multi 5x60W)		12V(9-13 Vadjustable)	Multi 5x5A	300W (Class 2)	289*132*42.5	2150
SMT-24340-VTDH4CV3 (Multi4x85W)		24V(17-25 Vadjustable)	Multi4x3.54A	340W (Class 2)	289*132*42.5	2150
SMT-48340-VTDH4CV3 (Multi4x85W)		48V(36-49 Vadjustable)	Multi4x1.77A			



Wiring Diagram 接线图

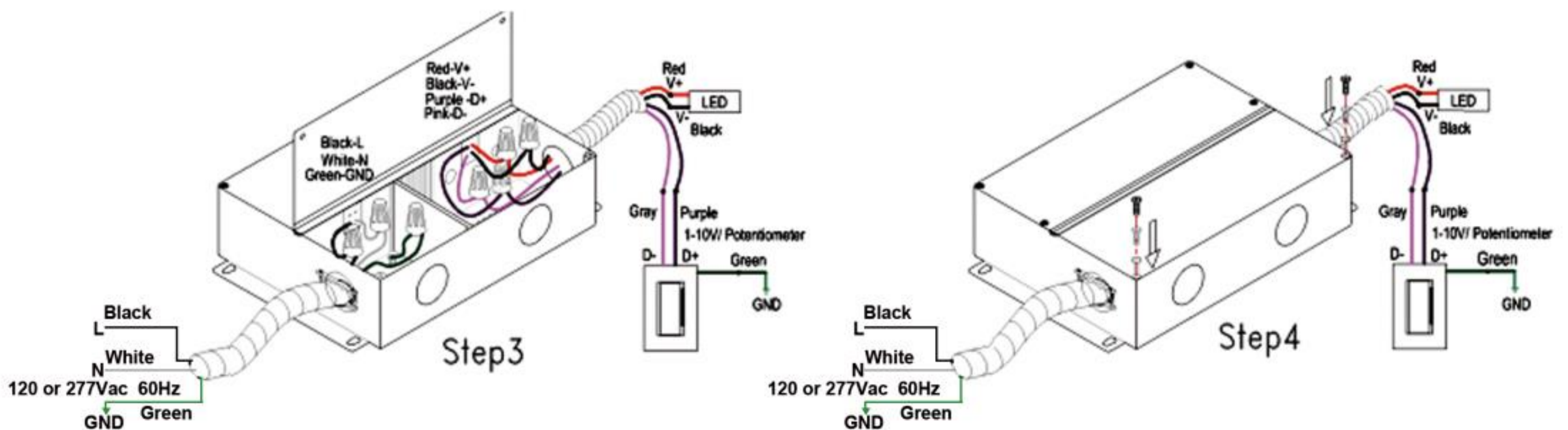
1) Triac dimming -Triac/MLV load type
Note: Not request neutral wire of dimmer.

1) 可控硅调光-可控硅/MLV负载类型
注意：不要求调光器的零线。



2) 0-10V dimming-only dimming
Note: The dimmer can't cut off the power in this connecting way.

3) 0-10V 调光
注意：此连接方式调光器不能断电。

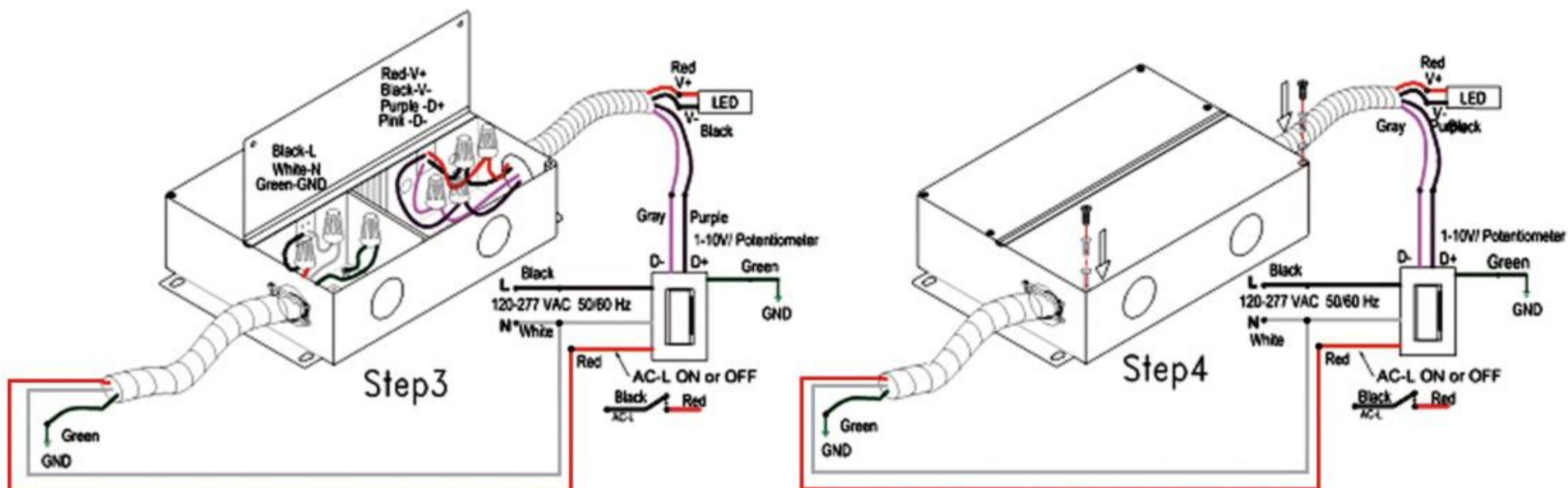


3) 0-10V dimming-only dimming

Note: The dimmer can cut off the power in this connecting way.

4) 0-10V 调光

注意：调光器可以通过这种连接方式切断电源。

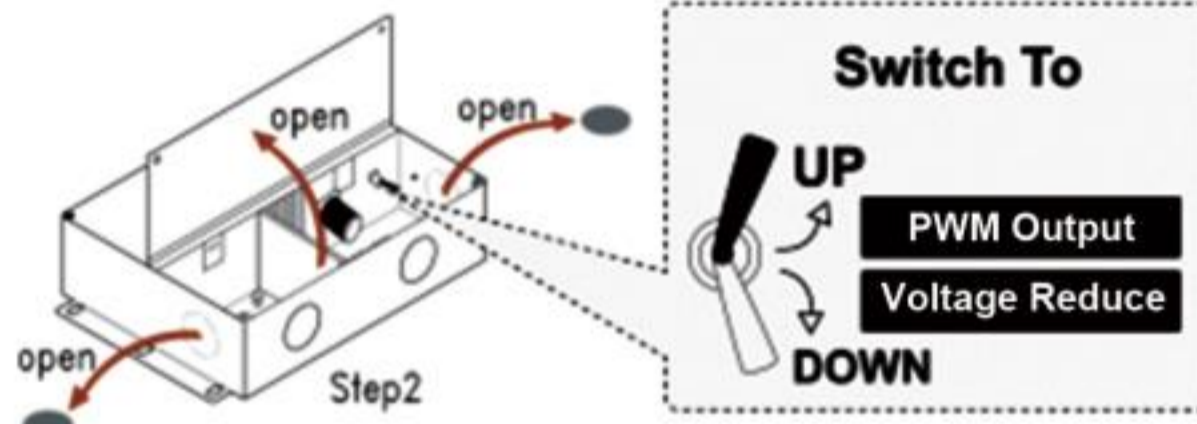
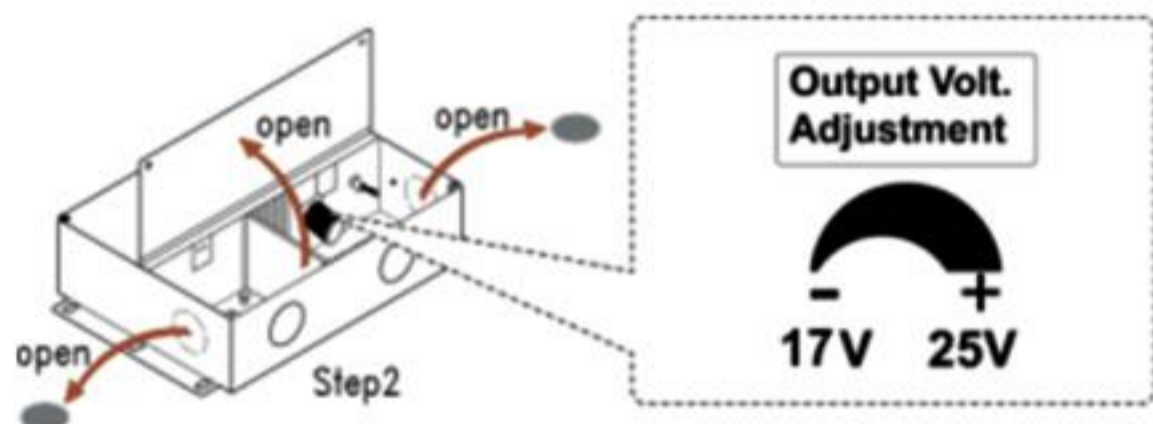


Fine Tune Voltage

微调电压

Switch to Different Output Mode

切换到不同的输出模式



See below fine tune range:

12V output: 9V-13V
24V output: 17V-25V

见以下微调范围：

12V输出：9V-13V
24V输出：17V-25V

Push up: PWM output mode

Push down: Voltage reduce mode

上推：PWM输出方式

下推：调压模式

Product Display

产品展示



CCT & 5 in 1 Dimmable Constant Voltage

CCT & 5 in 1 (Triac, 0-10V, 1-10V, Resistor, 10V PWM) Dimmable LED Driver

(Output Voltage Adjustable / PWM & Voltage Reduce output Switchable)

可控硅&0-10V (5 合 1) 双色调光电源【输出电压可调 / PWM和调压输出可切换】

Features

特性

- **Dim-all:** Triac/0-10V/1-10V/10V PWM/Potentiometer
 - ★ **Working Mode:** Switch to PWM or Voltage Reduce output
 - **Universal input:** 100-277Vac
 - **Dimming effect:**
 - Voltage Reduce mode:** 100%-0.01% dim, stepless dimming, flicker-free,
 - PWM dim mode:** 100-0.1% dim, flicker-free
 - **Triac dim mode:** Forward phase & reverse phase, MLV, ELV dim
 - Wet, damp, and dry location,
 - Title 24 JA8 compliant
 - Build in active PFC, typical power factor > 0.95, THD < 10% @ 120V Max. load
 - ★ **Constant voltage type, fine tune of output voltage**
 - Super low loading request, works perfect at 10-100% load.
 - Short-circuit, over-temperature, over-load protection.
 - 7 years warranty
 - UL cUL listed, Class 2, Class P, Type HL, FCC, NEMA 4X, CE, RoHs
- 调光方式:** 可控硅/0-10V/1-10V/10V PWM/电阻调光
- ★ **工作模式:** PWM输出与调压输出可切换
- 通用输入:** 100-277Vac
- 调光效果:**
- 调压模式:** 100%-0.01%调光, 无级调光, 无闪烁
- PWM 调光模式:** 100-0.1% 调光, 无闪烁
- 可控硅调光模式:** 正相和反相、MLV、ELV 调光
- 适用于潮湿、潮湿和干燥的位置
- 兼容Title 24, JA8标准
- 内置有源PFC, 典型功率因数 > 0.95, THD < 10% @ 120V Max. load
- ★ **恒压型, 输出电压微调**
- 超低负载要求, 在 10-100% 负载下完美运行
- 短路、过温、过载保护
- 7年保修
- 认证:** UL/cUL, Class 2, Class P, Type HL, FCC, NEMA 4X, CE, ROHS

Selling Points

卖点

- **1) Voltage Reduce Output**
 - √Dimming range: 100%-0.01% Ultra Deep Amplitude
 - √The output voltage peak is in the affordable value of the LED during driver on/off and dimming, no harm to the LED for long-term using, and slow down the speed of lumen depreciation.
 - √Works with single channel and two channel CCT warm-dim LED strip/tape (2/3 wires).
 - **2) Compatible PWM & Voltage Reduce output**
 - √compatible with RGBCW different LED fixture
 - √compatible with DC-DC design LED fixture, such as MR16, PAR, wall washer, linear lighting, LED strip/type
- 1) 降压输出**
- √调光范围: 100%-0.01% 超深幅度。
- √驱动开/关及调光时输出电压峰值在LED可承受值, 对LED长期使用无伤害, 减缓流明衰减速度。
- √适用于单通道和两通道 CCT 暖调光 LED 灯条/灯带 (2/3 线)。
- 2) 兼容PWM和降压输出**
- √兼容RGBCW不同的LED灯具
- √兼容DC-DC设计的LED灯具, 如MR16、PAR、洗墙灯、线性照明、LED灯条/类型

Application

应用

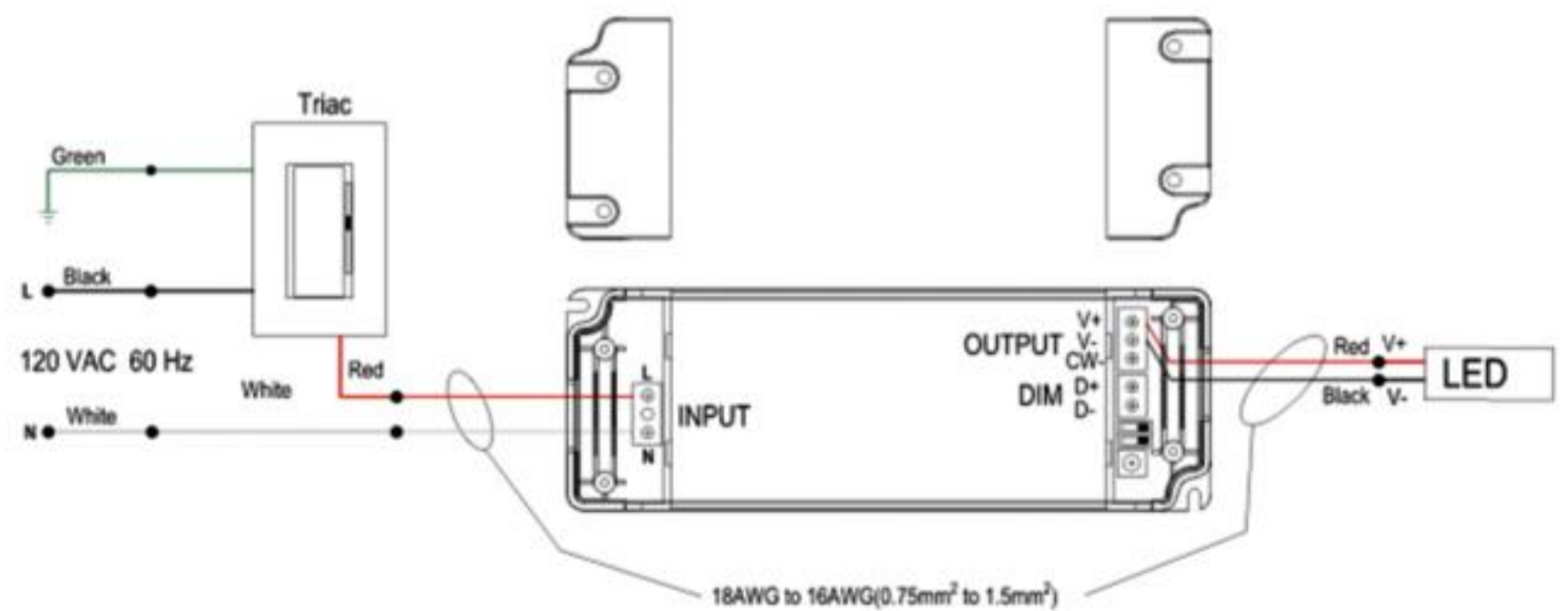
- LED strip/LED tape/LED module
 - Residential Lighting
 - Commercial Lighting
 - Indoor & outdoor LED illuminating lights.
 - LED Neon
 - LED City Decoration
- LED灯条/LED灯带/LED模组
- 住宅照明
- 商业照明
- 户内外LED照明灯光
- LED霓虹灯
- LED城市装饰灯



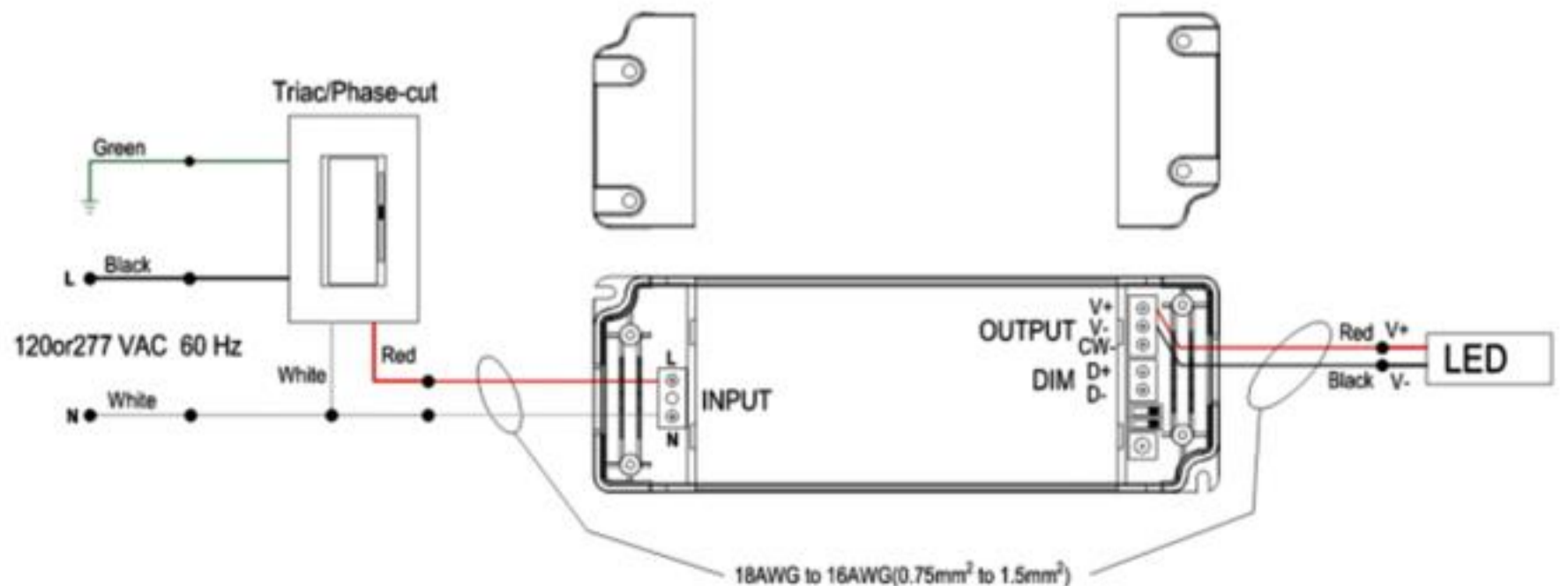
Model 型号	Cover Material 外壳材质	Output Voltage 输出电压 (Vdc)	Output Current 输出电流 (Amp)	Output power 输出功率 (Watt)	Product Size 尺寸 (mm)	N/W 净重 (g)
SMT-CV12060-VTD-S	Plastic(IP20)	12V (9-13V adjustable)	5A	60W	212*56*24	390
SMT-CV24060-VTD-S		24V (17-25V adjustable)	2.5A			
SMT-CV36060-VTD-S		36V (27-37V adjustable)	1.66A			
SMT-CV48060-VTD-S		48V (36-49V adjustable)	1.25A			
SMT-CV24096-VTD-S	Plastic(IP20)	24V (17-25V adjustable)	4A	96W	212*56*24	390
SMT-CV48096-VTD-S		48V (36-49V adjustable)	2A			
SMT-CV12100-VTD-S	Plastic(IP20)	12V (9-13V adjustable)	8.33A	100W	212*56*24	390
SMT-CV24100-VTD-S		24V (17-25V adjustable)	4.17A			
SMT-CV36100-VTD-S		36V (27-37V adjustable)	2.77A			
SMT-CV48100-VTD-S		48V (36-49V adjustable)	2.08A			

Wiring Diagram 接线图

- 1) Triac dimming -Triac/MLV load type
Notice: Not request neutral wire of dimmer.
1) 可控硅调光-可控硅/MLV负载型
注意：不要求调光器的零线。



- 2) Triac dimming- ELV load type
Notice: Normally request neutral wire of dimmer.
2) 可控硅调光-ELV负载型
注意：通常要求调光器的零线。

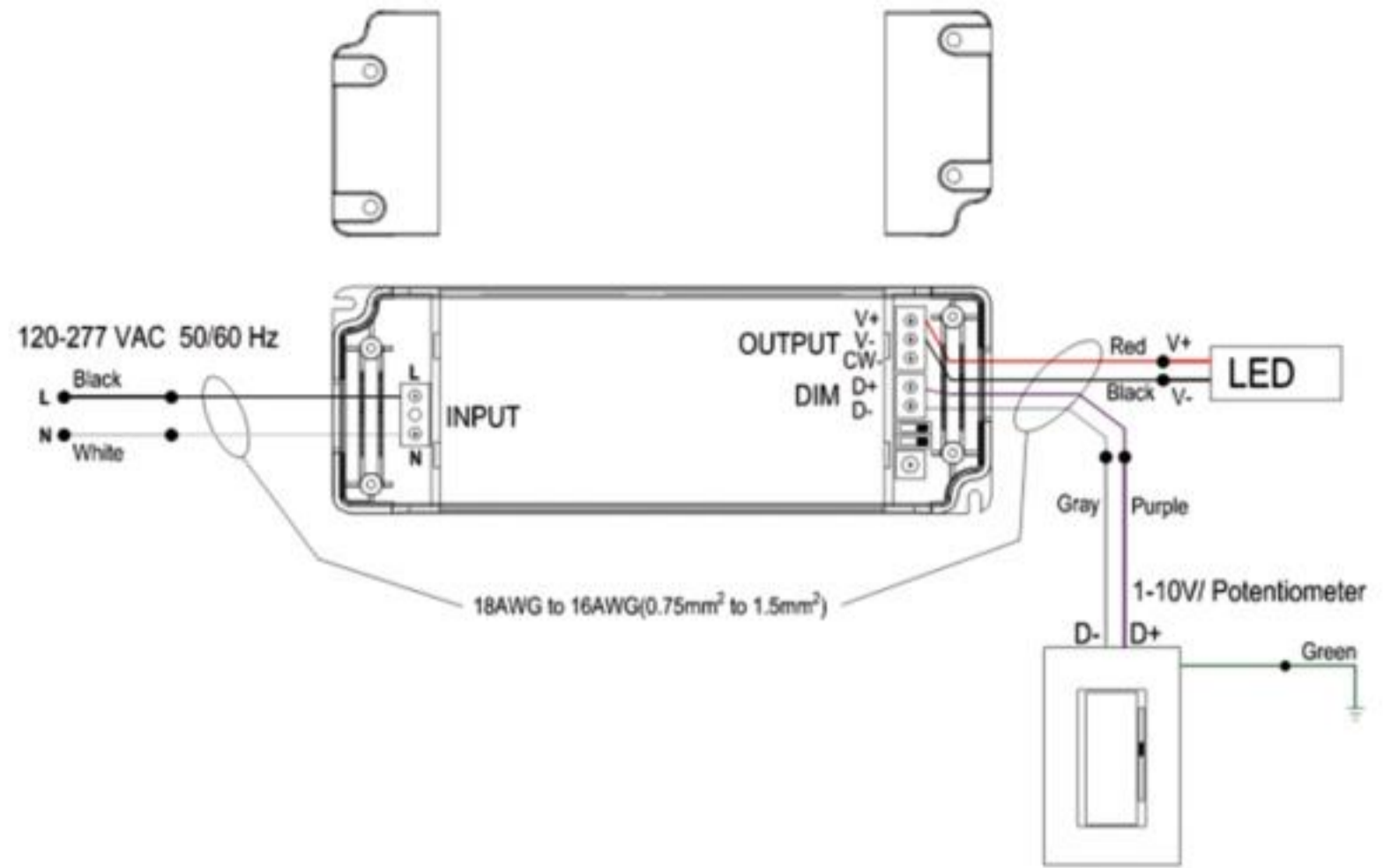


3) 0-10V dimming-only dimming

Notice: The dimmer can't cut off the power in this connecting way.

3)0-10V 调光

注意：调光器不能以这种连接方式切断电源。

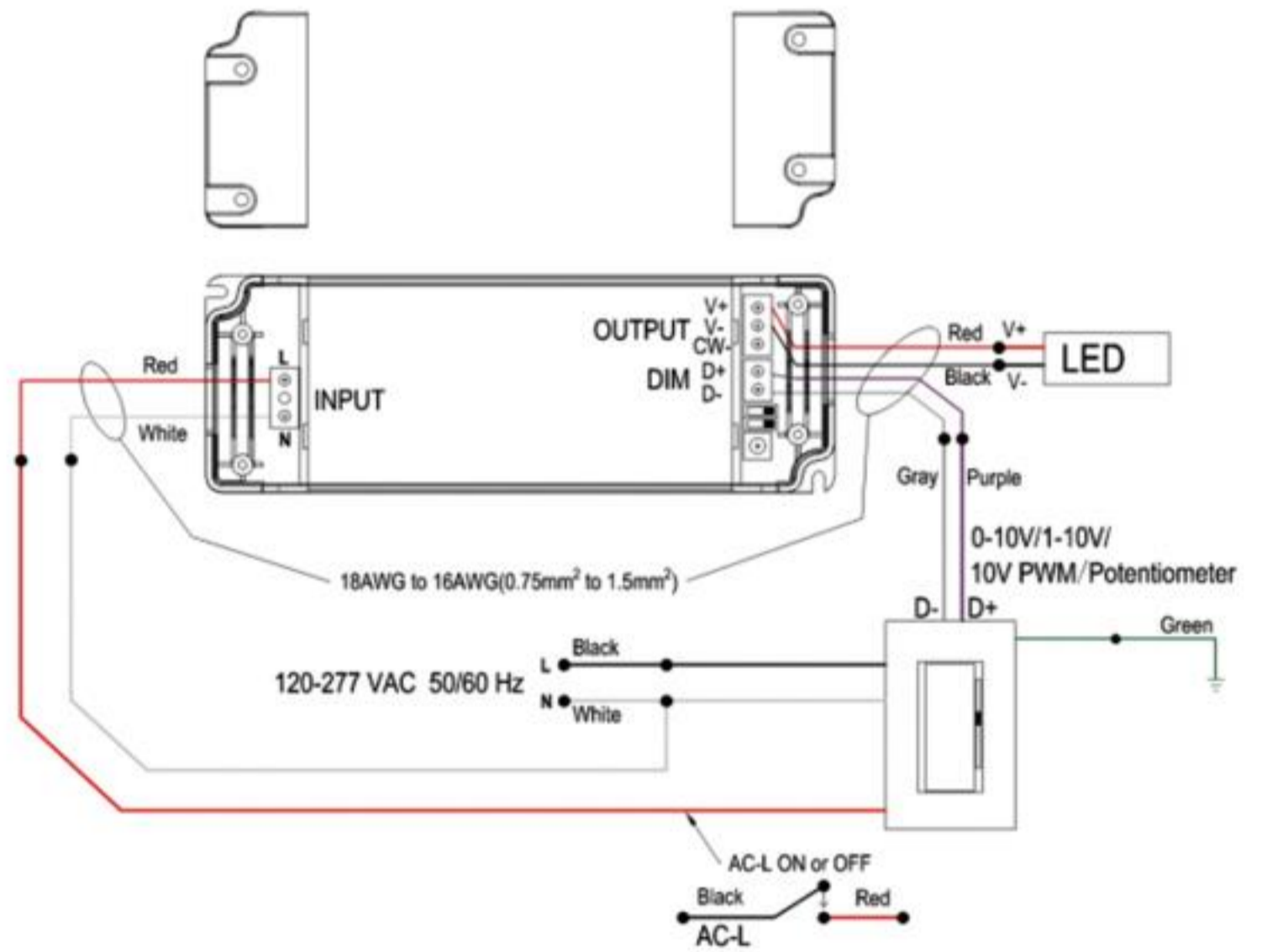


4) 0-10V dimming-only dimming

Notice: The dimmer can cut off the power in this connecting way.

3)0-10V 调光

注意：调光器不能以这种连接方式切断电源。



5) Works with Two channel CCT warm-dim LED strip/tape (3 wires)

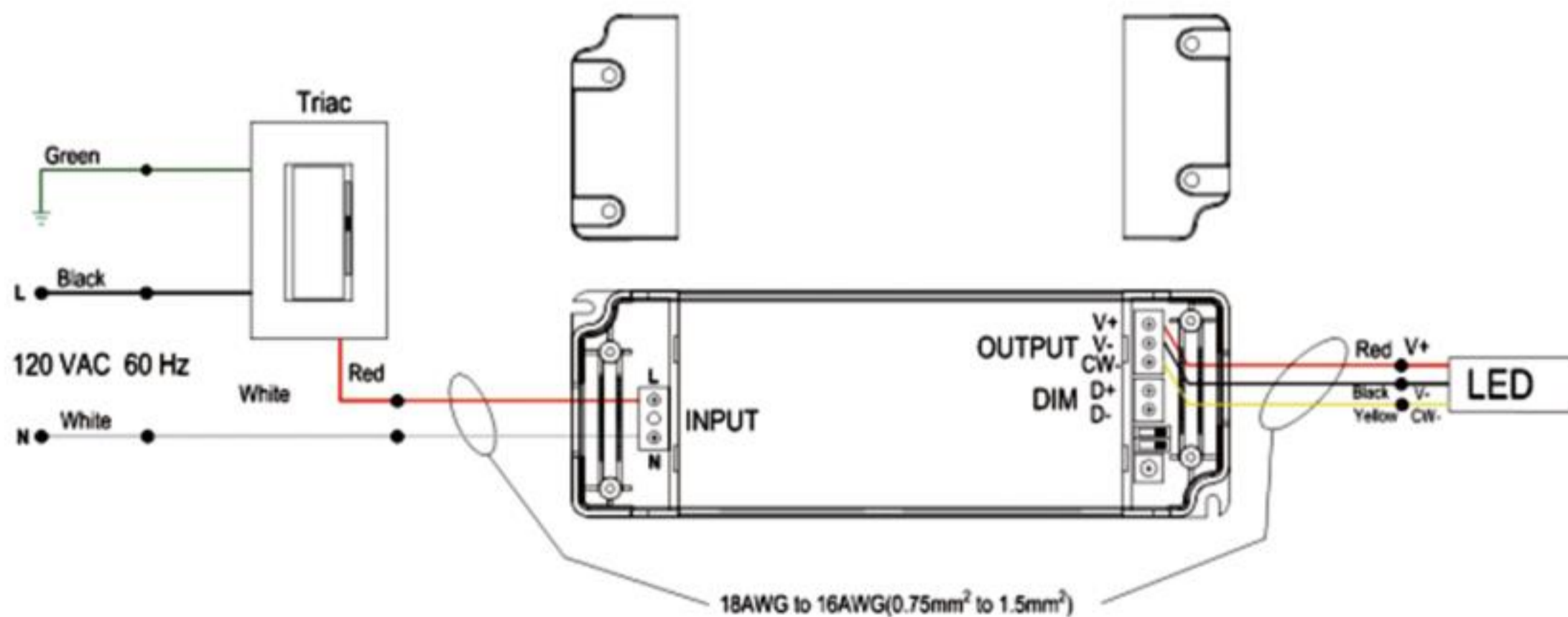
Triac dimming -Triac/MLV load type

Notice: Not request neutral wire of dimmer.

5) 与两通道 CCT 暖调光 LED 灯条/灯带 (3 线) 一起使用

可控硅调光-可控硅/MLV负载类型

注意：不要求调光器的零线。

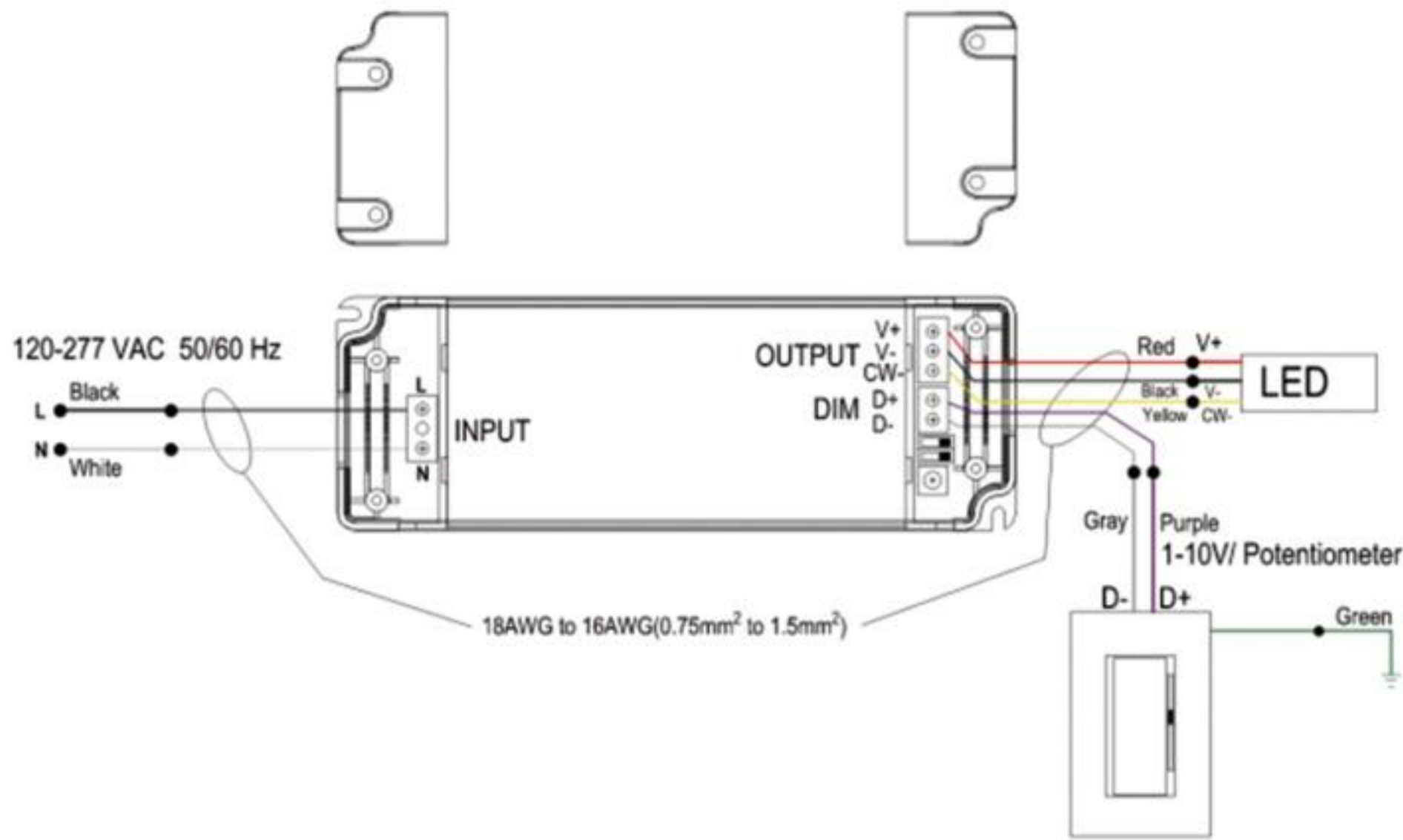


6) 0-10V dimming-only dimming

Notice: The dimmer can't cut off the power in this connecting way.

6)0-10V 调光

注意：调光器不能以这种连接方式切断电源。

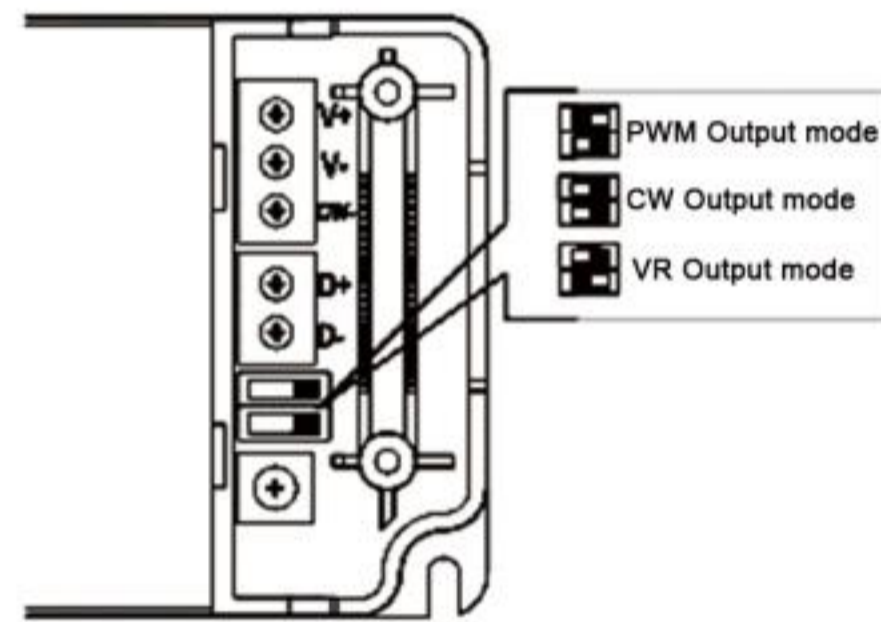
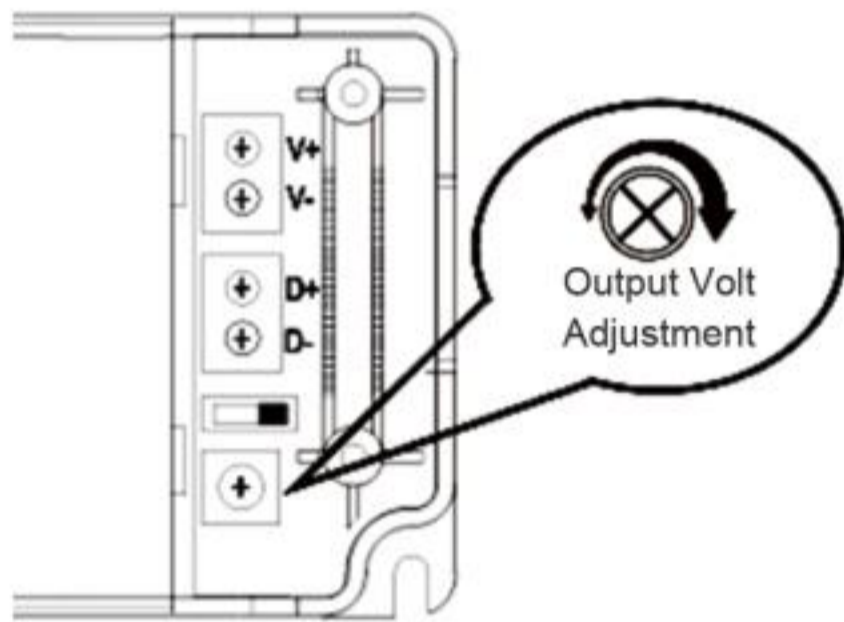


Fine tune output voltage

微调输出电压

Switch to PWM Output or Voltage Reduce Dimming Mode

切换到PWM输出或调压输出模式



NOTES:

Remove the output cover and screw it to fine tune the output voltage.

See below fine tune range

12V output: 9V-13V

24V output: 17V-25V

注：

取下输出盖并拧紧以微调电压。

见下文微调范围

12V输出：9V-13V

24V输出：17V-25V

Product Display

产品展示



CCT & 5 in 1 Dimmable Constant Voltage

CCT & 5 in 1 (Triac, 0-10V, 1-10V, Registor, 10V PWM) Dimmable J-Box LED Driver

(Output Voltage Adjustable / PWM & Voltage Reduce output Switchable)

可控硅&0-10V (5合1)调光双色壳机一体电源【输出电压可调 / PWM和调压输出可切换】

Features

特性

- **Dim-all:** Triac/0-10V/1-10V/10V PWM/Potentiometer
 - ★ **Working Mode:** Switch to PWM or Voltage Reduce output
 - **Universal input:** 100-277Vac
 - **Dimming effect:**
 - Voltage Reduce mode:** 100%-0.01% dim, stepless dimming, flicker-free,
 - PWM dim mode:** 100-0.1% dim, flicker-free
 - **Triac dim mode:** Forward phase & reverse phase, MLV, ELV dim
 - Wet, damp, and dry location,
 - Title 24 JA8 compliant
 - Build in active PFC, typical power factor > 0.95, THD < 10% @ 120V Max. load
 - ★ **Constant voltage type, fine tune of output voltage**
 - Super low loading request, works perfect at 10-100% load.
 - Short-circuit, over-temperature, over-load protection.
 - Exclusive patent design of "Clamshell" junction box
 - Flexible wiring compartment to adjust the AC and DC wiring space
 - UL cUL listed, Class 2, Class P, Type HL, FCC, NEMA 4X, CE, RoHs
- 调光方式:** 可控硅/0-10V/1-10V/10V PWM/电阻调光
- ★ **工作模式:** PWM输出与调压输出可切换
- 通用输入:** 100-277Vac
- 调光效果:**
- 调压模式:** 100%-0.01%调光, 无级调光, 无闪烁
- PWM 调光模式:** 100-0.1% 调光, 无闪烁
- 可控硅调光模式:** 正相和反相、MLV、ELV 调光
- 适用于潮湿、潮湿和干燥的位置
- 兼容Title 24, JA8标准
- 内置有源PFC, 典型功率因数 > 0.95, THD < 10% @ 120V Max. load
- ★ **恒压型, 输出电压微调**
- 超低负载要求, 在 10-100% 负载下完美运行
- 短路、过温、过载保护
- "翻盖" 接线盒专利设计
- 灵活的接线隔间, 可调节交直流接线空间
- 认证:** UL/cUL, Class 2, Class P, Type HL, FCC, NEMA 4X, CE, ROHS

Selling Points

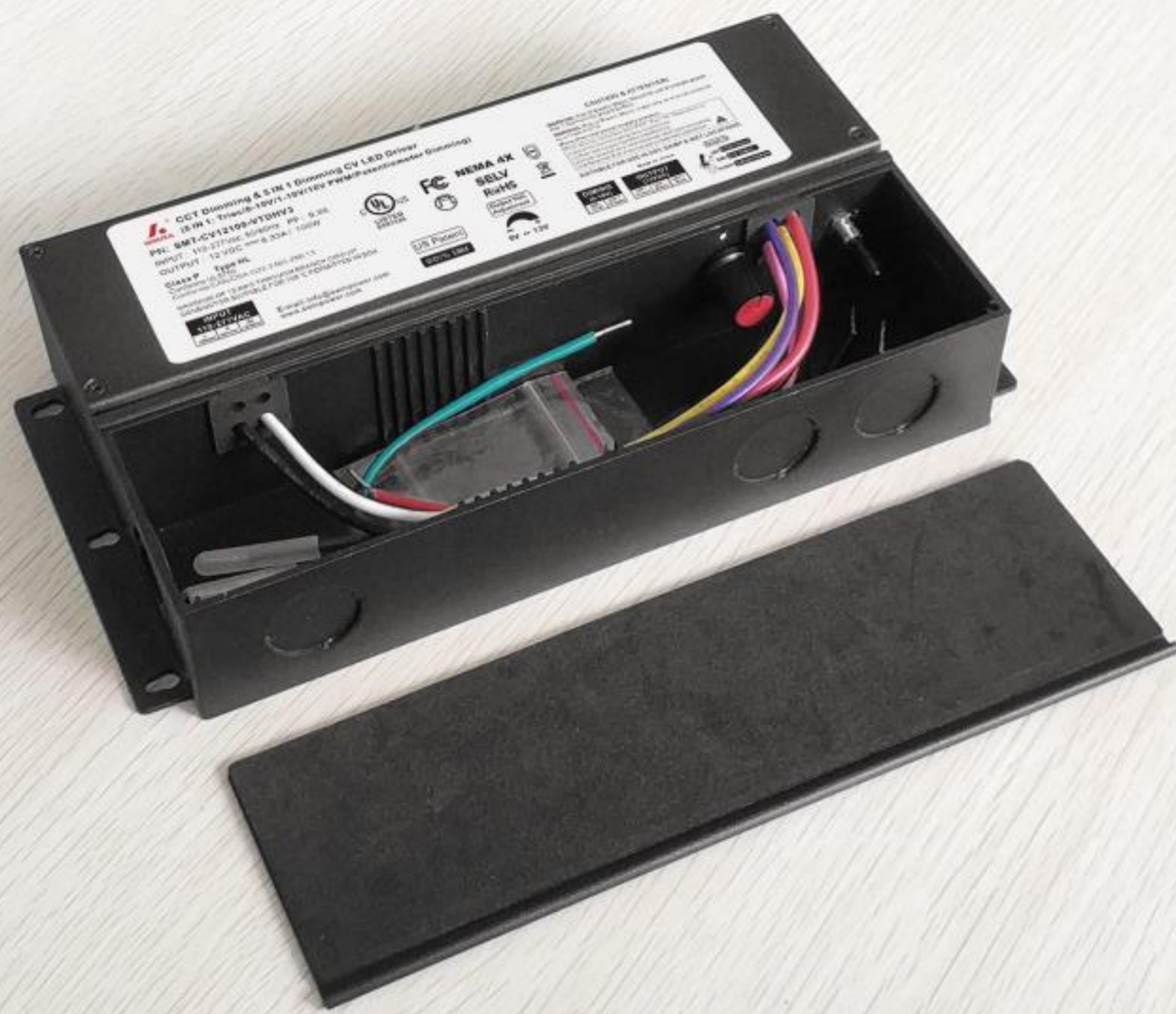
卖点

- **1) Voltage Reduce Output**
 - √ Dimming range: 100%-0.01% Ultra Deep Amplitude
 - √ The output voltage peak is in the affordable value of the LED during driver on/off and dimming, no harm to the LED for long-term using, and slow down the speed of lumen depreciation.
 - √ Works with single channel CCT warm-dim LED strip/tape (2 wires).
 - **2) Compatible PWM & Voltage Reduce output**
 - √ synchronously dimming the LEDs with different starting voltages.
 - √ compatible with DC-DC design LED fixture, such as MR16, PAR, wall washer, linear lighting, LED strip/tape
- 1) 调压输出**
- √ 调光范围: 100%-0.01% 超深调光, 长期使用, 减缓流明衰减速度。
- √ 适用于单通道2线芯的色温LED灯条/灯带。
- √ 驱动器开/关和调光时输出电压峰值在LED可承受值内, 对LED无伤害
- 2) 兼容PWM和调压输出**
- √ 兼容RGBCW不同的LED灯具
- √ 兼容DC-DC设计的LED灯具, 如MR16、PAR、洗墙灯、线性照明、LED灯条/类型

Application

应用

- LED strip/LED tape/LED module
 - Residential Lighting
 - Indoor & outdoor LED illuminating lights.
 - LED Neon
 - LED City Decoration
- LED灯条/LED灯带/LED模组
- 住宅照明
- 户内外LED照明灯光
- LED霓虹灯
- LED城市装饰灯



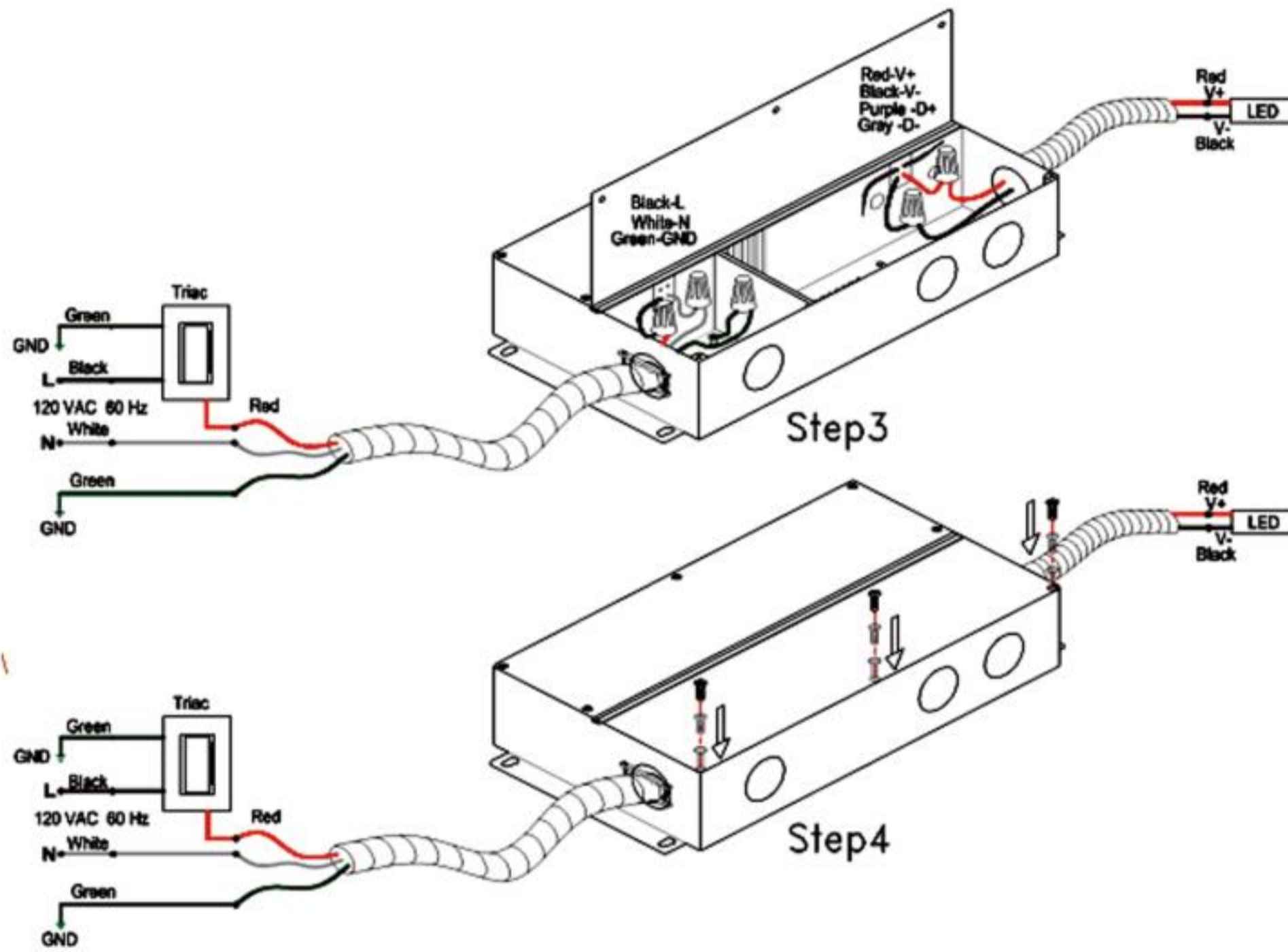
Model 型号	Cover Material 外壳材质	Output Voltage 输出电压 (Vdc)	Output Current 输出电流 (Amp)	Output Power 输出功率 (Watt)	Product Size 尺寸 (mm)	N/W 净重 (g)
SMT-CV12060-VTDHV3	Metal Housing (NEMA 4X)	12 (9-13V adjustable)	5A	60W	226.5*117.5*42.5	1000
SMT-CV24060-VTDHV3		24 (17-25V adjustable)	2.5A			
SMT-CV36060-VTDHV3		36 (27-37V adjustable)	1.66A			
SMT-CV48060-VTDHV3		48 (36-49V adjustable)	1.25A			
SMT-CV24096-VTDHV3		24 (17-25V adjustable)	4A	96W	226.5*117.5*42.5	1000
SMT-CV48096-VTDHV3		48 (36-49V adjustable)	2A			
SMT-CV12100-VTDHV3		12 (9-13V adjustable)	8.33A	100W	226.5*117.5*42.5	1000
SMT-CV24100-VTDHV3		24 (17-25V adjustable)	4.17A			
SMT-CV36100-VTDHV3		36 (27-37V adjustable)	2.77A			
SMT-CV48100-VTDHV3		48 (36-49V adjustable)	2.08A			
SMT-CV12150-VTDHV3		12 (9-13V adjustable)	12.5A	150W	254*132*42.5	1000
SMT-CV24150-VTDHV3		24 (17-25V adjustable)	6.25A			
SMT-CV36150-VTDHV3		36 (27-37V adjustable)	4.16A			
SMT-CV48150-VTDHV3		48 (36-49V adjustable)	3.15A			
SMT-CV12200-VTDHV3		12 (9-13V adjustable)	16.67A	200W	254*132*42.5	1860
SMT-CV24200-VTDHV3		24 (17-25V adjustable)	8.33A			
SMT-CV36200-VTDHV3		36 (27-37V adjustable)	5.55A			
SMT-CV48200-VTDHV3		48 (36-49V adjustable)	4.16A			
SMT-CV12300-VTDHV3		12 (9-13V adjustable)	25A	300W	289*132*42.5	2150
SMT-CV24300-VTDHV3		24 (17-25V adjustable)	12.5A			
SMT-CV36300-VTDHV3	36 (27-37V adjustable)	8.33A				
SMT-CV48300-VTDHV3	48 (36-49V adjustable)	6.25A				
High Power Class2 120W-340W						
SMT-CV24192-VTDHV3 (Multi output 2x96W)	Metal Housing (NEMA 4X)	24 (17-25V adjustable)	Multi current 2x4A	192W (Class 2)	254*132*42.5	1860
SMT-CV48192-VTDHV3 (Multi output 2x96W)		48 (36-49V adjustable)	Multi current 2x2A			
SMT-CV24340-VTDHV3 (Multi output 4x85W)		24 (17-25V adjustable)	Multi current 4x3.54A	340W (Class 2)	289*132*42.5	2150
SMT-CV48340-VTDHV3 (Multi output 4x85W)		48 (36-49V adjustable)	Multi current 4x1.77A			

Wiring Diagram

接线图

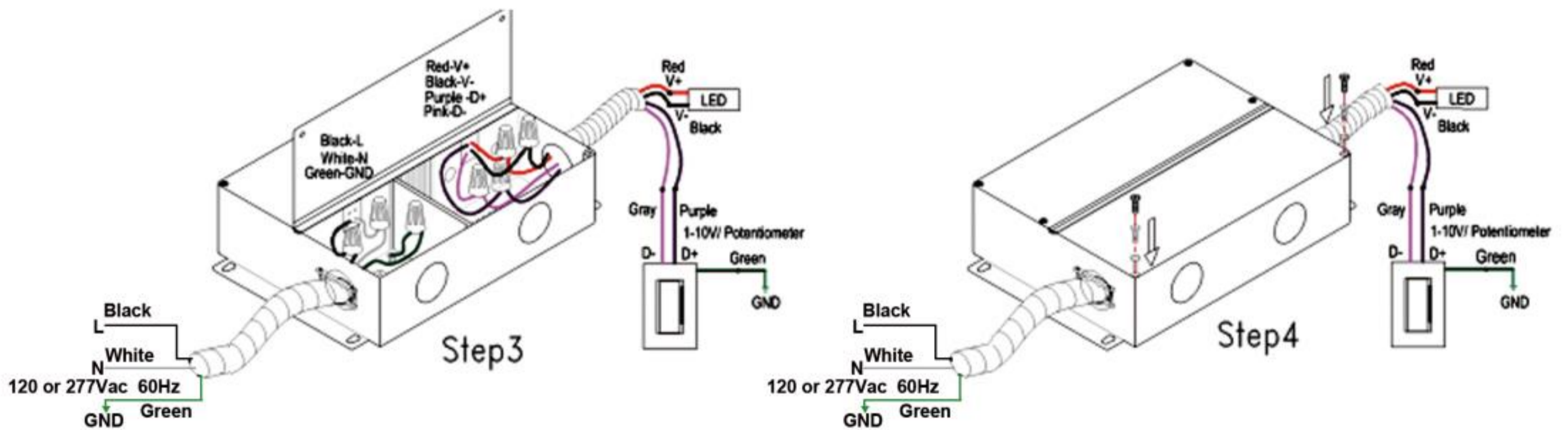
1) Triac dimming -Triac/MLV load type
Note: Not request neutral wire of dimmer.

1) 可控硅调光-可控硅/MLV负载类型
注意：不要求调光器的零线。



2) 0-10V dimming-only dimming
Note: The dimmer can't cut off the power in this connecting way.

3) 0-10V 调光
注意：此连接方式调光器不能断电。



Works with Two channel CCT warm-dim LED strip/tape (3 wires)

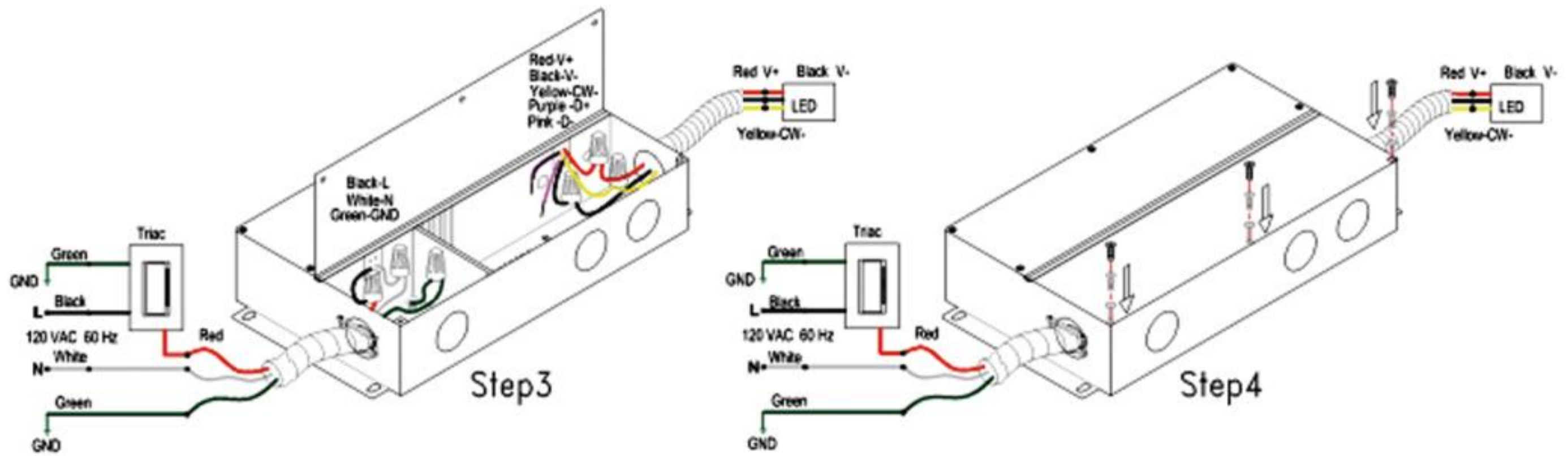
适用于两通道3线芯的色温LED灯条/灯带

1) Triac dimming - Triac/MLV load type

1) 可控硅调光-可控硅/MLV负载类型

(Notice: Not request neutral wire of dimmer.)

(注意: 不要求调光器的零线。)

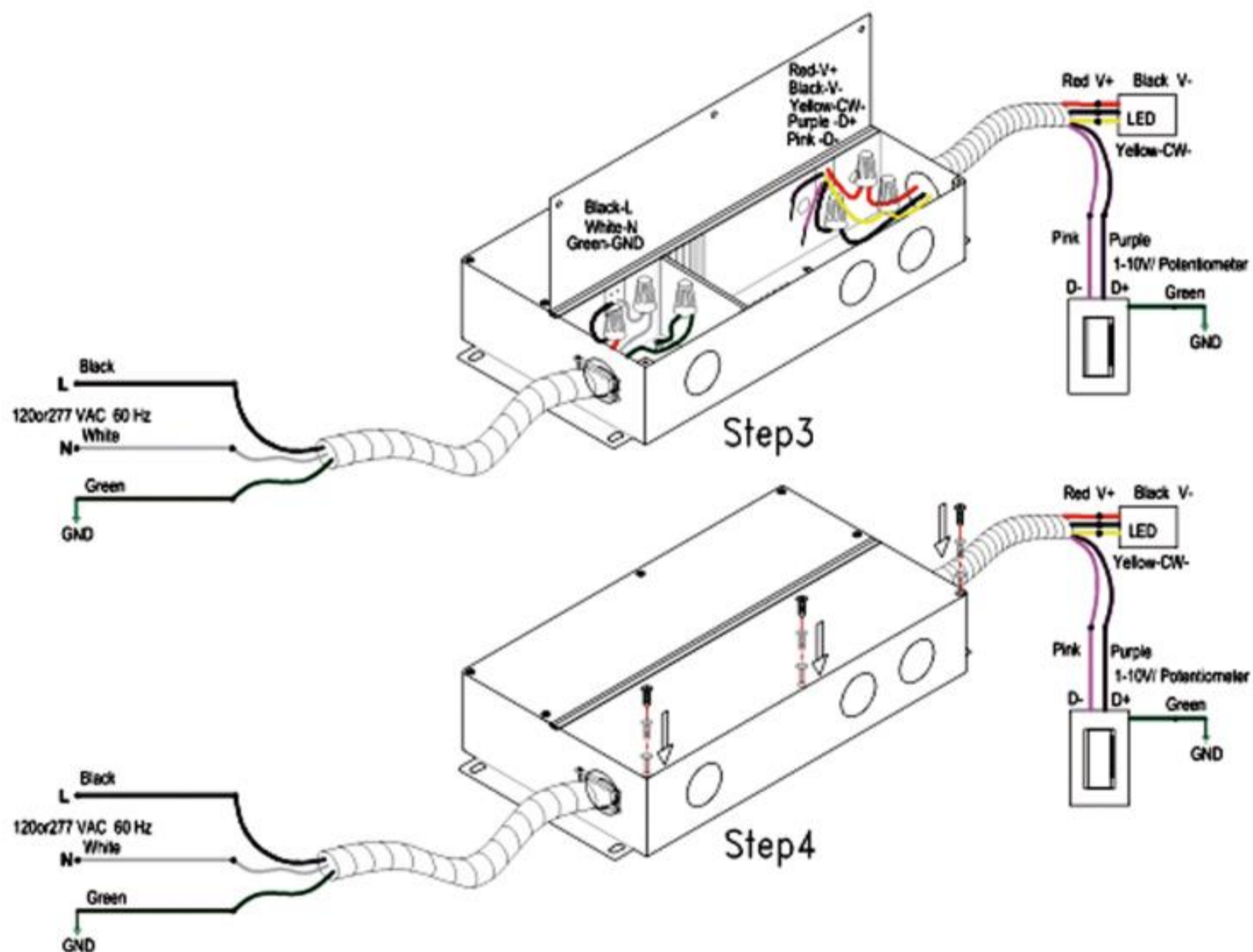


3) 0-10V dimming-only dimming

4) 0-10V 调光

Note: The dimmer can't cut off the power in this connecting way.

注意: 此连接方式调光器不能断电。

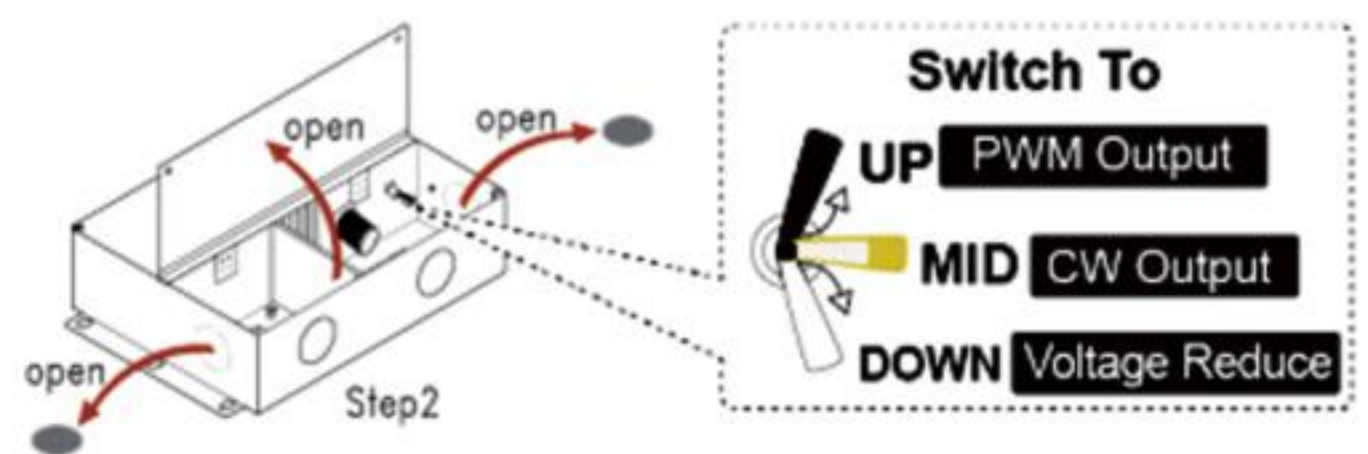
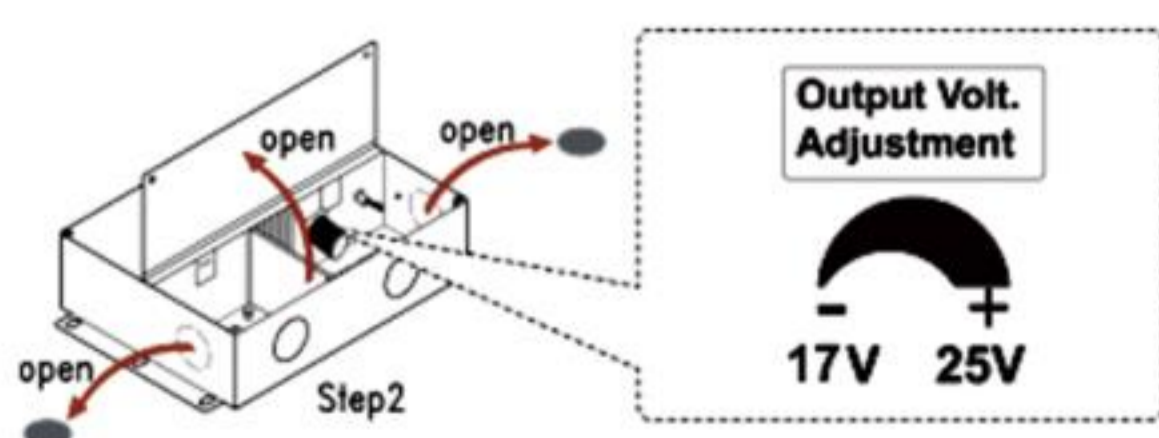


Fine Tune Voltage

微调电压

Switch to Different Output Mode

切换到不同的输出模式



See below fine tune range:

见以下微调范围:

12V output: 9V-13V

12V输出: 9V-13V

24V output: 17V-25V

24V输出: 17V-25V

Push up: PWM output mode

上推: PWM输出方式

Push middle: CW output mode

推中: CW输出模式

Push down: Voltage reduce mode

下推: 调压模式

5 in 1 Dimmable Constant Voltage Triac/0-10V/1-10V/Potentiometer/10V PWM 5 in 1 Dimmable Slim Size LED Driver

(Output Voltage Adjustable / PWM & Voltage Reduce output Switchable)

可控硅&0-10V (5 合 1)调光长条电源【输出电压可调 / PWM和调压输出可切换】

Features

特性

- **Dim-all:** Triac/0-10V/1-10V/10V PWM/Potentiometer
 - ★ **Working Mode:** Switch to PWM or Voltage Reduce output
 - **Universal input:** 100-277Vac
 - **Dimming effect:**
 - Voltage Reduce mode:** 100%-0.01% dim, stepless dimming, flicker-free,
 - PWM dim mode:** 100-0.1% dim, flicker-free
 - **Triac dim mode:** Forward phase & reverse phase, MLV, ELV dim
 - Wet, damp, and dry location,
 - Title 24 JA8 compliant
 - Build in active PFC, typical power factor > 0.95, THD < 10% @ 120V Max. load
 - ★ **Constant voltage type, fine tune of output voltage**
 - Super low loading request, works perfect at 10-100% load.
 - Short-circuit, over-temperature, over-load protection.
 - 7 years warranty
 - UL cUL listed, Class 2, Class P, Type HL, FCC, NEMA 4X, CE, RoHs
- 调光方式:** 可控硅/0-10V/1-10V/10V PWM/电阻调光
- ★ **工作模式:** 可切换PWM或调压输出
- 通用输入:** 100-277Vac
- 调光效果:**
- 调压模式:** 100%-0.01%调光, 无级调光, 无闪烁
- PWM 调光模式:** 100-0.1% 调光, 无闪烁
- 可控硅调光模式:** 正相和反相、MLV、ELV 调光
- 适用于潮湿、潮湿和干燥的位置
- 兼容Title 24, JA8标准
- 内置有源PFC, 典型功率因数 > 0.95, THD < 10% @ 120V Max. load
- ★ **恒压型, 输出电压可微调**
- 超低负载要求, 在 10-100% 负载下完美运行
- 短路、过温、过载保护
- 7年保修
- 认证:** UL/cUL, Class 2, Class P, Type HL, FCC, NEMA 4X, CE, ROHS

Selling Points

卖点

- **1) Voltage Reduce Output**
 - √ Dimming range: 100%-0.01% Ultra Deep Amplitude
 - √ Works with single channel CCT warm-dim LED strip/tape (2 wires).
 - √ The output voltage peak is in the affordable value of the LED during driver on/off and dimming, no harm to the LED for long-term using, and slow down the speed of lumen depreciation.
 - **2) Compatible PWM & Voltage Reduce output**
 - √ compatible with RGBCW different LED fixture
 - √ compatible with DC-DC design LED fixture, such as MR16, PAR, wall washer, linear lighting, LED strip/type
- 1) 调压输出**
- √ 调光范围: 100%-0.01% 超深调光
- √ 适用于单通道2线芯的色温LED灯条/灯带。
- √ 驱动器开/关和调光时输出电压峰值在LED的承受范围内, 对LED长期使用无伤害, 减缓光衰速度。
- 2) 兼容PWM和调压输出**
- √ 兼容RGBCW不同的LED灯具
- √ 兼容DC-DC设计的LED灯具, 如MR16、PAR、洗墙灯、线性照明、LED灯条/类型

Application

应用

- LED strip/LED tape/LED module
 - Residential Lighting
 - Commercial Lighting
 - Indoor & outdoor LED illuminating lights.
 - LED Neon
 - LED City Decoration
- LED灯条/LED灯带/LED模组
- 住宅照明
- 商业照明
- 户内外LED照明灯光
- LED霓虹灯
- LED城市装饰灯



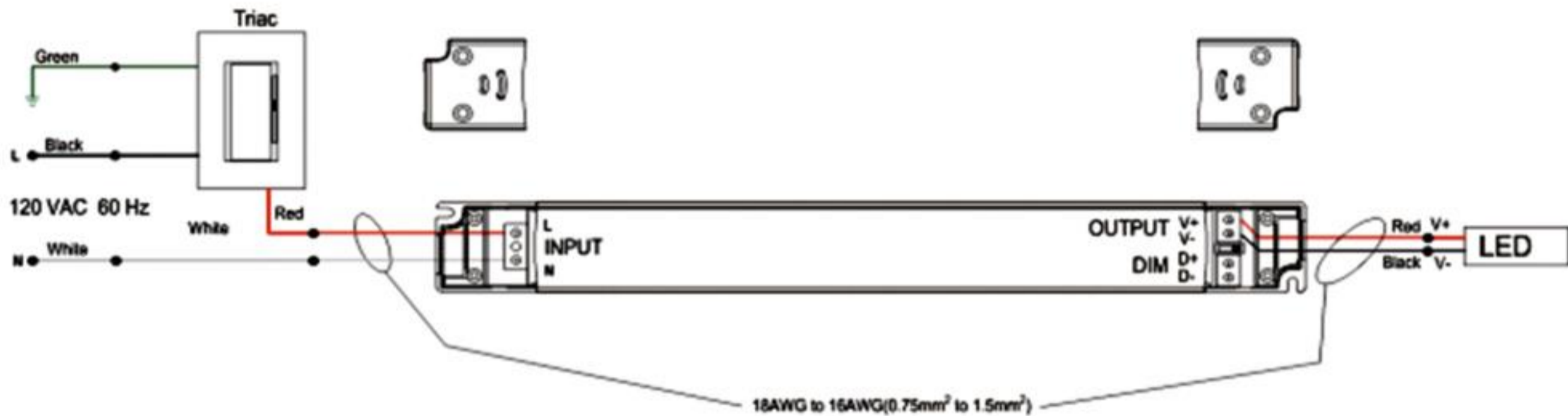
Model 型号	Cover Material 外壳材质	Output Voltage 输出电压 (Vdc)	Output Current 输出电流 (Amp)	Output power 输出功率 (Watt)	Product Size 尺寸 (mm)	N/W 净重 (g)
SMT-012-030VTDSW	Aluminum(IP67)	12	2.5	30	262*32*20	400
SMT-024-030VTDSW	Aluminum(IP67)	24	1.25	30	262*32*20	400
SMT-012-030VTDSP	Plastic(IP20)	12	2.5	30	260*30*18.5	300
SMT-024-030VTDSP	Plastic(IP20)	24	1.25	30	260*30*18.5	300
SMT-012-036VTDSW	Aluminum(IP67)	12	3	36	262*32*20	400
SMT-024-036VTDSW	Aluminum(IP67)	24	1.5	36	262*32*20	400
SMT-012-036VTDSP	Plastic(IP20)	12	3	36	260*30*18.5	300
SMT-024-036VTDSP	Plastic(IP20)	24	1.5	36	260*30*18.5	300
SMT-012-060VTDSW	Aluminum(IP67)	12	5	60	300*32*20	500
SMT-024-060VTDSW	Aluminum(IP67)	24	2.5	60	300*32*20	500
SMT-012-060VTDSP	Plastic(IP20)	12	5	60	300*30*18.5	400
SMT-024-060VTDSP	Plastic(IP20)	24	2.5	60	300*30*18.5	400
SMT-012-100VTDSW	Aluminum(IP67)	12	8.33	100	330*32*23	600
SMT-024-096VTDSW	Aluminum(IP67)	24	4	96	330*32*23	600
SMT-024-100VTDSW	Aluminum(IP67)	24	4.17	100	330*32*23	600
SMT-012-100VTDSP	Plastic(IP20)	12	8.33	100	330*30*22	500
SMT-024-096VTDSP	Plastic(IP20)	24	4	96	330*30*22	500
SMT-024-100VTDSP	Plastic(IP20)	24	4.17	100	330*30*22	500
SMT-012-150VTDSW	Aluminum(IP67)	12	12.5	150	330*32*23	650
SMT-024-150VTDSW	Aluminum(IP67)	24	6.25	150	330*32*23	650
SMT-012-150VTDSP	Plastic(IP20)	12	12.5	150	330*30*22	500
SMT-024-150VTDSP	Plastic(IP20)	24	6.25	150	330*30*22	500

Wiring Diagram (Plastic Case)

接线图(塑料外壳)

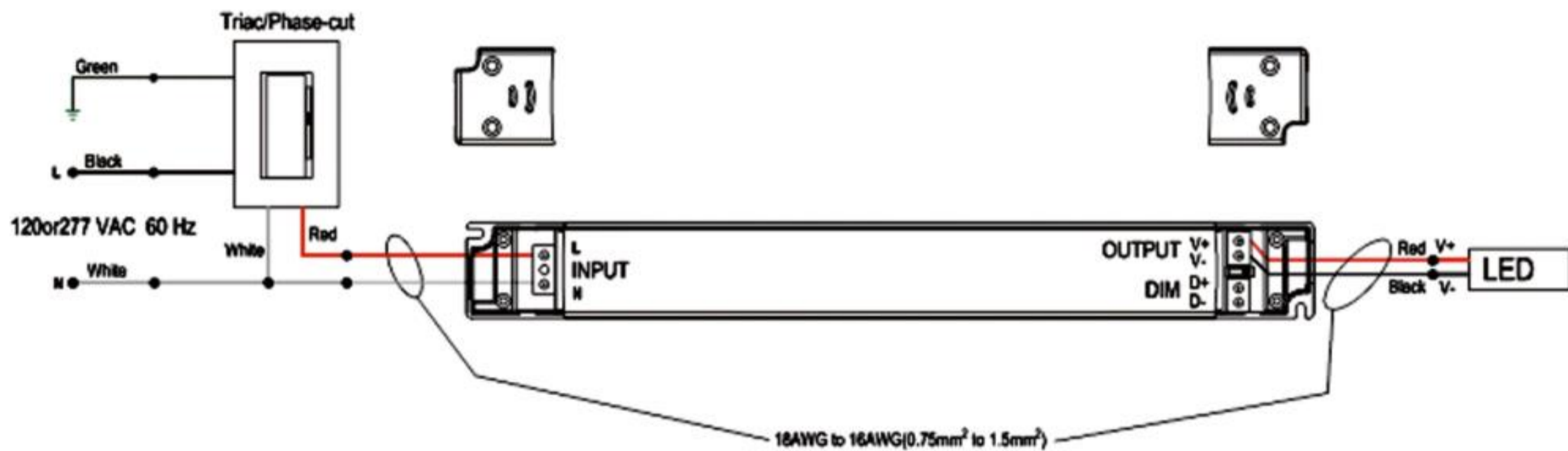
1) Triac dimming -Triac/MLV load type
Notice: Not request neutral wire of dimmer.

1) 可控硅调光-可控硅/MLV负载型
注意：不要求调光器的零线。



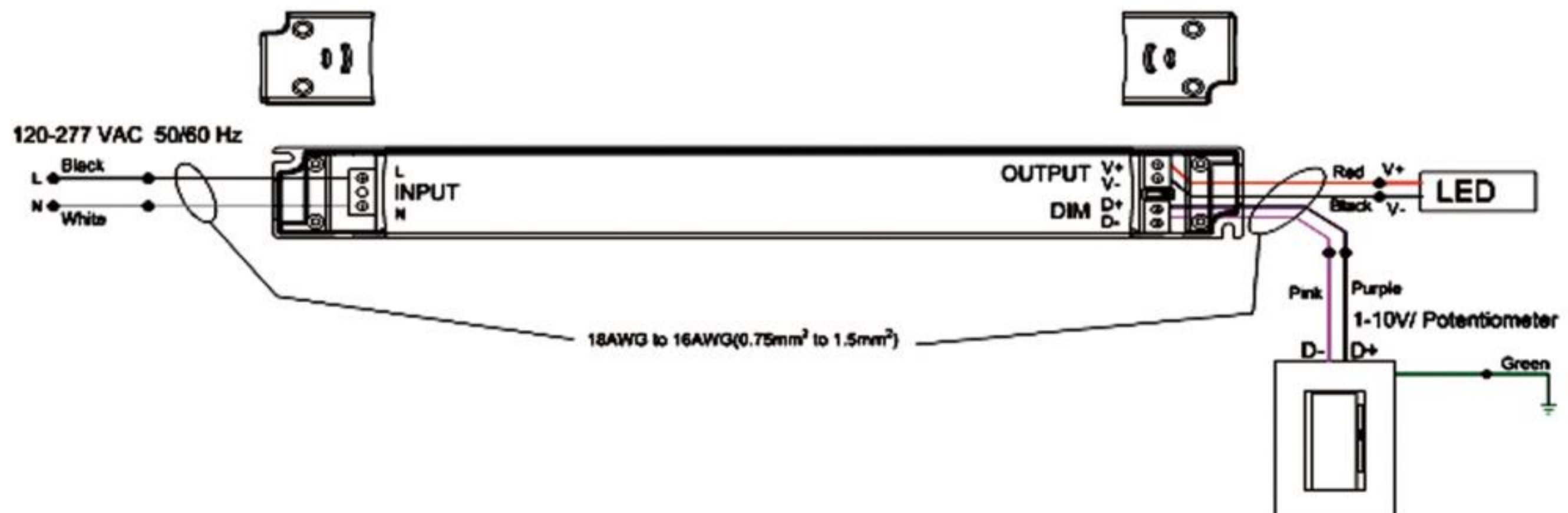
2) Triac dimming- ELV load type
Notice: Normally request neutral wire of dimmer.

2) 可控硅调光-ELV负载型
注意：一般要求调光器零线。



3) 0-10V dimming-only dimming
Notice: The dimmer can't cut off the power in this connecting way.

3) 0-10V调光
注意：此连接方式不能切断调光器电源。

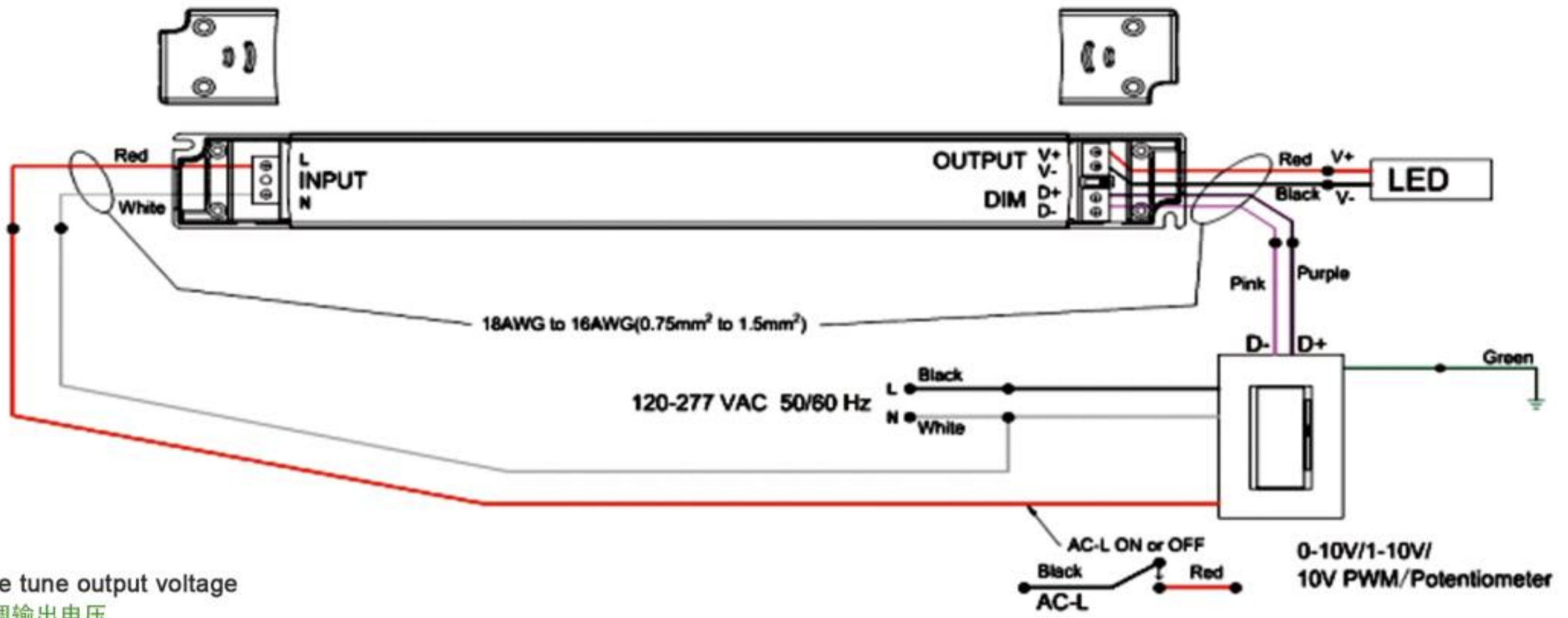


4) 0-10V dimming-only dimming

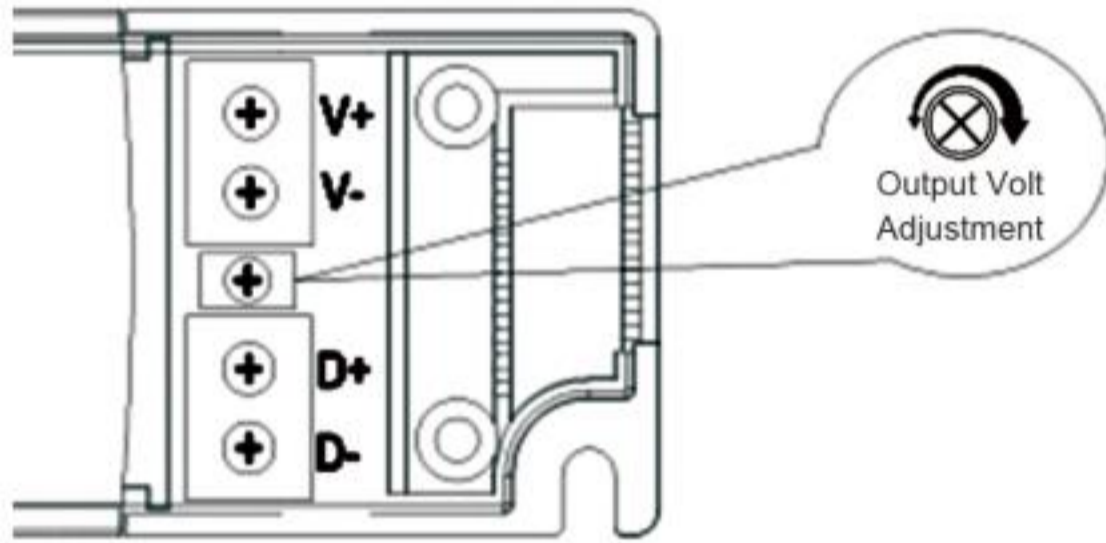
Notice: The dimmer can cut off the power in this connecting way.

4) 0-10V调光

注意：调光器可以通过这种连接方式切断电源。



Fine tune output voltage
微调输出电压



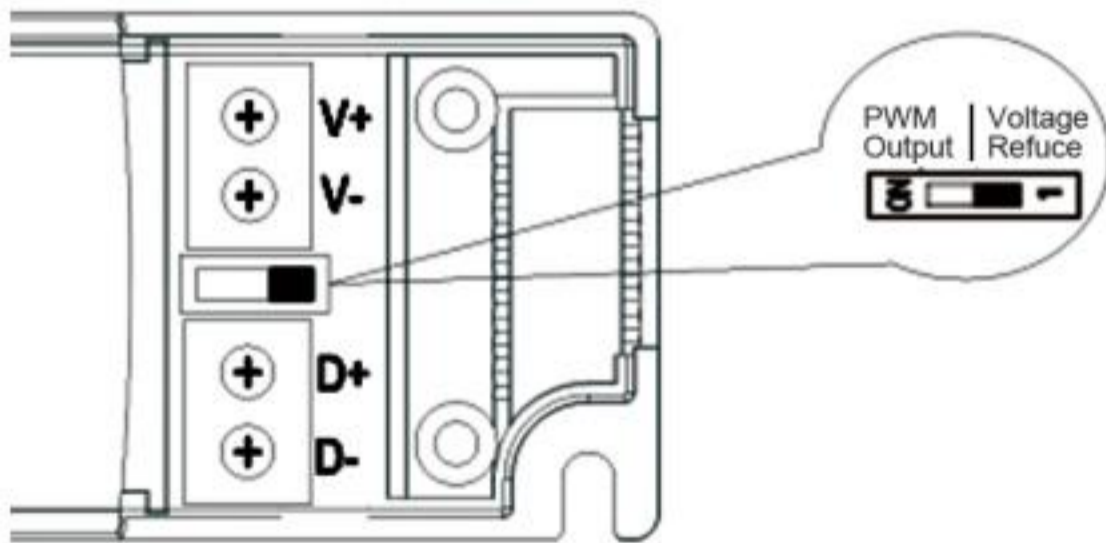
NOTES:

1. Remove the output cover and screw it to fine tune the output voltage. See below fine tune range
12V output: 9V-13V
24V output: 17V-25V

注意:

1. 取下输出盖并拧紧以微调输出电压。见下文微调范围
12V输出：9V-13V
24V输出：17V-25V

Switch to PWM output or voltage reduce dimming mode
切换到 PWM 输出或调压输出模式



NOTES:

- 1) Switch to "ON", the driver is PWM output mode.
- 2) Switch to "1", the driver is voltage reduce mode.

注意:

- 1) 切换到 "ON"，驱动器为PWM输出模式。
- 2) 切换到 "1"，驱动器为调压输出模式。

PRODUCT DISPLAY
产品展示





Wiring Diagram (Aluminum Case)

接线图(铝制外壳)

- 1) Triac dimming - Triac/MLV load type
Notice: Not request neutral wire of dimmer.

1) 可控硅调光-可控硅/MLV负载型
注意：不要求调光器零线。



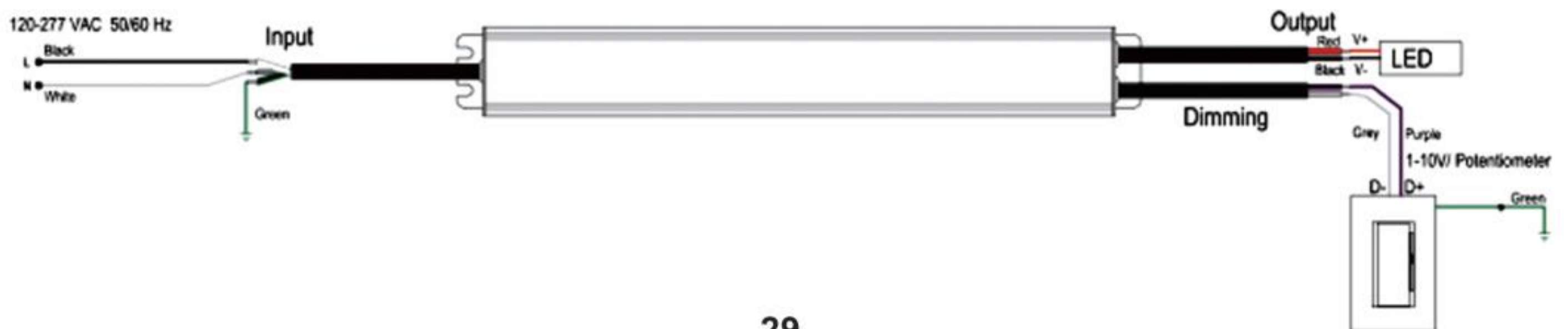
- 2) Triac dimming - ELV load type
Notice: Normally request neutral wire of dimmer.

2) 可控硅调光 - ELV负载型
注意：一般要求调光器零线。



- 3) 0-10V dimming-only dimming
Notice: The dimmer can't cut off the power in this connecting way.

3) 0-10V 调光
注意：此连接方式不能切断调光器电源。

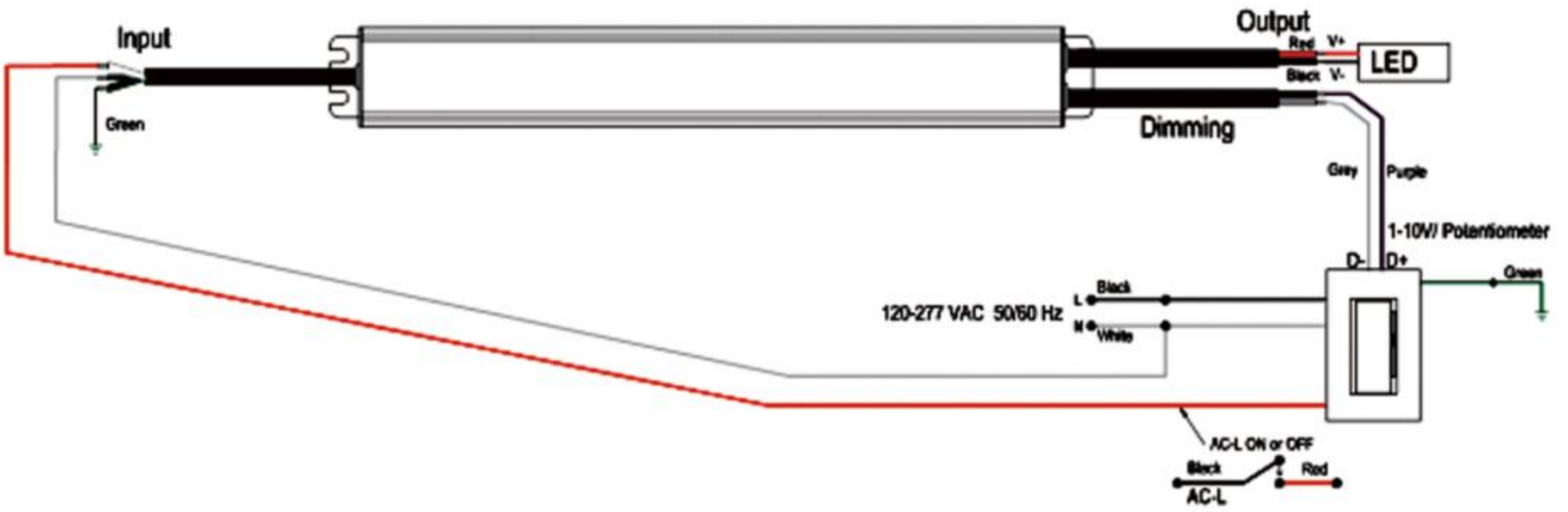


4) 0-10V dimming-only dimming

Notice: The dimmer can cut off the power in this connecting way.

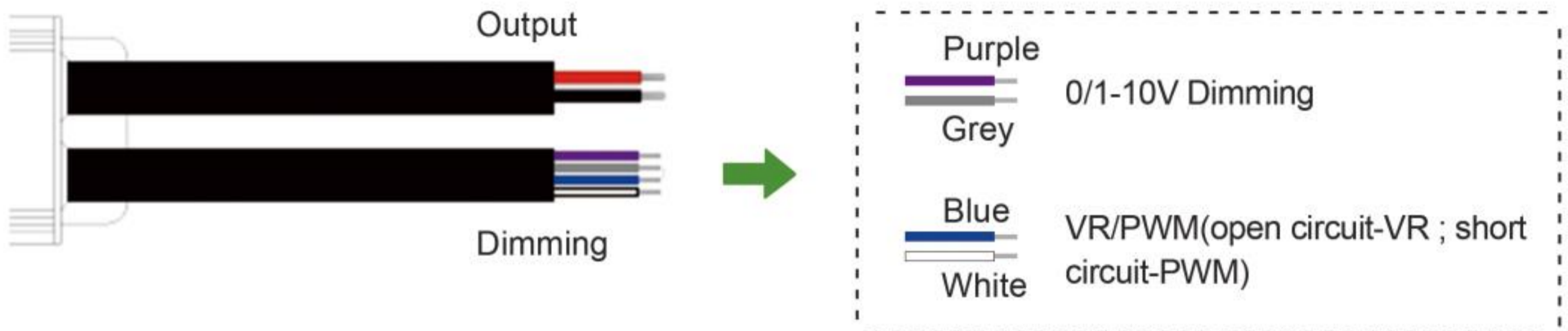
4) 0-10V 调光

注意：调光器可以通过这种连接方式切断电源。



Switch to PWM Output or Voltage Reduce Dimming Mode

切换至 PWM 输出或调压输出模式



Product Display

产品展示





Multi-current DIP Adjustmen

Triac Dimmable Output Current Selectable LED Driver

可控硅调光多电流可选LED驱动器


Features 特性

- Dimming Function : Triac/Phase Cut Dimming
- Output : Constant Current
- Range AC Input :100-277VAC
- Efficiency Up to 75%~80%
- Built-in Active PFC Function
- Protections : Short Circuit/over Current
- IP20 Design for Indoor Installation/In Dry&Damp Location
- Cooling by Free Air Convection
- Work with Leading or Trailing Edge Triac Dimmer
- (ON key: leading edge; 1 key: trailing edge)
- Strong Compatibility, Flicker-free Dimming
- 7 years warranty
- Certificate : UL/cUL、FCC、RoHS、CE

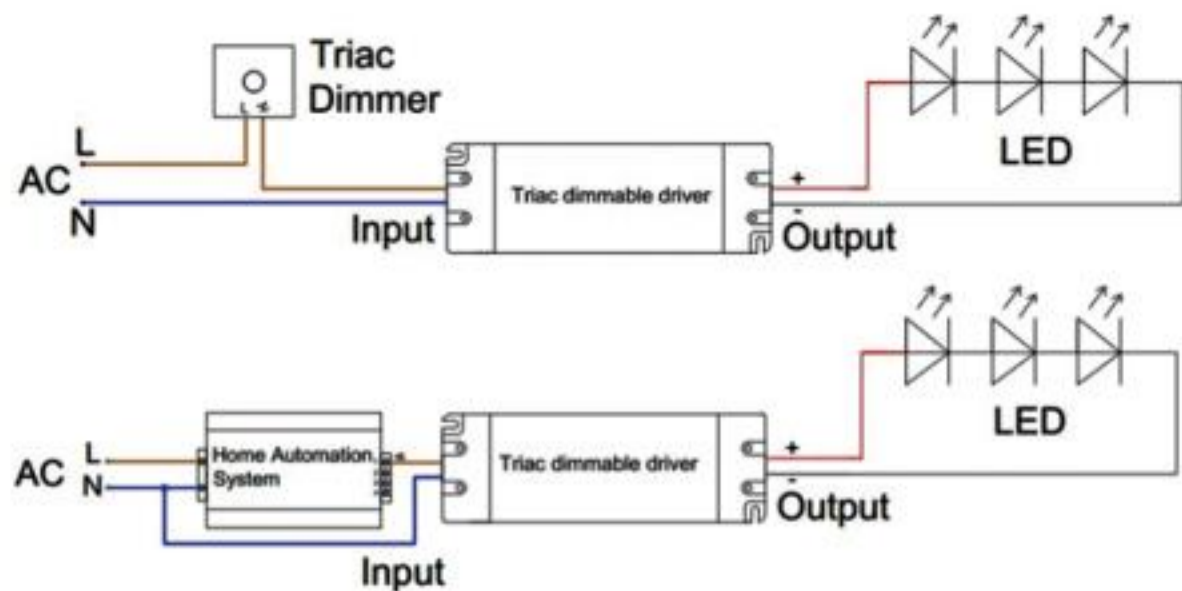
- 调光功能:** 双向可控硅/切相调光
- 输出:** 恒流
- 交流输入范围:** 100-277VAC
- 效率高达75%~80%
- 内置有源PFC功能
- 保护功能:** 短路/过流保护
- IP20设计, 适合室内安装/干湿场所
- 通过自由空气对流冷却
- 与前沿或后沿双向可控硅调光器一起使用
- (ON 键: 前沿; 1 键: 后沿)
- 兼容性强, 无闪烁调光
- 质保期:** 7年
- 认证:** UL/cUL、FCC、RoHS、CE

Dimming Operation & Connecting Diagram

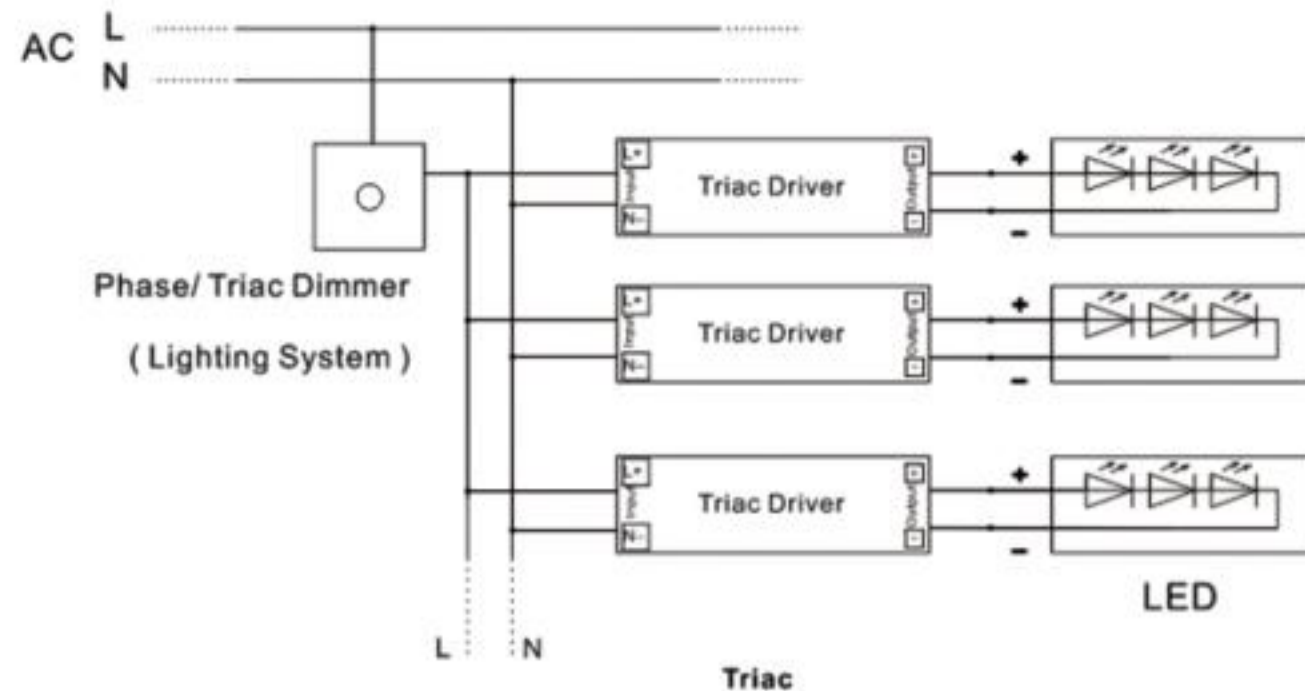
调光操作和接线图

1. Output constant current level can be adjusted through input terminal of the AC phase line(L) by connection a Triac dimmer.
2. Usually matching with leading edge and trailing edge dimmer both. (Note: For Europe Version only) At the input area, you will find dip switch on the terminal. ON key for leading edge; 1 key for trailing edge. (see right picture)
 
3. Please try to use the small power dimmer, have access to a wider dimming range, high-power dimmer is difficult to achieve the output current to zero
4. Please try to use dimmers with power at least 2 times as the output power of the driver.

1. 输出恒流电平可通过交流相线(L)输入端连接可控硅调光器进行调节。
2. 通常与前沿和后沿调光器配套使用。(注: 仅限欧版) 在输入区域, 您会在终端上找到DIP开关。
ON 键: 前沿 1 键: 后沿
3. 请尽量使用小功率调光器, 可以获得更宽的调光范围, 大功率调光器很难做到输出电流为零。
4. 请尽量使用功率至少为驱动器输出功率1.5倍的调光器。



Connecting Diagram in Single (I)



Connecting Diagram Multiple (II)

Optional Model

可选型号

Model 型号	Cover Material 外壳材质	Output Voltage 输出电压 (Vdc)	Output Current 输出电流 (mA)	Dip Switch 拨码开关 T ON ↓ OFF	Output power 输出功率 (Watt)	Product Size 尺寸 (mm)	N/W 净重 (g)
SMT-M-010CT	Plastic(IP20)	3-42V	100mA	T T T	4.2W	135*30*20	130
		3-42V	150mA	↓ T T	6.3W		
		3-42V	200mA	T ↓ T	8.4W		
		3-40V	250mA	↓ ↓ T	10W		
		3-33V	300mA	T T ↓	9.9W		
		3-29V	350mA	↓ T ↓	10.15W		
		3-25V	400mA	T ↓ ↓	10W		
		3-22V	450mA	↓ ↓ ↓	9.9W		
SMT-M-020CT	Plastic(IP20)	3-42V	250mA	↓ ↓ ↓	10.5W	159.5*43*20	150
		3-42V	350mA	T ↓ ↓	14.7W		
		3-42V	400mA	↓ T ↓	16.8W		
		3-42V	450mA	↓ ↓ T	18.9W		
		3-40V	500mA	T T ↓	20W		
		3-36V	550mA	T ↓ T	19.8W		
		3-33V	600mA	↓ T T	19.8W		
		3-28V	700mA	T T T	19.6W		
SMT-M-040CT	Plastic(IP20)	3-65V	300mA	↓ ↓ ↓ ↓	19.5W	172*54*20	350
		3-65V	350mA	T ↓ ↓ ↓	22.75W		
		3-65V	400mA	↓ T ↓ ↓	26W		
		3-65V	450mA	T T ↓ ↓	29.25W		
		3-65V	500mA	↓ ↓ T ↓	32.5W		
		3-65V	550mA	T ↓ T ↓	35.75W		
		3-65V	600mA	↓ T T ↓	39W		
		3-62V	650mA	T T T ↓	40.3W		
		3-57V	700mA	↓ ↓ ↓ T	39.9W		
		3-50V	800mA	T ↓ ↓ T	40W		
		3-45V	900mA	↓ T ↓ T	40.5W		
		3-40V	1000mA	T T ↓ T	40W		
		3-37V	1100mA	↓ ↓ T T	40.7W		
		3-34V	1200mA	T ↓ T T	40.8W		
3-31V	1300mA	↓ T T T	40.3W				
3-29V	1400mA	T T T T	40.6W				
SMT-M-060CT	Plastic(IP20)	3-65V	600mA	↓ ↓ ↓ ↓	39W	171.5*54*20	450
		3-65V	700mA	T ↓ ↓ ↓	45.5W		
		3-65V	800mA	↓ T ↓ ↓	52W		
		3-65V	900mA	T T ↓ ↓	58.5W		
		3-60V	1000mA	↓ ↓ T ↓	60W		
		3-54V	1100mA	T ↓ T ↓	59.4W		
		3-50V	1200mA	↓ T T ↓	60W		
		3-46V	1300mA	T T T ↓	59.8W		
		3-43V	1400mA	↓ ↓ ↓ T	60.2W		
		3-40V	1500mA	T ↓ ↓ T	60W		
		3-38V	1600mA	↓ T ↓ T	60.8W		
		3-35V	1700mA	T T ↓ T	59.5W		
		3-33V	1800mA	↓ ↓ T T	59.4W		
		3-32V	1900mA	T ↓ T T	60.8W		
3-30V	2000mA	↓ T T T	60W				
3-28V	2100mA	T T T T	58.8W				



Multi-current DIP Adjustmen

0-10V Dimmable Output Current Selectable LED Driver

0-10V调光多电流可选LED驱动器

Features 特性

- Dimming Function: 0-10V/1-10V/Potentiometer/10V PWM 4 in 1
- Range AC Input :100-277VAC
- Efficiency Up to 83%~88%
- Load: 10-100%
- Built-in Active PFC Function
- Protections: Short Circuit/over Current
- Full Protection Plastic Housing Easy Installation
- IP20 Design for Indoor Installation/In Dry&Damp Location
- Cooling by Free Air Convection
- Strong Compatibility, Flicker-free Dimming
- Suitable for LED Lighting and Moving Sign Applications
- 7 Years Warranty
- Certificate : UL/cUL、FCC、RoHS、CE、Type HL

调光功能: 0-10V/1-10V/电位器/10V PWM 4合1

交流输入范围: 100-277VAC

效率高达83%~88%

负载: 10-100%

内置有源PFC功能

保护功能: 短路/过流保护

塑料外壳全面保护易于安装

IP20设计, 适合室内安装/干湿场所

通过自由空气对流冷却

兼容性强, 无闪烁调光

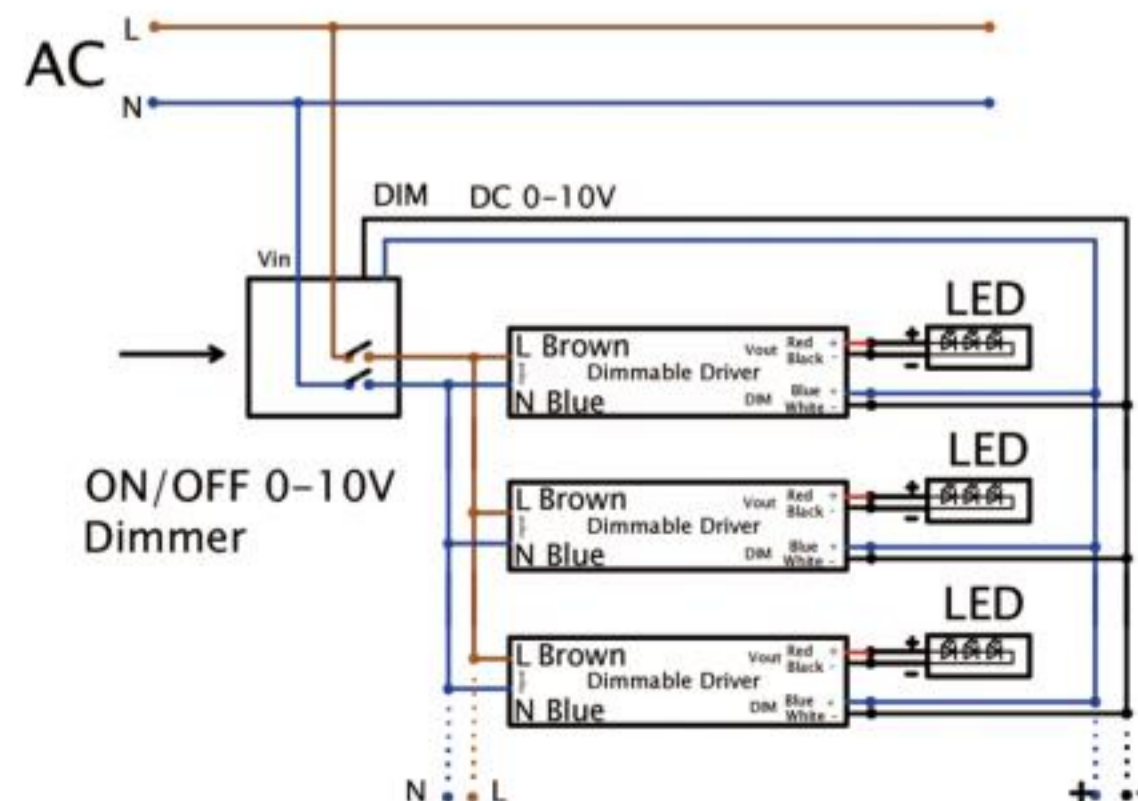
适用于 LED 照明和移动标志应用

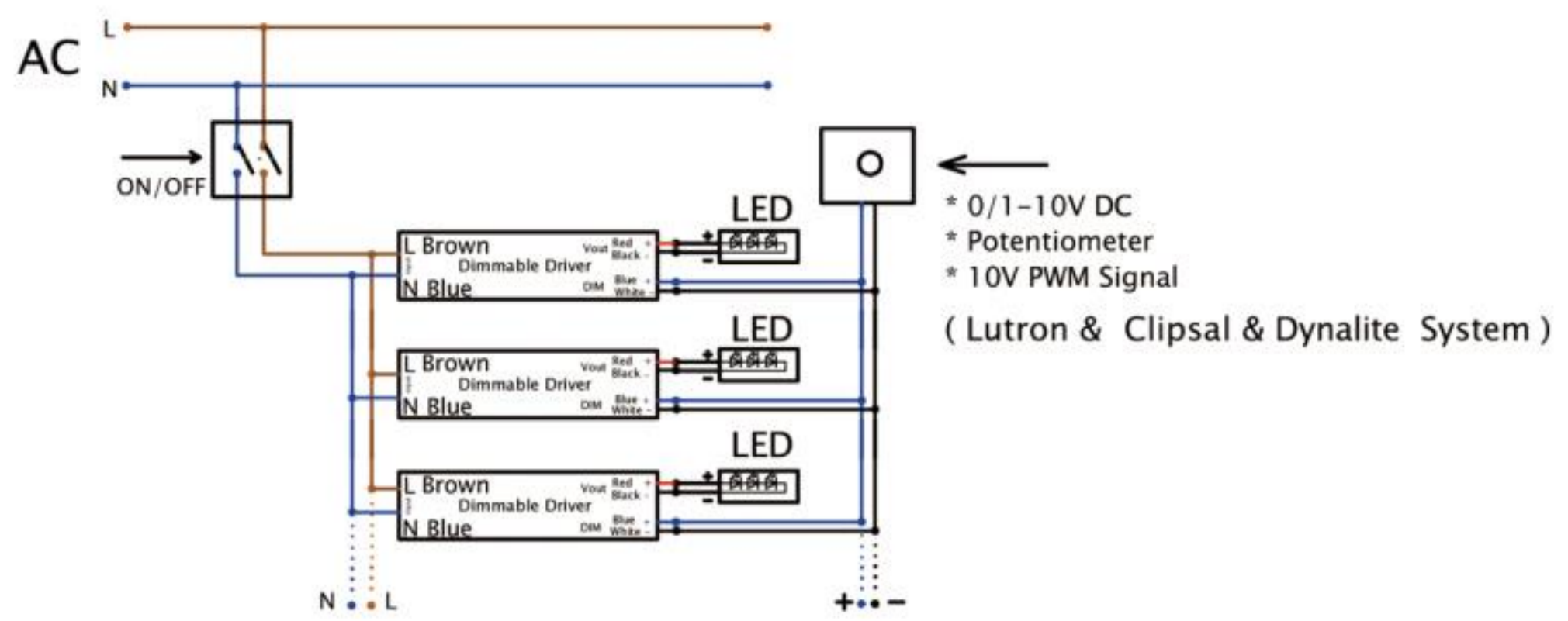
质保期: 7年

认证: UL/cUL、FCC、RoHS、CE、Type HL

Connecting Diagram

接线图

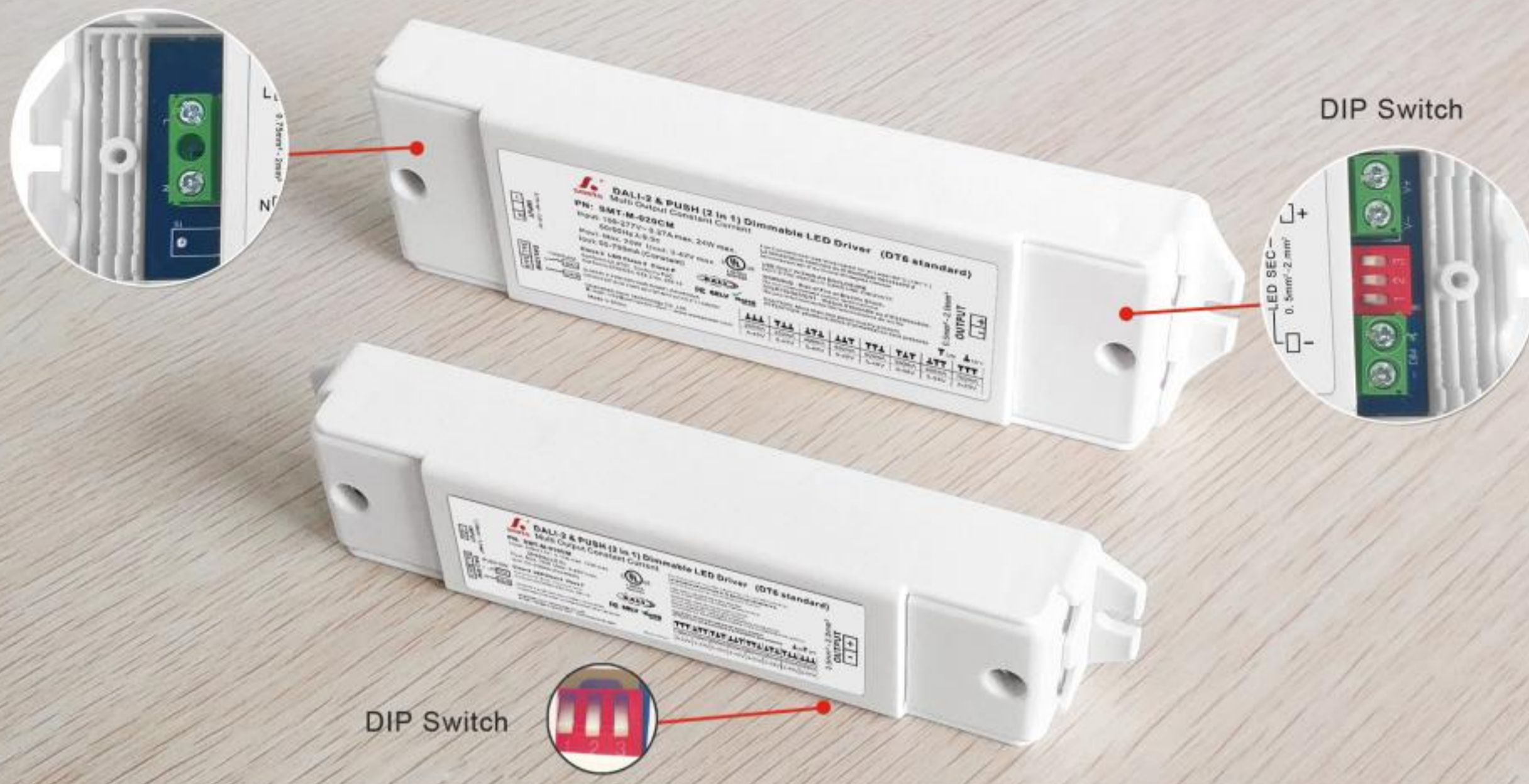




Optional Model

可选型号

Model 型号	Cover Material 外壳材质	Output Voltage 输出电压 (Vdc)	Output Current 输出电流 (mA)	Dip Switch 拨码开关 T ON ↓ OFF	Output Power 输出功率 (Watt)	Product Size 尺寸 (mm)	N/W 净重 (g)
SMT-M-010CD	Plastic(IP20)	3-42V	100mA	T T T	4.2	135*30*20	130
		3-42V	150mA	↓ T T	6.3		
		3-42V	200mA	T ↓ T	8.4		
		3-40V	250mA	↓ ↓ T	10		
		3-33V	300mA	T T ↓	9.9		
		3-29V	350mA	↓ T ↓	10.15		
		3-25V	400mA	T ↓ ↓	10		
		3-22V	450mA	↓ ↓ ↓	9.9		
SMT-M-020CD	Plastic(IP20)	3-42V	250mA	↓ ↓ ↓	10.5	159.5*43*20	150
		3-42V	350mA	T ↓ ↓	14.7		
		3-42V	400mA	↓ T ↓	16.8		
		3-42V	450mA	↓ ↓ T	18.9		
		3-40V	500mA	T T ↓	20		
		3-36V	550mA	T ↓ T	19.8		
		3-33V	600mA	↓ T T	19.8		
		3-28V	700mA	T T T	19.6		
SMT-M-040CD	Plastic(IP20)	3-65V	300mA	↓ ↓ ↓ ↓	19.5	172*54*20	350
		3-65V	350mA	T ↓ ↓ ↓	22.75		
		3-65V	400mA	↓ T ↓ ↓	26		
		3-65V	450mA	T T ↓ ↓	29.25		
		3-65V	500mA	↓ ↓ T ↓	32.5		
		3-65V	550mA	T ↓ T ↓	35.75		
		3-65V	600mA	↓ T T ↓	39		
		3-62V	650mA	T T T ↓	40.3		
		3-57V	700mA	↓ ↓ ↓ T	39.9		
		3-50V	800mA	T ↓ ↓ T	40		
		3-45V	900mA	↓ T ↓ T	40.5		
		3-40V	1000mA	T T ↓ T	40		
		3-37V	1100mA	↓ ↓ T T	40.7		
		3-34V	1200mA	T ↓ T T	40.8		
3-31V	1300mA	↓ T T T	40.3				
3-29V	1400mA	T T T T	40.6				
SMT-M-060CD	Plastic(IP20)	3-65V	600mA	↓ ↓ ↓ ↓	39	171.5*54*20	450
		3-65V	700mA	T ↓ ↓ ↓	45.5		
		3-65V	800mA	↓ T ↓ ↓	52		
		3-65V	900mA	T T ↓ ↓	58.5		
		3-60V	1000mA	↓ ↓ T ↓	60		
		3-54V	1100mA	T ↓ T ↓	59.4		
		3-50V	1200mA	↓ T T ↓	60		
		3-46V	1300mA	T T T ↓	59.8		
		3-43V	1400mA	↓ ↓ ↓ T	60.2		
		3-40V	1500mA	T ↓ ↓ T	60		
		3-38V	1600mA	↓ T ↓ T	60.8		
		3-35V	1700mA	T T ↓ T	59.5		
		3-33V	1800mA	↓ ↓ T T	59.4		
		3-32V	1900mA	T ↓ T T	60.8		
		3-30V	2000mA	↓ T T T	60		
		3-28V	2100mA	T T T T	58.8		



Multi-current DIP Adjustment

DALI-2 & Push Dimming (2 in 1) Output Current Selectable LED Driver [DT6]

DALI-2 & PUSH (2合1)调光多电流可选LED驱动器 [DT6]

Features 特性

- Dimming Function: DALI-2 & PUSH Dimming (2 in 1)
- Range AC input :100-277VAC
- Efficiency up to 83%~88%
- Output constant current for single color DT6
- DALI-2 Protocol IEC62386; PUSH-DIM
- Built-in active PFC function
- Dimming curve: Logarithmic (default) and Linear
- Dimming range: 0-100%, LED start at 0.1% possible
- Protections: short circuit/over current/over temperature
- Full protection plastic housing easy installation
- IP20 design for indoor installation
- Cooling by free air convection
- Strong compatibility, flicker-free dimming
- Suitable for LED lighting and moving sign applications
- 7 years warranty
- Certificate : UL/cUL、FCC、RoHS、CE

- 调光功能: DALI-2 & PUSH 调光 (二合一)
- 交流输入范围: 100-277VAC
- 效率高达83%~88%
- 单色DT6输出恒流
- DALI-2协议IEC62386; PUSH调光
- 内置有源PFC功能
- 调光曲线: 对数 (默认) 和线性调光
- 调光范围: 0-100%, 可以从0.1%开始调光
- 保护功能: 短路/过流保护
- 塑料外壳全面保护易于安装
- IP20设计, 适合室内安装/干湿场所
- 通过自由空气对流冷却
- 兼容性强, 无闪烁调光
- 适用于 LED 照明和移动标志应用
- 质保期: 7年
- 认证: UL/cUL、FCC、RoHS、CE

Application 适用范围

- Indoor & outdoor LED illuminating lights.
- LED City Decoration
- Commercial LED Lighting,
- LED Panels

- 户内外LED照明
- LED城市装饰灯
- 商用LED照明
- LED面板灯

Optional Model

可选型号

Model 型号	Cover Material 外壳材质	Output Voltage 输出电压 (Vdc)	Output Current 输出电流 (mA)	Dip Switch 拨码开关 T ON ↓ OFF	Output power 输出功率 (Watt)	Product Size 尺寸 (mm)	N/W 净重 (g)
SMT-M-010CM	Plastic(IP20)	3-42V	100mA	T T T	10W	135*30*20	130
		3-42V	150mA	↓ T T			
		3-42V	200mA	T ↓ T			
		3-40V	250mA	↓ ↓ T			
		3-33V	300mA	T T ↓			
		3-29V	350mA	↓ T ↓			
		3-25V	400mA	T ↓ ↓			
		3-22V	450mA	↓ ↓ ↓			
SMT-M-020CM	Plastic(IP20)	3-42V	250mA	↓ ↓ ↓	20W	160*43*20	150
		3-42V	350mA	T ↓ ↓			
		3-42V	400mA	↓ T ↓			
		3-42V	450mA	↓ ↓ T			
		3-40V	500mA	T T ↓			
		3-36V	550mA	T ↓ T			
		3-33V	600mA	↓ T T			
		3-28V	700mA	T T T			
SMT-M-040CM	Plastic(IP20)	3-65V	300mA	↓ ↓ ↓ ↓	40W	172*54*20	350
		3-65V	350mA	T ↓ ↓ ↓			
		3-65V	400mA	↓ T ↓ ↓			
		3-65V	450mA	T T ↓ ↓			
		3-65V	500mA	↓ ↓ T ↓			
		3-65V	550mA	T ↓ T ↓			
		3-65V	600mA	↓ T T ↓			
		3-62V	650mA	T T T ↓			
		3-57V	700mA	↓ ↓ ↓ T			
		3-50V	800mA	T ↓ ↓ T			
		3-45V	900mA	↓ T ↓ T			
		3-40V	1000mA	T T ↓ T			
		3-37V	1100mA	↓ ↓ T T			
		3-34V	1200mA	T ↓ T T			
3-31V	1300mA	↓ T T T					
3-29V	1400mA	T T T T					
SMT-M-060CM	Plastic(IP20)	3-65V	600mA	↓ ↓ ↓ ↓	60W	193*62*24	450
		3-65V	700mA	T ↓ ↓ ↓			
		3-65V	800mA	↓ T ↓ ↓			
		3-65V	900mA	T T ↓ ↓			
		3-60V	1000mA	↓ ↓ T ↓			
		3-54V	1100mA	T ↓ T ↓			
		3-50V	1200mA	↓ T T ↓			
		3-46V	1300mA	T T T ↓			
		3-43V	1400mA	↓ ↓ ↓ T			
		3-40V	1500mA	T ↓ ↓ T			
		3-38V	1600mA	↓ T ↓ T			
		3-35V	1700mA	T T ↓ T			
		3-33V	1800mA	↓ ↓ T T			
		3-32V	1900mA	T ↓ T T			
3-30V	2000mA	↓ T T T					
3-28V	2100mA	T T T T					



Dimming Operation & Connecting Diagram

调光操作 & 接线图

1. Dimming wires are installed for Dimming terminals (No polar) and are connected to the DALI BUS when use DALI function .

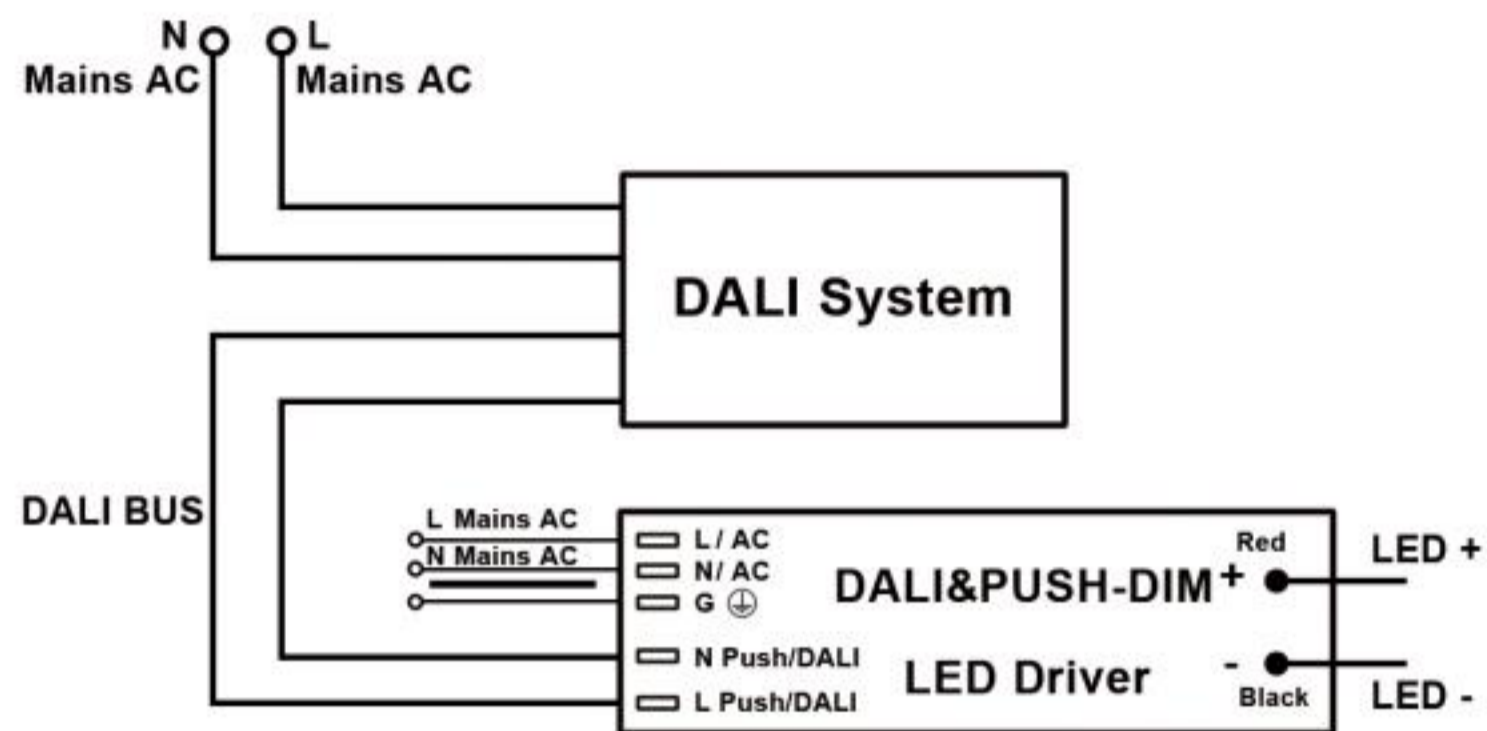
wire (N) is connected to AC (N) while and wire (L) is connected to Push dim switch dimmer(L) when use Push function.

2. Please make sure you connect these correctly otherwise your product will not function correctly and could be damaged.

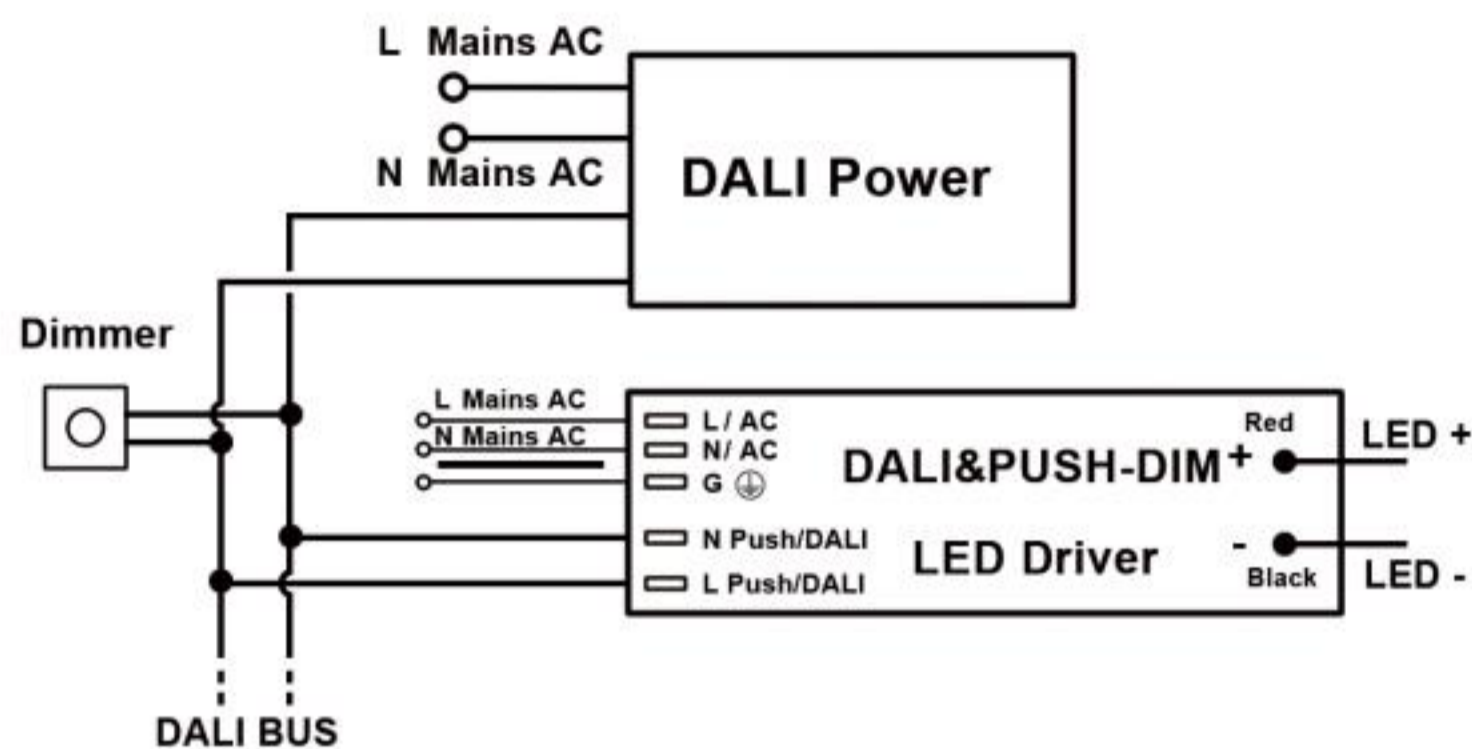
1、调光接线端安装调光线（无极性），使用 DALI 功能时连接到 DALI BUS。

当使用 Push 功能时，线 (N) 连接到 AC (N)，而线 (L) 连接到 Push dim 开关调光器 (L)。

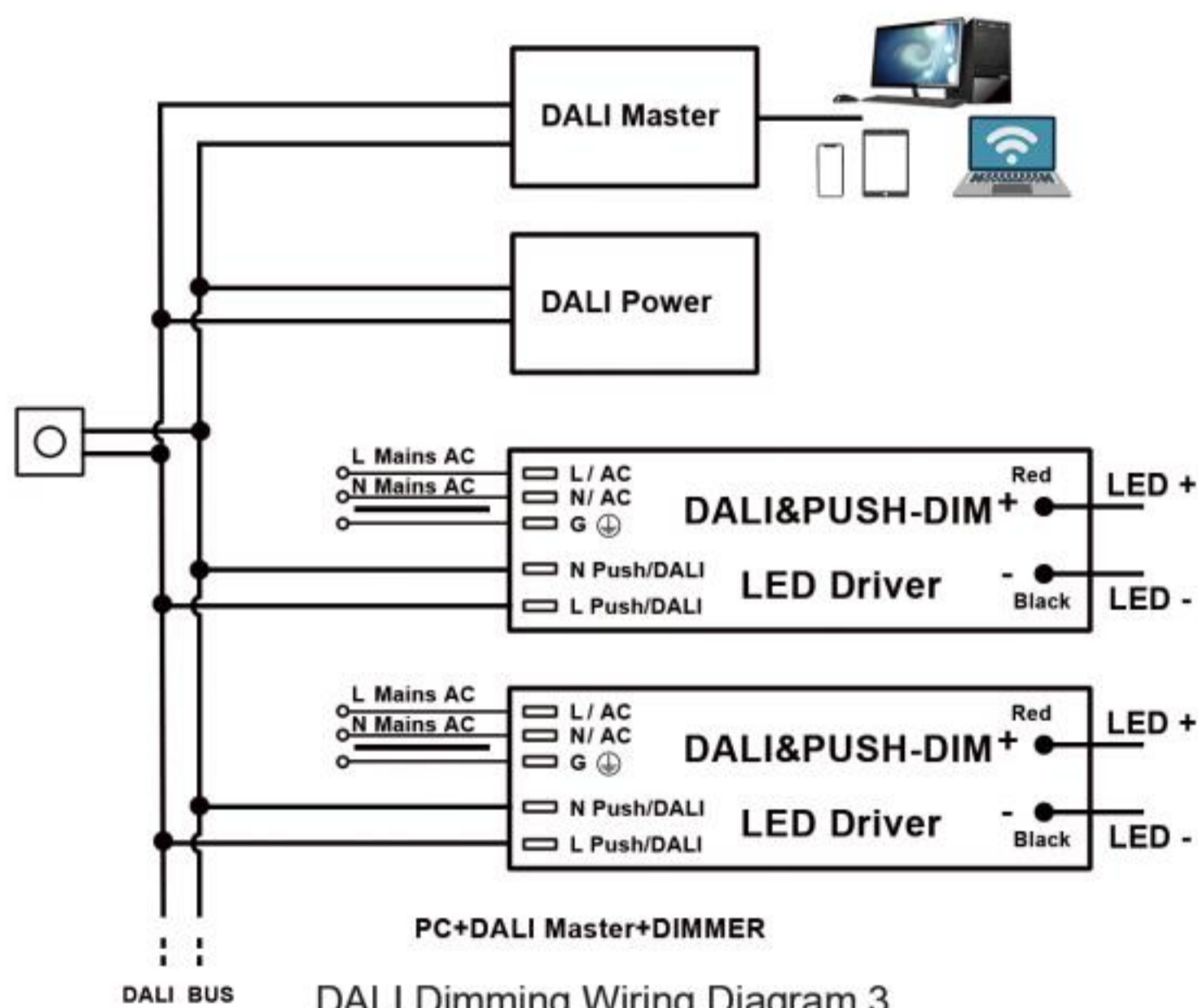
2、请确保正确连接，否则您的产品将无法正常工作并可能损坏。



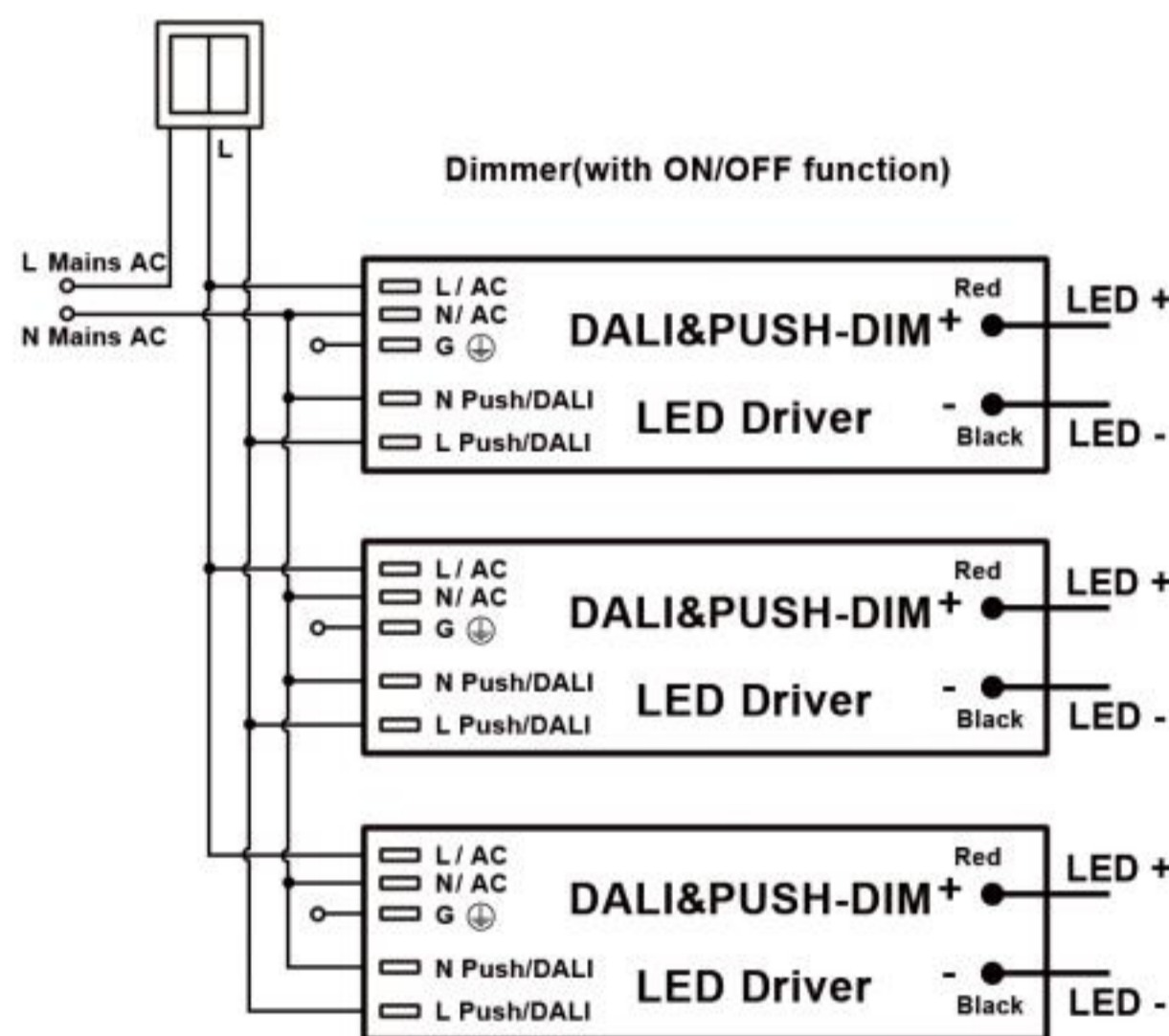
DALI Dimming Wiring Diagram 1



DALI Dimming Wiring Diagram 2



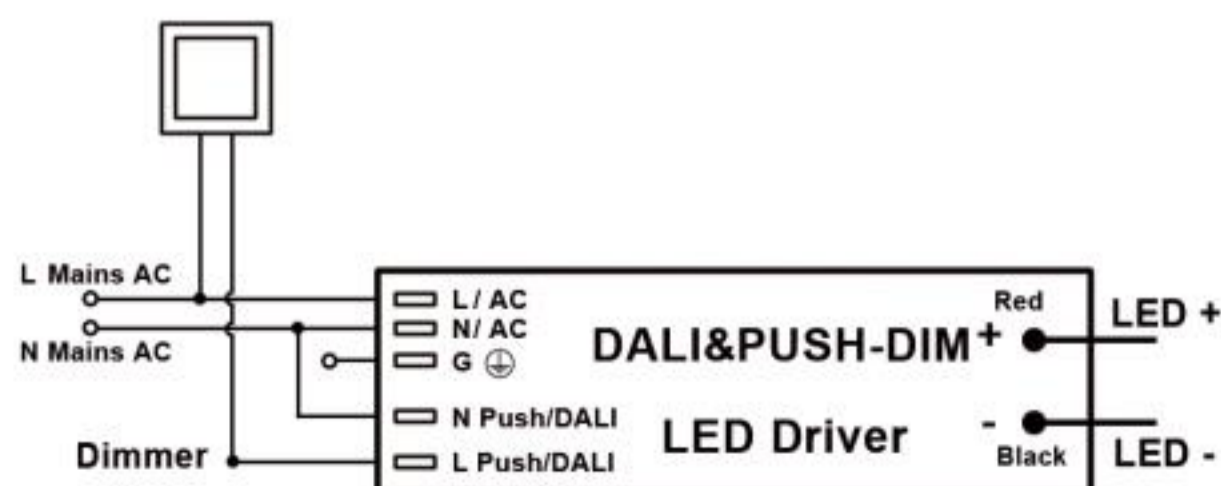
DALI Dimming Wiring Diagram 3



Push-Dimming Wiring Diagram 1

※Note: For DALI Dimming Wiring Diagram 3, please noted that only one DALI power is need in the DALI bus, so no extra DALI power is needed if the Master or Dimmer already includes the DALI Power

※注：DALI调光接线图3，请注意DALI总线中只需要一个DALI电源，所以如果 Master或Dimmer已经包含DALI电源，则不需要额外的DALI电源



Push-Dimming Wiring Diagram 2



Multi-Output Current LED Driver (Multi-current DIP Adjustment)

Many different specification constant current LED drivers integrated into one only. simplify your inventory.

Triac Dimming
 0-10V Dimming
 DALI Dimming DT6 / DT8

DMX512 Dimming
 Triac & 0-10V (5 in 1) Dimming

Multi-current DIP Adjustment

DALI-2 & Push Dimming (2 in 1) Output Current Selectable LED Driver [DT8]

DALI-2 & PUSH (2合1)调光多电流可选LED驱动器 [DT8]

Features 特性

- Dimming Function: DALI-2 & PUSH Dimming (2 in 1)
- Range AC input :100-277VAC
- Efficiency up to 83%~88%
- DALI-2 Protocol IEC62386; PUSH-DIM (CCT dimming)
- Built-in active PFC function
- Dimming curve: Logarithmic (default) and Linear
- Dimming range: 0-100%, LED start at 0.1% possible
- Protections: short circuit/over current/over temperature
- Full protection plastic housing easy installation
- IP20 design for indoor installation
- Cooling by free air convection
- Strong compatibility, flicker-free dimming
- Suitable for LED lighting and moving sign applications
- 7 years warranty
- Certificate : UL/cUL、FCC、RoHS、CE

- **调光功能:** DALI-2 & PUSH 调光 (二合一)
- **交流输入范围:** 100-277VAC
- 效率高达83%~88%
- DALI-2协议IEC62386; PUSH调光(色温调光)
- 内置有源PFC功能
- 调光曲线: 对数(默认)和线性调光
- **调光范围:** 0-100%, 可以从0.1%开始调光
- **保护功能:** 短路/过流保护
- 塑料外壳全面保护易于安装
- IP20设计, 适合室内安装/干湿场所
- 通过自由空气对流冷却
- 兼容性强, 无闪烁调光
- 适用于 LED 照明和移动标志应用
- **质保期:** 7年
- **认证:** UL/cUL、FCC、RoHS、CE

Application 适用范围

- Indoor & outdoor LED illuminating lights. 户内外LED照明
- LED City Decoration LED城市装饰灯
- Commercial LED Lighting, 商用LED照明
- LED Panels LED面板灯

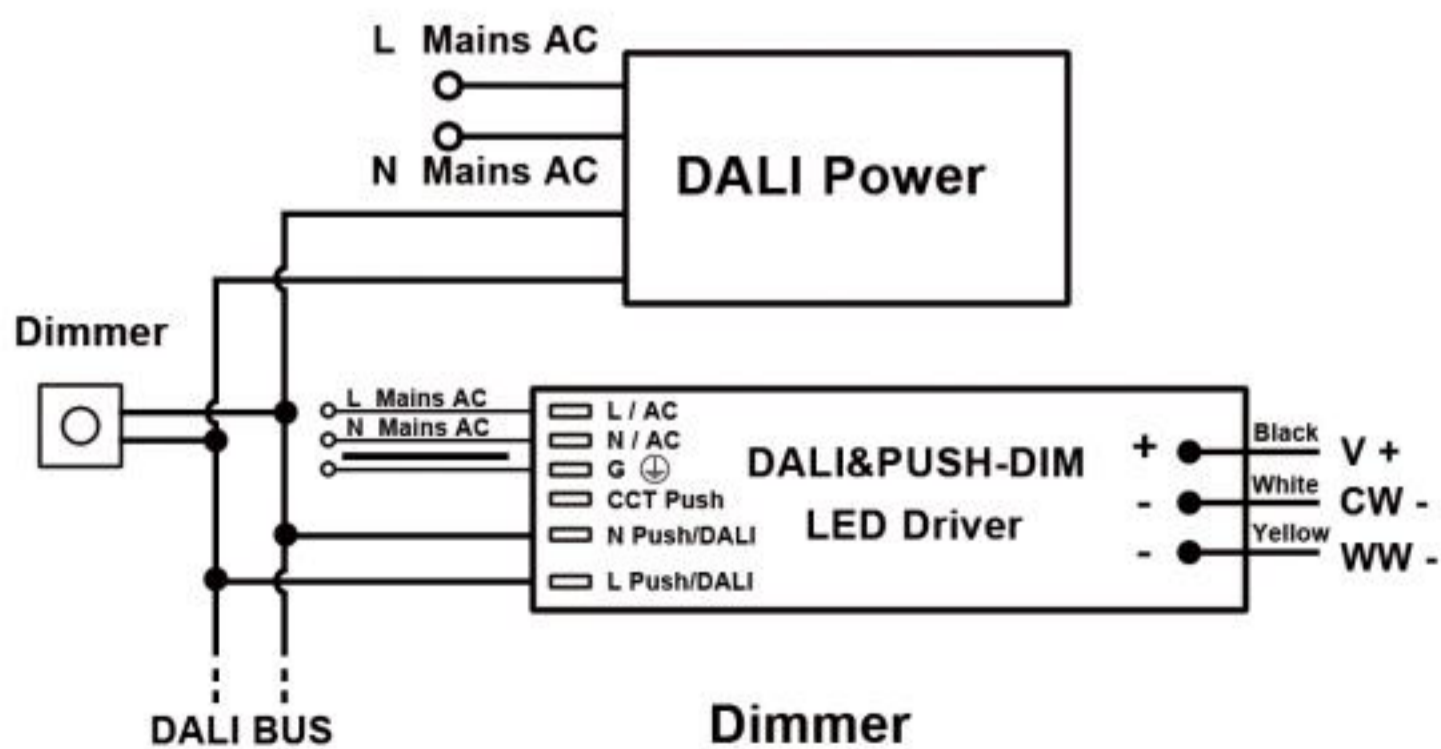
Optional Model

可选型号

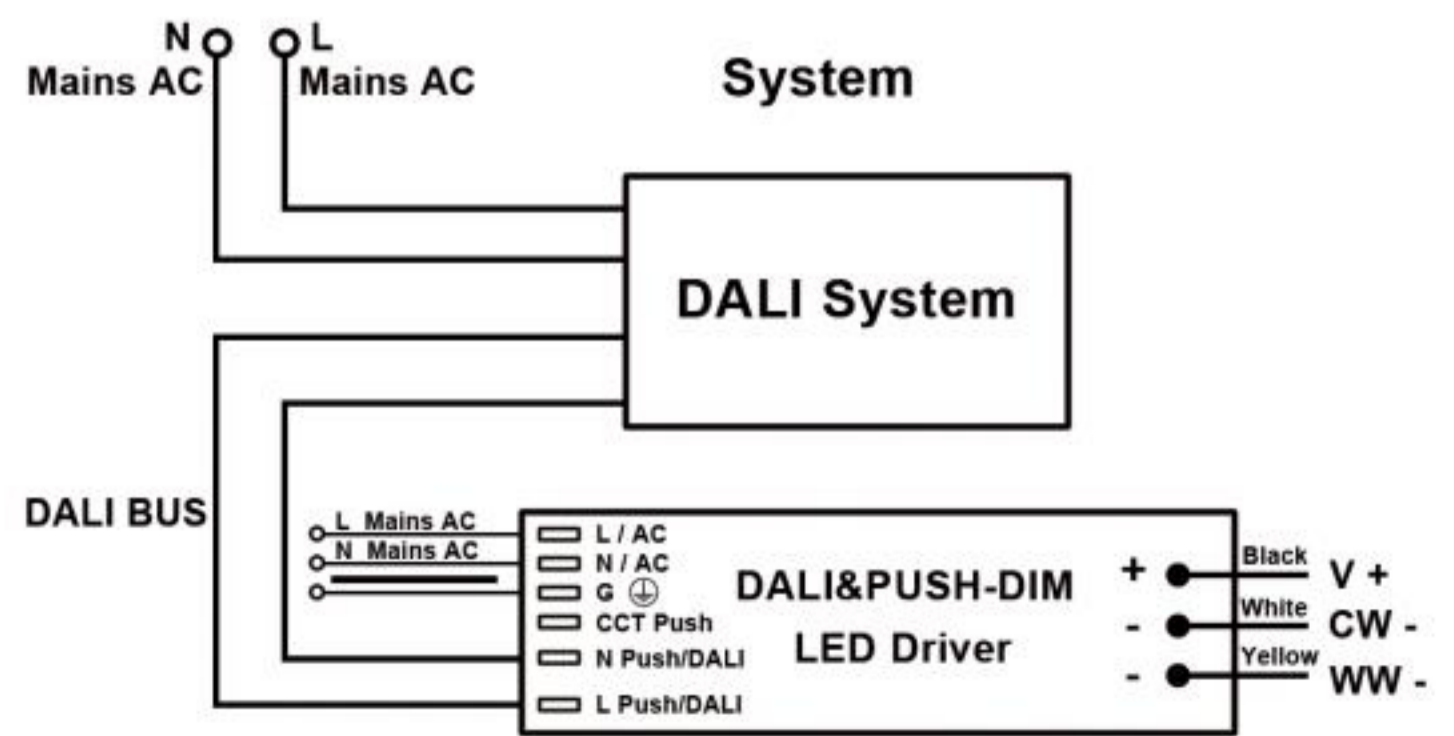
Model 型号	Cover Material 外壳材质	Output Voltage 输出电压 (Vdc)	Output Current 输出电流 (mA)	Dip Switch 拨码开关 T ON ↓ OFF	Output power 输出功率 (Watt)	Product Size 尺寸 (mm)	N/W 净重 (g)
SMT-M-2C-020CM	Plastic(IP20)	6-42V	250mA	↓ ↓ ↓	10.5W	160*43*20	150
		6-42V	350mA	T ↓ ↓	14.7W		
		6-42V	400mA	↓ T ↓	16.8W		
		6-42V	450mA	T T ↓	18.9W		
		6-40V	500mA	↓ ↓ T	20W		
		6-36V	550mA	T ↓ T	19.8W		
		6-33V	600mA	↓ T T	19.8W		
		6-29V	700mA	T T T	19.6W		
SMT-M-2C-040CM	Plastic(IP20)	6-42V	500mA	↓ ↓ ↓ ↓	21W	172*54*20	350
		6-42V	550mA	T ↓ ↓ ↓	23.1W		
		6-42V	600mA	↓ T ↓ ↓	25.2W		
		6-42V	650mA	T T ↓ ↓	27.3W		
		6-42V	700mA	↓ ↓ T ↓	29.4W		
		6-42V	750mA	T ↓ T ↓	31.5W		
		6-42V	800mA	↓ T T ↓	33.6W		
		6-42V	850mA	T T T ↓	35.7W		
		6-42V	900mA	↓ ↓ ↓ T	37.8W		
		6-45V	950mA	T ↓ ↓ T	40.5W		
		6-45V	1000mA	↓ T ↓ T	42.75W		
		6-45V	1050mA	T T ↓ T	45W		
		6-44V	1100mA	↓ ↓ T T	48.4W		
		6-40V	1150mA	T ↓ T T	46W		
		6-36V	1200mA	↓ T T T	43.2W		
		6-33V	1250mA	T T T T	39.6W		
SMT-M-2C-060CM	Plastic(IP20)	6-42V	800mA	↓ ↓ ↓ ↓	33.6W	193*62*24	450
		6-42V	850mA	T ↓ ↓ ↓	35.7W		
		6-42V	900mA	↓ T ↓ ↓	37.8W		
		6-42V	950mA	T T ↓ ↓	39.9W		
		6-42V	1000mA	↓ ↓ T ↓	42W		
		6-42V	1100mA	T ↓ T ↓	46.2W		
		6-42V	1200mA	↓ T T ↓	50.4W		
		6-42V	1300mA	T T T ↓	54.6W		
		6-42V	1400mA	↓ ↓ ↓ T	58.8W		
		6-40V	1500mA	T ↓ ↓ T	60W		
		6-38V	1600mA	↓ T ↓ T	60.8W		
		6-35V	1700mA	T T ↓ T	59.5W		
		6-33V	1800mA	↓ ↓ T T	59.4W		
		6-32V	1900mA	T ↓ T T	60.8W		
		6-30V	2000mA	↓ T T T	60W		
		6-29V	2100mA	T T T T	60.9W		

DALI Dimming Wiring Diagram

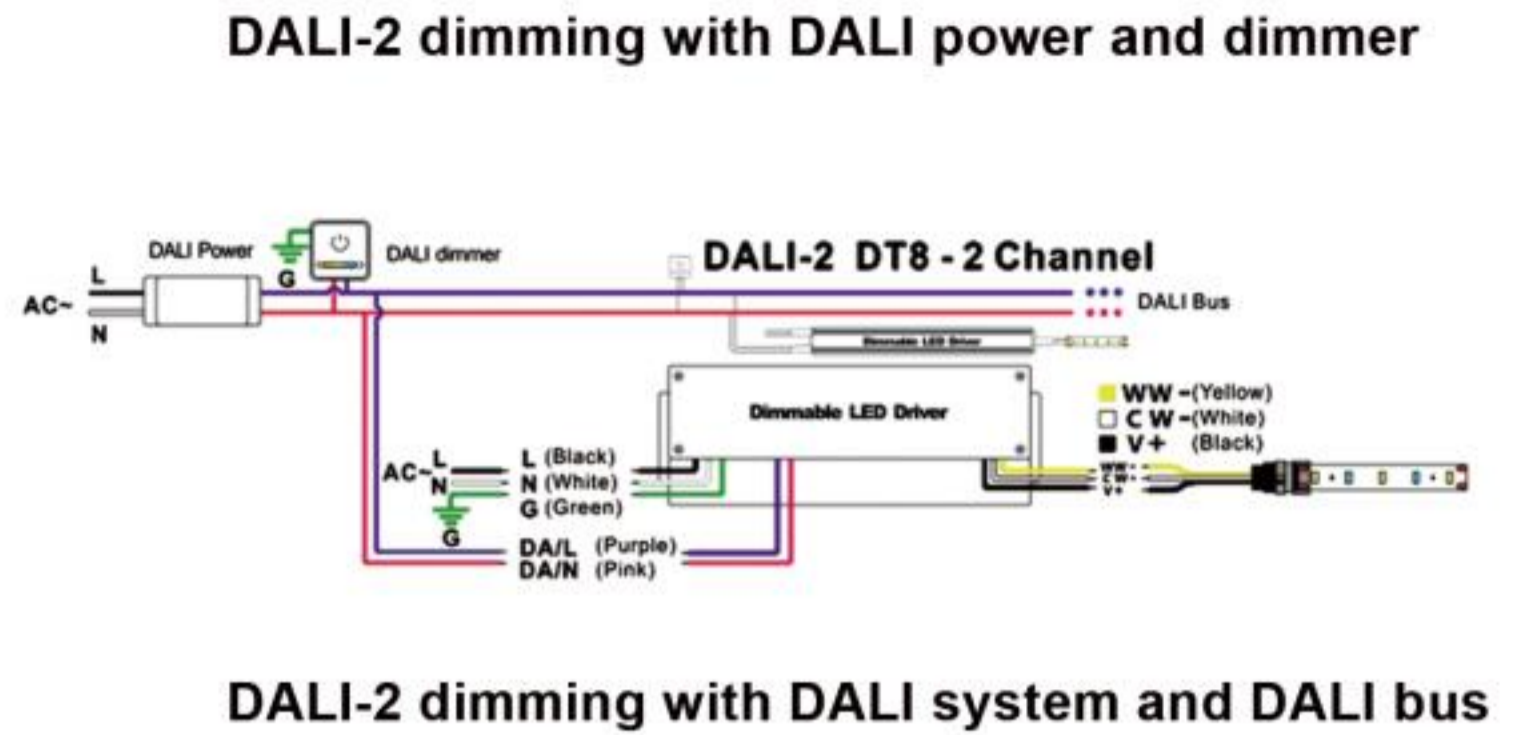
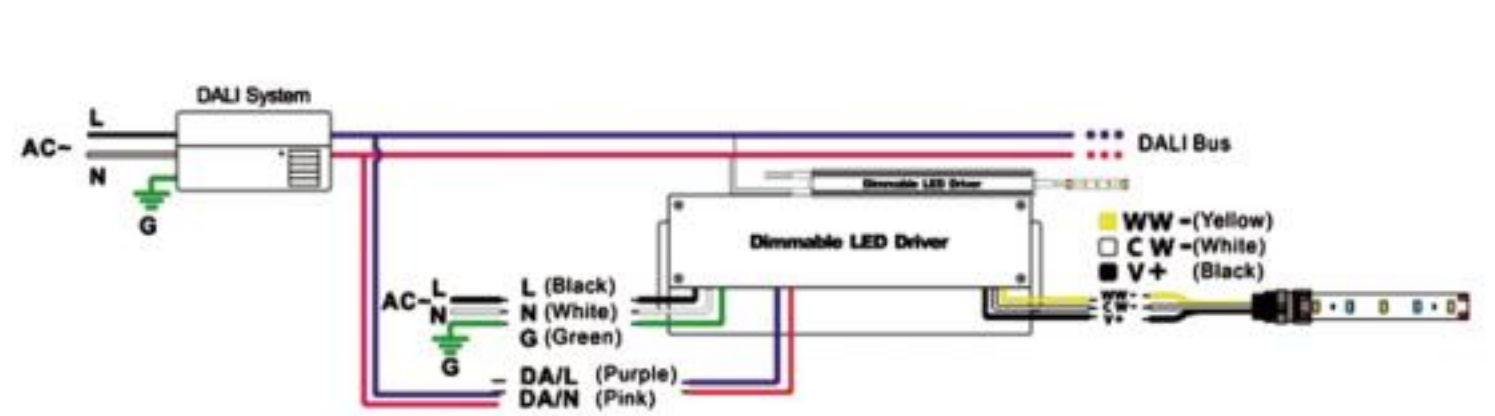
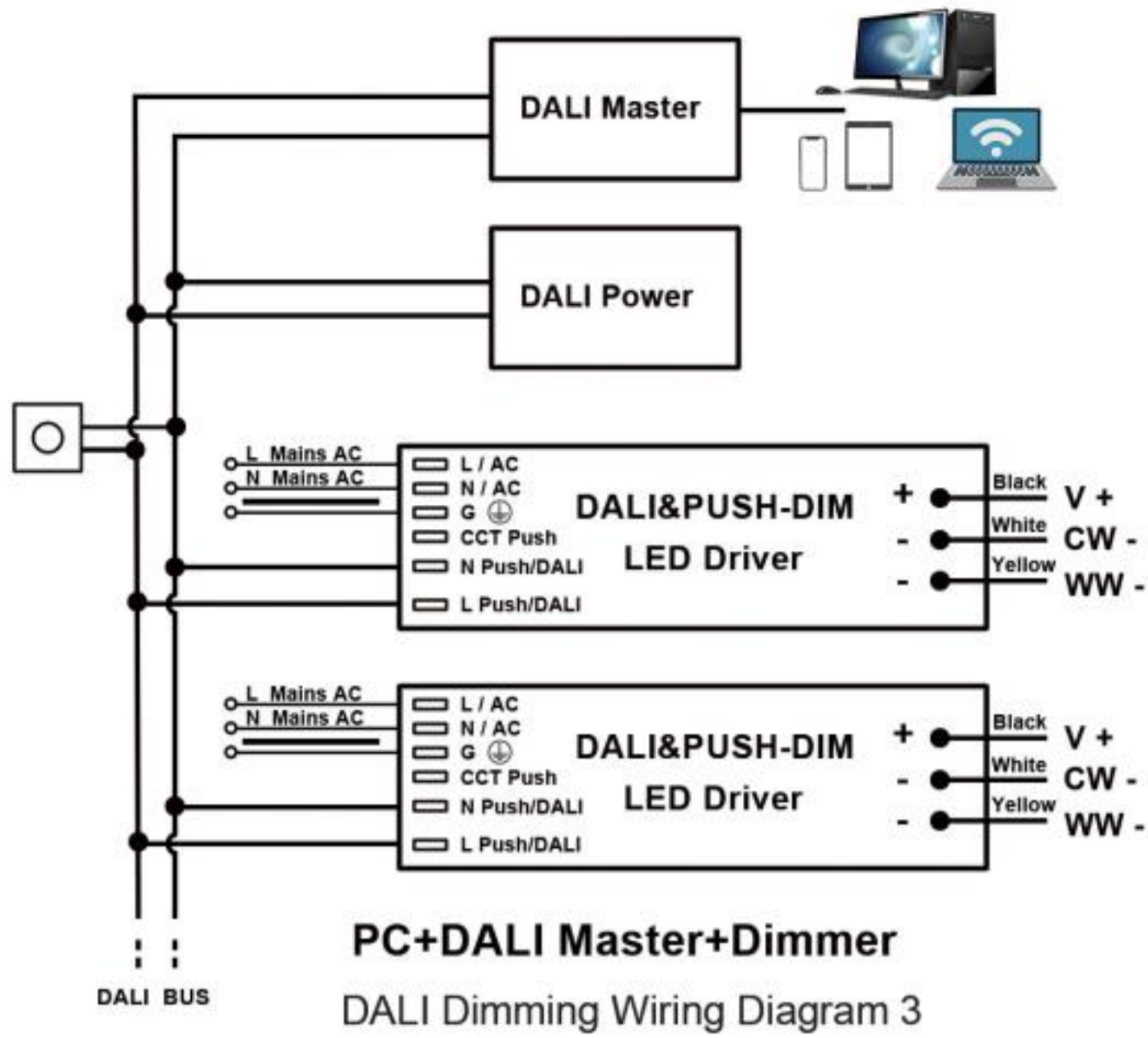
接线图



DALI Dimming Wiring Diagram 1

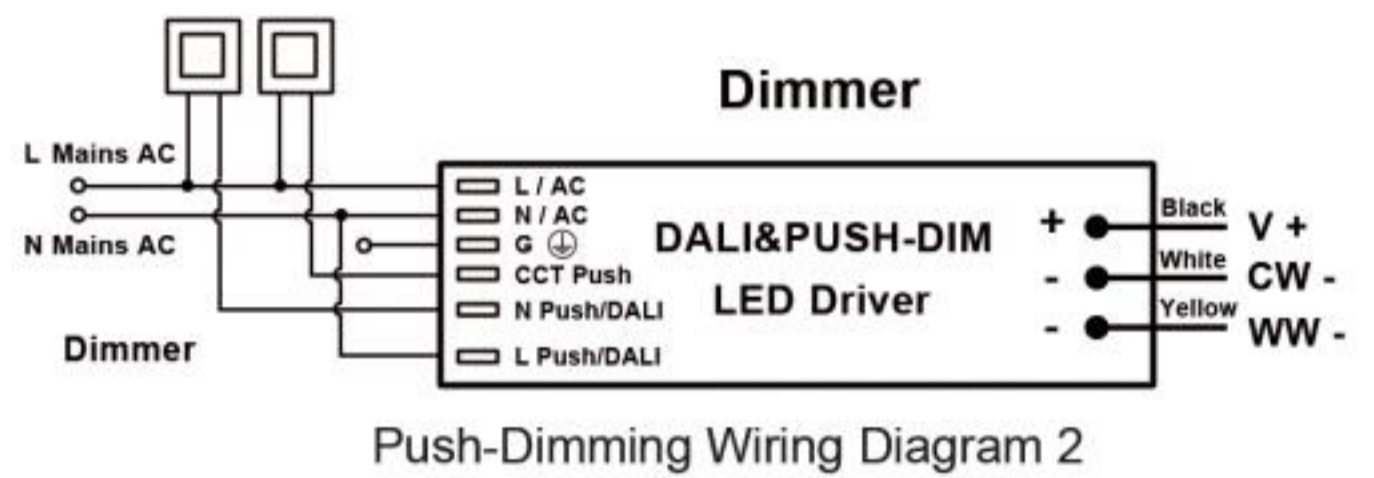
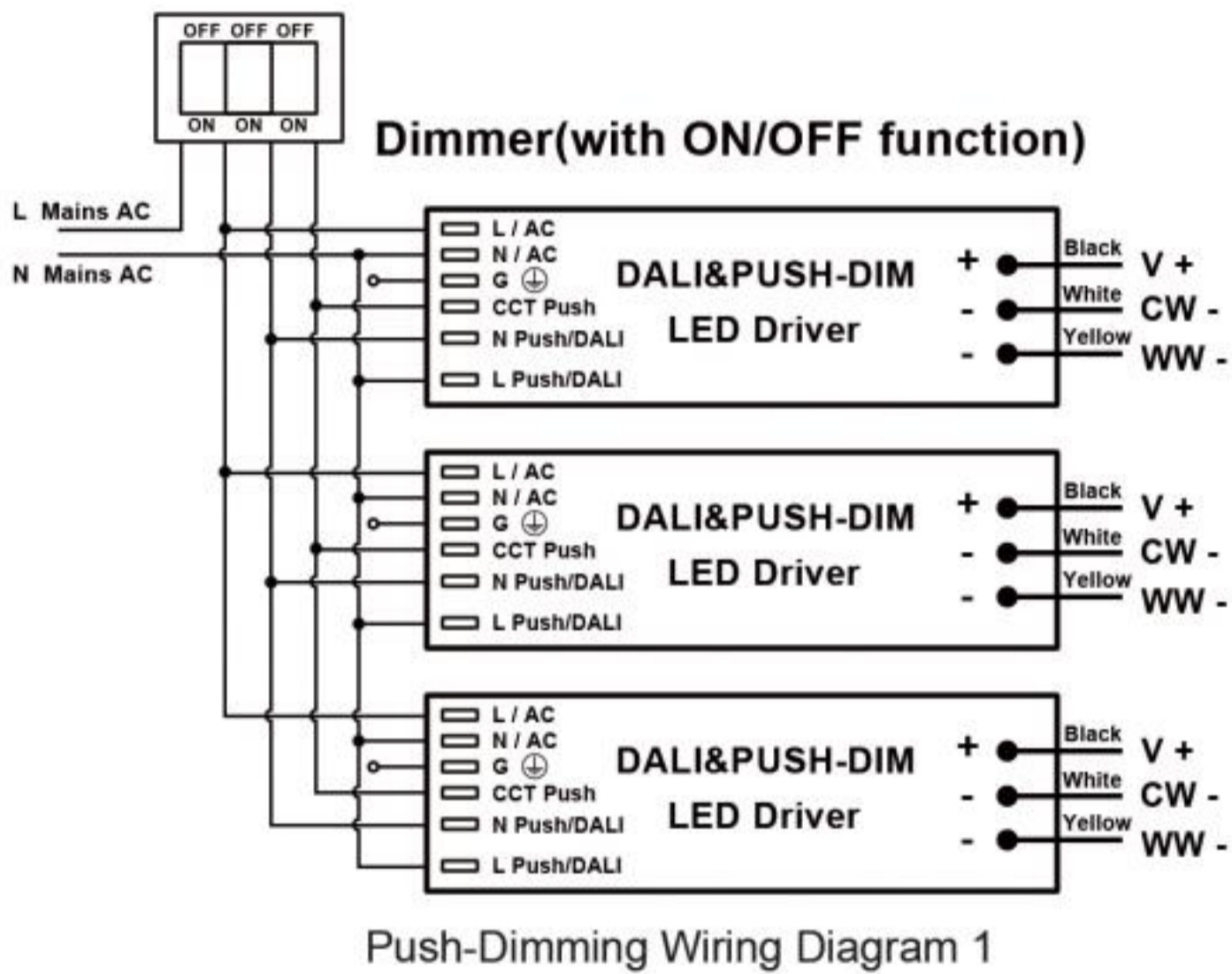


DALI Dimming Wiring Diagram 2



PUSH Dimming Wiring Diagram

接线图



Note: For DALI Dimming Wiring Diagram 3, please noted that only one DALI power is need in the DALI bus, so no extra DALI power is needed if the Master or Dimmer already includes the DALI Power.

注意: 对于 DALI 调光接线图 3, 请注意 DALI 总线中只需要一个 DALI 电源, 因此如果 Master 或 Dimmer 已经包含 DALI 电源, 则不需要额外的 DALI 电源。

Simple operation about DALI-2 address reset by handheld device





Multi-current DIP Adjustment

Triac & 0-10V Dimmable (5 in 1) Output Current Selectable LED Driver

可控硅 & 0-10V (5合1) 调光多电流可选LED驱动器

Features 特性

- Dimming function:
 - Phase dimming: work with forward phase /
 - leading edge ,MLV and Reverse phase /
 - trailing edge ,ELV, TRIAC dimmers
 - 0-10V dimming: 0-10V/1-10V/Potentiometer/
 - 10V PWM 4 in 1
- Range AC input :100-277VAC
- Output : constant current type
- Built-in active PFC function
- High efficiency : 85%~92%
- Protection:short circuit/over loading/ Over temperature
- PWM output, does not change the color index
- IP20 design for indoor installation
- Dimming range: 0-100%
- Suitable for LED lighting and moving sign applications
- UL, cUL listed, Type HL rated. FCC
- 7 Years Warranty

调光功能:

相位调光: 使用正向相位 /前沿、MLV和反相 /后沿, ELV, TRIAC调光器

0-10V调光: 0-10V/1-10V/电阻调光/
10V PWM 四合一

交流输入范围: 100-277VAC

输出: 恒流型

内置有源PFC功能

高效率: 85%~92%

保护功能: 短路/过流保护

PWM输出, 不改变颜色指数

IP20设计, 适合室内安装/干湿场所

调光范围: 0-100%

适用于 LED 照明和移动标志应用

认证: UL, cUL listed, Type HL rated. FCC

质保期: 7年

Application 适用范围

- Indoor & outdoor LED illuminating lights.
- LED City Decoration
- Commercial LED Lighting,
- LED Panels

户内外LED照明灯光

LED城市装饰灯

商用LED照明

LED面板灯

Optional Model

可选型号

Model 型号	Cover Material 外壳材质	Output Voltage 输出电压 (Vdc)	Output Current 输出电流 (mA)	Dip Switch 拨码开关 T ON ↓ OFF	Output power 输出功率 (Watt)	Product Size 尺寸 (mm)	N/W 净重 (g)
SMT-M-010CTD	Plastic(IP20)	3-42V	100mA	T T T	4.2W	135*30*20	130
		3-42V	150mA	↓ T T	6.3W		
		3-42V	200mA	T ↓ T	8.4W		
		3-40V	250mA	↓ ↓ T	10W		
		3-33V	300mA	T T ↓	9.9W		
		3-29V	350mA	↓ T ↓	10.15W		
		3-25V	400mA	T ↓ ↓	10W		
		3-22V	450mA	↓ ↓ ↓	9.9W		
SMT-M-020CTD	Plastic(IP20)	3-42V	250mA	↓ ↓ ↓	10.5W	159.5*43*20	150
		3-42V	350mA	T ↓ ↓	14.7W		
		3-42V	400mA	↓ T ↓	16.8W		
		3-42V	450mA	↓ ↓ T	18.9W		
		3-40V	500mA	T T ↓	20W		
		3-36V	550mA	T ↓ T	19.8W		
		3-33V	600mA	↓ T T	19.8W		
		3-28V	700mA	T T T	19.6W		
SMT-M-040CTD	Plastic(IP20)	3-65V	300mA	↓ ↓ ↓ ↓	19.5W	172*54*20	350
		3-65V	350mA	T ↓ ↓ ↓	22.75W		
		3-65V	400mA	↓ T ↓ ↓	26W		
		3-65V	450mA	T T ↓ ↓	29.25W		
		3-65V	500mA	↓ ↓ T ↓	32.5W		
		3-65V	550mA	T ↓ T ↓	35.75W		
		3-65V	600mA	↓ T T ↓	39W		
		3-62V	650mA	T T T ↓	40.3W		
		3-57V	700mA	↓ ↓ ↓ T	39.9W		
		3-50V	800mA	T ↓ ↓ T	40W		
		3-45V	900mA	↓ T ↓ T	40.5W		
		3-40V	1000mA	T T ↓ T	40W		
		3-37V	1100mA	↓ ↓ T T	40.7W		
		3-34V	1200mA	T ↓ T T	40.8W		
3-31V	1300mA	↓ T T T	40.3W				
3-29V	1400mA	T T T T	40.6W				
SMT-M-060CTD	Plastic(IP20)	3-65V	600mA	↓ ↓ ↓ ↓	39W	171.5*54*20	450
		3-65V	700mA	T ↓ ↓ ↓	45.5W		
		3-65V	800mA	↓ T ↓ ↓	52W		
		3-65V	900mA	T T ↓ ↓	58.5W		
		3-60V	1000mA	↓ ↓ T ↓	60W		
		3-54V	1100mA	T ↓ T ↓	59.4W		
		3-50V	1200mA	↓ T T ↓	60W		
		3-46V	1300mA	T T T ↓	59.8W		
		3-43V	1400mA	↓ ↓ ↓ T	60.2W		
		3-40V	1500mA	T ↓ ↓ T	60W		
		3-38V	1600mA	↓ T ↓ T	60.8W		
		3-35V	1700mA	T T ↓ T	59.5W		
		3-33V	1800mA	↓ ↓ T T	59.4W		
		3-32V	1900mA	T ↓ T T	60.8W		
3-30V	2000mA	↓ T T T	60W				
3-28V	2100mA	T T T T	58.8W				



Dimming Operation & Connecting Diagram

调光操作 & 接线图

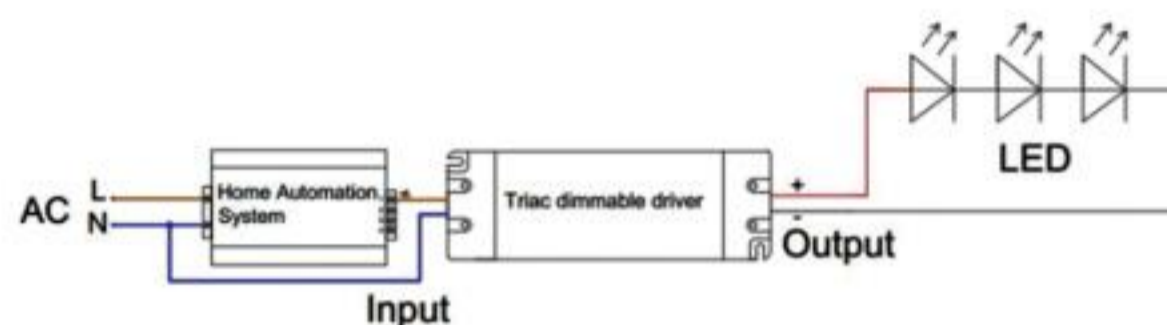
Using TRIAC/Phase Cut Dimming

使用TRIAC/Phase cut调光

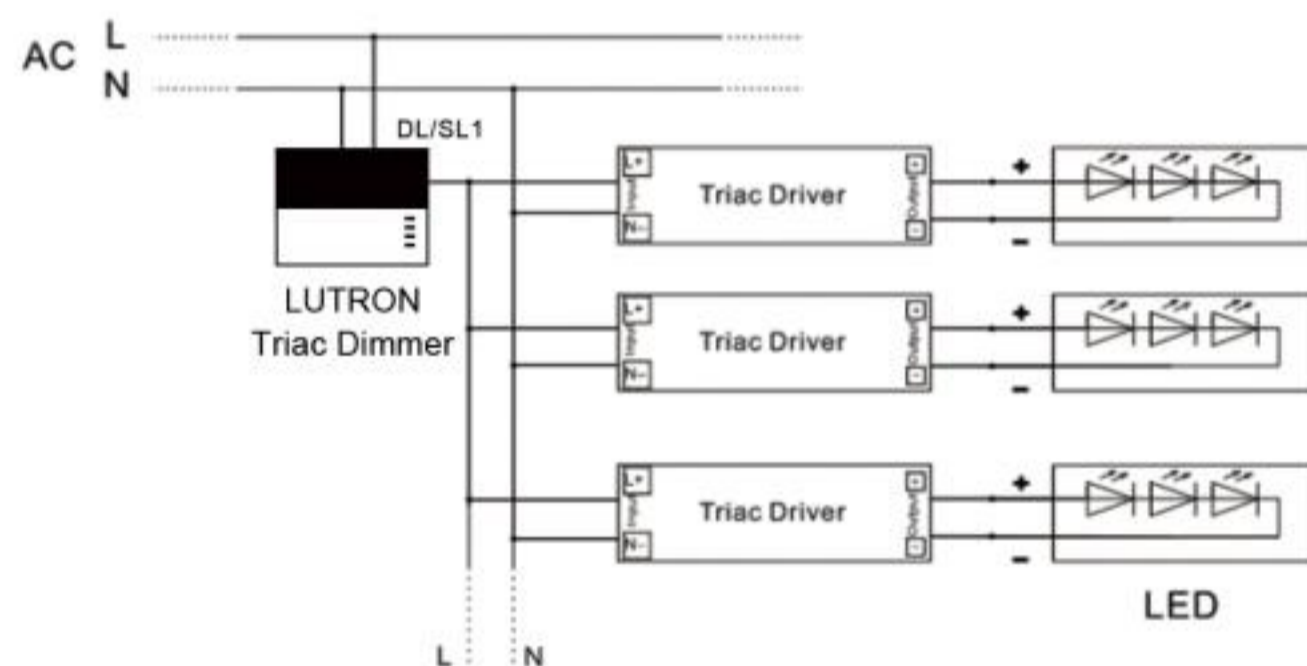
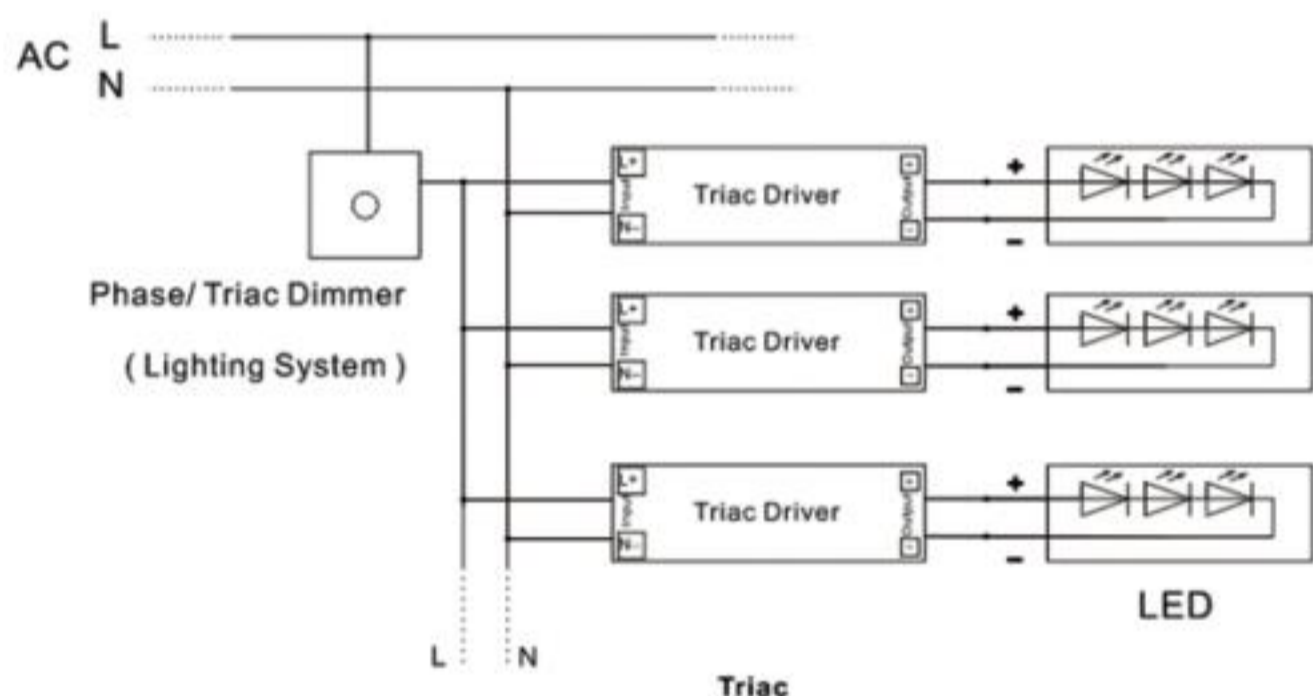
1. The Pulse-Width Modulation (PWM) of output voltage can be adjusted through input terminal of the AC phase line(L) by connection a phase / Triac dimmer of lighting system.
2. Work with forward phase /leading edge ,MLV and reverse phase / trailing edge ,ELV,TRIAC dimmers.
3. Please try to use dimmers with power at least 1.5 times as the output power of the driver.

- 1、输出电压的脉宽调制 (PWM) 可以通过交流相线 (L) 的输入端连接照明系统的相位/可控硅调光器来调节。
- 2、与正相/前沿, MLV和反相/后沿, ELV, TRIAC调光器一起工作。
- 3、请尽量使用功率至少为驱动器输出功率1.5倍的调光器。

Connecting Diagram in Single (I)

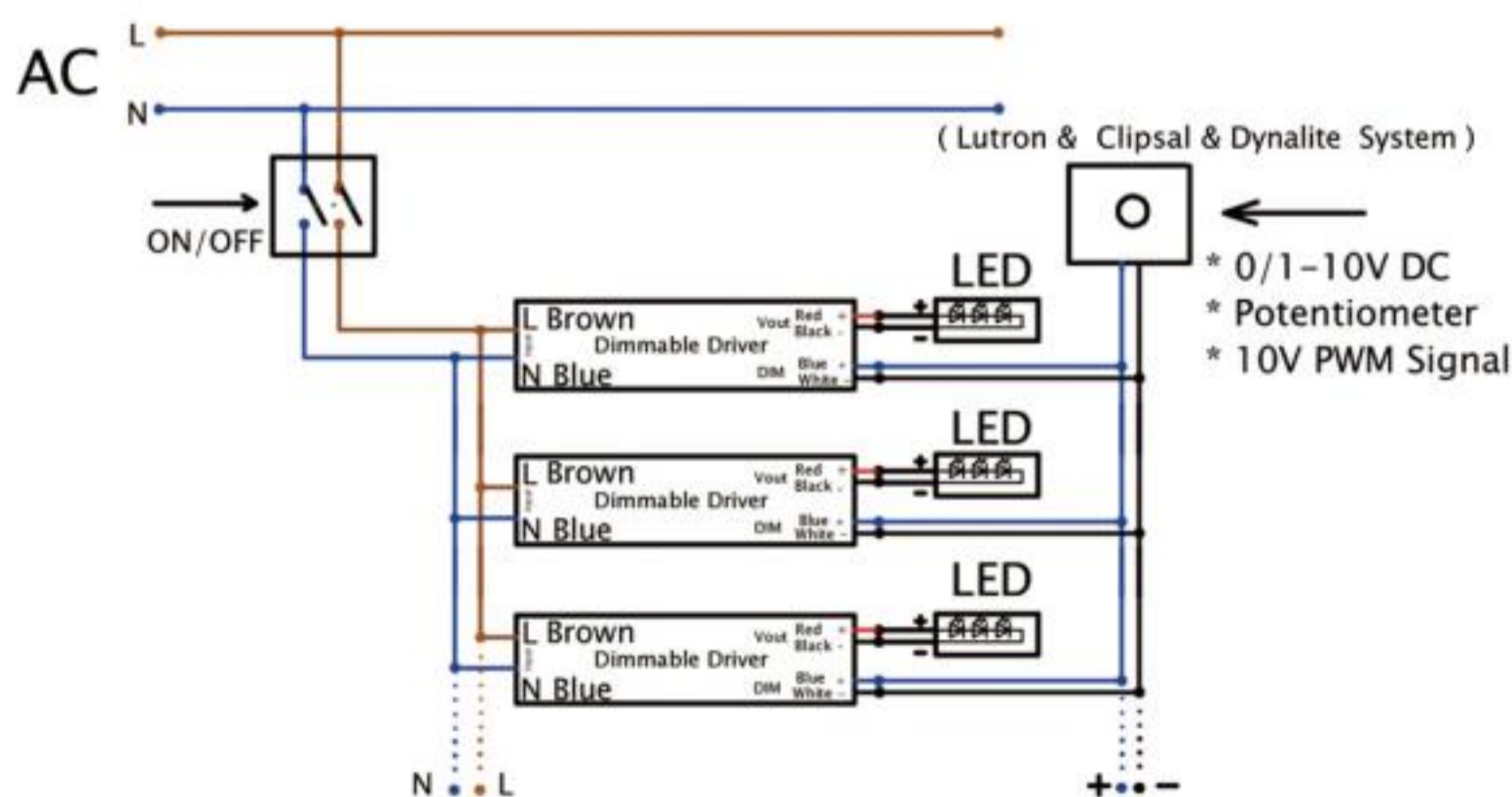
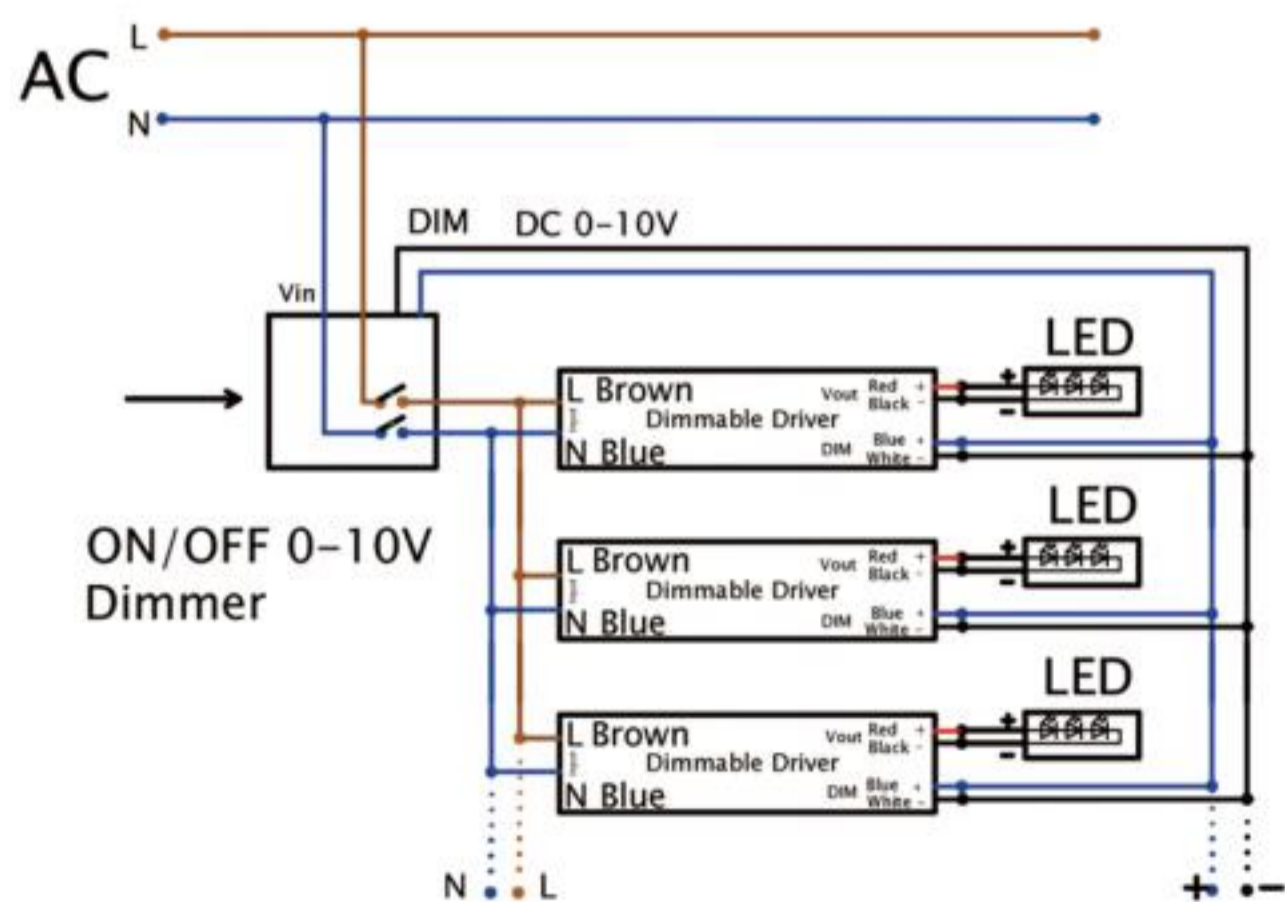


Connecting Diagram Multiple (II)



Using one Dimming ---0-10V/1-10V Dimming

使用0-10V/1-10V调光







Multi-current DIP Adjustmen

DMX512 Dimmable Output Current Selectable LED Driver

DMX512调光多电流可选LED驱动器

Features 特性

- Dimming Function: DMX512 dimming;
DMX512 signal isolation
- Output : cconstant current output. Output current adjustable slightly to solve the line loss problem
- Input Range: 100-277VAC
- Efficiency up to 76% ~88%
- Built-in active PFC function, PF≥0.95~0.97
- 1 CH independent outputs: DW
- With the RDM (Remote Device Management) function
- With NFC (Near Field Communication) function, read and write DMX512 address or adjust output voltage by mobile NFC app (or special NFC device) .
- Dimming range: 0-100%
- Comply with DMX512 international standard.
- Comply with the World Lighting Safety Standard, Designed with DMX512 signal isolation.
- IP20 design for indoor installation
- 7 years warranty
- UL/cUL、Type HL rated、FCC

调光功能: DMX512调光; DMX512信号隔离

输出: 恒流输出。微可调恒流, 解决线损问题

输入范围: 100-277VAC

效率高达76%~88%

内置有源PFC功能, PF≥0.95~0.97

1路独立输出: DW

具有 RDM (远程设备管理) 功能

具有NFC (近场通信) 功能, 通过手机NFC应用 (或专用NFC设备) 读写DMX512地址或调整输出电压。

符合DMX512国际标准。

符合世界照明安全标准, 采用 DMX512 信号隔离设计。

IP20设计, 适合室内安装/干湿场所

质保期: 7年

认证: UL/cUL、Type HL rated、FCC

Application 适用范围

- Indoor & outdoor LED illuminating lights.
- LED City Decoration
- Commercial LED Lighting,
- LED Panels

户内外LED照明

LED城市装饰灯

商用LED照明

LED面板灯

Optional Model

可选型号

Model 型号	Cover Material 外壳材质	Output Voltage 输出电压 (Vdc)	Output Current 输出电流 (mA)	Dip Switch 拨码开关 T ON L OFF	Output power 输出功率 (Watt)	Product Size 尺寸 (mm)	N/W 净重 (g)
SMT-M-010CX-1C-P	Plastic(IP20)	3-42V	100mA	T T T	4.2	135*30*20	75
		3-42V	150mA	L T T	6.3		
		3-42V	200mA	T L T	8.4		
		3-40V	250mA	L L T	10		
		3-33V	300mA	T T L	9.9		
		3-29V	350mA	L T L	10.15		
		3-25V	400mA	T L L	10		
		3-22V	450mA	L L L	9.9		
SMT-M-020CX-1C-P	Plastic(IP20)	3-42V	250mA	L L L	10.5	159.5*43*20	115
		3-42V	350mA	T L L	14.7		
		3-42V	400mA	L T L	16.8		
		3-42V	450mA	L L T	18.9		
		3-40V	500mA	T T L	20		
		3-36V	550mA	T L T	19.8		
		3-33V	600mA	L T T	19.8		
		3-28V	700mA	T T T	19.6		
SMT-M-040CX-1C-P	Plastic(IP20)	3-65V	300mA	L L L L	19.5	171.5*54*20	225
		3-65V	350mA	T L L L	22.75		
		3-65V	400mA	L T L L	26		
		3-65V	450mA	T T L L	29.25		
		3-65V	500mA	L L T L	32.5		
		3-65V	550mA	T L T L	35.75		
		3-65V	600mA	L T T L	39		
		3-62V	650mA	T T T L	40.3		
		3-57V	700mA	L L L T	39.9		
		3-50V	800mA	T L L T	40		
		3-45V	900mA	L T L T	40.5		
		3-40V	1000mA	T T L T	40		
		3-37V	1100mA	L L T T	40.7		
		3-34V	1200mA	T L T T	40.8		
		3-31V	1300mA	L T T T	40.3		
		3-29V	1400mA	T T T T	40.6		
SMT-M-060CX-1C-P	Plastic(IP20)	3-65V	600mA	L L L L	39	171.5*54*20	350
		3-65V	700mA	T L L L	45.5		
		3-65V	800mA	L T L L	52		
		3-65V	900mA	T T L L	58.5		
		3-60V	1000mA	L L T L	60		
		3-54V	1100mA	T L T L	59.4		
		3-50V	1200mA	L T T L	60		
		3-46V	1300mA	T T T L	59.8		
		3-43V	1400mA	L L L T	60.2		
		3-40V	1500mA	T L L T	60		
		3-38V	1600mA	L T L T	60.8		
		3-35V	1700mA	T T L T	59.5		
		3-33V	1800mA	L L T T	59.4		
		3-32V	1900mA	T L T T	60.8		
3-30V	2000mA	L T T T	60				
3-28V	2100mA	T T T T	58.8				



Dimming Operation & Connecting Diagram

调光操作 & 接线图

DMX512 Dimming

DMX512 调光

1. Input terminal with 3P; Live Wire(L) , Neutral Wire (N) . Note: vacant for middle terminal

2. Output terminals with 5P; LED SEC positive (LED+), LED negative (LED-). Connected to LED light;

3. Common anode design 3P for DIM (DMX512) dimming;

1. 3P输入端子；火线（L），中性线（N）。注：中间端子空置。

2. 5P输出端子；LED SEC 正极 (LED+)，LED 负极 (LED-)。接LED灯；

3. DIM（DMX512）调光的共阳极设计3P；

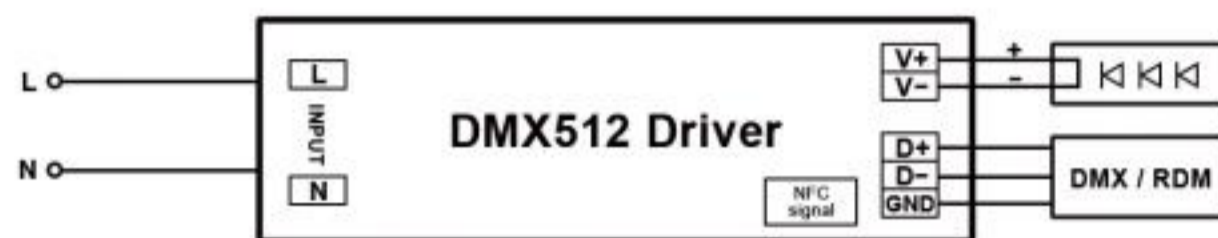


Diagram - 1 CH

DMX512 Address Setting Operation

DMX512地址设置操作

The default address for DMX driver is 001.

DMX驱动默认地址为001。

Address settings:

地址设置：

① RDM setting address:

Set the address by the RDM device. For detailed operation, please refer to RDM device instruction manual.

① RDM 设置地址：

通过 RDM 设备设置地址。详细操作请参考 RDM 设备使用说明书。

② NFC setting address:

The DMX address can be read and written by a mobile with NFC APP or NFC handheld device (NFC read & write device: NFC-RW) by close to the NFC signal area of the DMX512 driver.

② NFC设置地址：

靠近 DMX512 驱动器的 NFC 信号区，可以通过带有 NFC APP 的手机或 NFC 手持设备（NFC 读写设备：NFC-RW）读写 DMX 地址。

Setting Operation Steps

设置操作步骤：

Simple operation about DMX512 address reset and adjusting output voltage slighting by a mobile with NFC APP or NFC handheld device (NFC read & write device: NFC-RW)

通过带有NFC APP或NFC手持设备（NFC读写设备：NFC-RW）的手机进行DMX512地址复位和调整输出电压的简单操作

Scan the QR code to download the NFC APP

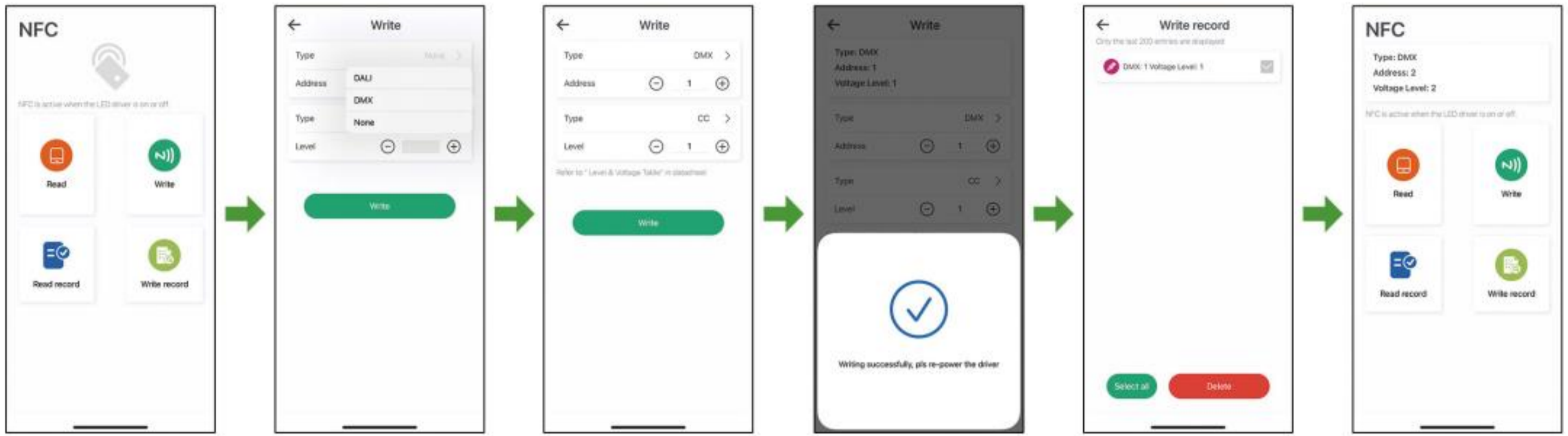
扫描二维码下载NFC APP



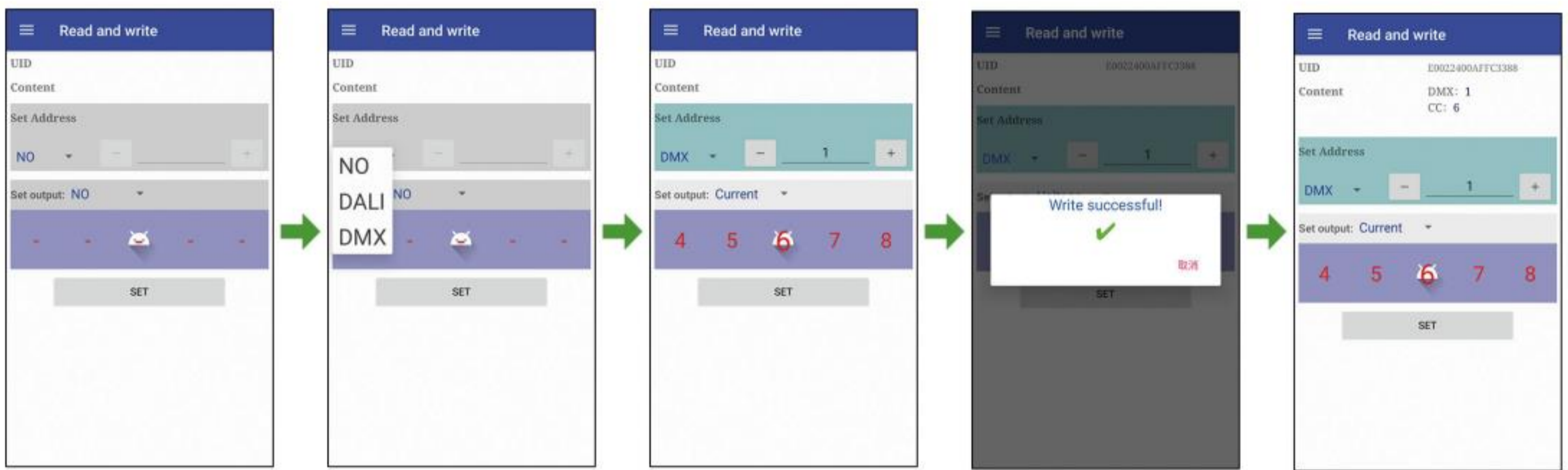
Android



iPhone



NFC Address settings Operation interface (IOS)



NFC Address settings Operation interface (Android)



Main interface

Read

Setting address an output voltage

Write

Successfully

NFC Handheld devices

DMX512 Dimmable Constant Voltage

DMX512 Dimmable Constant Voltage LED Driver

DMX512调光恒压电源

Features

特性

- **Dimming Function:** DMX512; DMX512 signal isolation
- **Output:** Constant Voltage Output. Voltage Adjustable to Solve the Problem of Line Loss Via NFC APP
- **Input Range:** 100-277VAC
- Built-in active PFC function, PF≥0.95~0.98
- Efficiency up to 82% ~91%
- Different channels to be chosen, 1CH~5CH
- 5 CH independent outputs: RGBCW.
- Insulation on DMX 512 dimming end
- **Dimming range:** 0-100%
- Flicker-free, f ≥ 4K Hz STROBOSCOPIC exemption
- With the RDM (Remote Device Management) function.
- With NFC function, read and write DMX512 address or adjust output voltage by mobile NFC APP or special NFC device.
- NFC to fine tuning output voltage and set address
- **Protections:** short circuit/ over load/ over temperature
- Cooling by free air convection
- 7 years warranty

调光功能: DMX512; DMX512信号隔离

输出方式: 恒压输出。用NFC APP可做电压微调, 解决线损问题。

输入范围: 100-277VAC

内置有源PFC功能, PF≥0.95~0.98

效率高达 82% ~91%

可选择不同的通道, 1CH~5CH

5路独立输出: RGBCW

DMX 512 调光端绝缘

调光范围: 0-100%

无闪烁, f≥4K Hz STROBOSCOPIC 豁免

具有RDM (远程设备管理) 功能。

具备NFC功能, 可通过手机NFC APP或专用NFC设备读写DMX512地址或调整输出电压。

NFC 微调输出电压和设置地址

保护功能: 短路/过压、过温保护功能

通过自由空气对流冷却

质保期: 7年

Optional Shell

可选外壳

SMT- yy###-xC-P

SMT- yy###-xC-A



DC 12V 24V 48V , 30W-300W

Standard Size

SMT-yy###-xC-ADJ



DC 12V 24V 48V , 30W-300W

built-in Junction Box

Whole Family

SMT-yy###-xC-z

x = 1,2,3,4,5 CH;

z = A (IP67) ; P (IP20) ; ADJ(built-in Junction Box)

yy = 12VDC , 24VDC ,48VDC

= 30W 60W 100W 120W 150W 200W 300W



Optional Model (Standard Size DMX512 Dimmable LED Driver)

可选型号 (DMX512常规尺寸LED 驱动)

Model 型号	Cover Material 外壳材质	Output Voltage 输出电压 (Vdc)	Output Current 输出电流 (Amp)	Output power 输出功率 (Watt)	Product Size 尺寸 (mm)	N/W 净重 (g)
SMT-yy030-xC-P	Plastic(IP20)	12/24/48	2.5/1.25/0.625	30	171.5*54*20	300
SMT-yy060-xC-P	Plastic(IP20)	12/24/48	5/2.5/1.25	60	192.5*62*24	350
SMT-yy080-xC-A	Aluminum(IP67)	12/24/48	6.66/3.33/1.66	80	230*78*25	800
SMT-yy100-xC-A	Aluminum(IP67)	12/24/48	8.33/4.17/2.08	100	230*78*25	800
SMT-yy120-xC-A	Aluminum(IP67)	12/24/48	10/5/2.5	120	230*78*25	800
SMT-yy150-xC-A	Aluminum(IP67)	12/24/48	12.5/6.25/3.12	150	277*78*25	900
SMT-yy200-xC-A	Aluminum(IP67)	12/24/48	16.67/8.33/4.17	200	277*78*25	900
SMT-yy300-xC-A	Aluminum(IP67)	12/24/48	25/12.5/6.25	300	301*78*25	1100

Optional Model (J-Box DMX512 Dimmable LED Driver)

可选型号 (DMX512壳机一体LED 驱动)

Model 型号	Cover Material 外壳材质	Output Voltage 输出电压 (Vdc)	Output Current 输出电流 (Amp)	Output power 输出功率 (Watt)	Product Size 尺寸 (mm)	N/W 净重 (g)
SMT-yy030-xC-ADJ	Metal Housing (NEMA 4X)	12/24/48	2.5/1.25/0.625	30W	165*94.5*40	910
SMT-yy060-xC-ADJ		12/24/48	5/2.5/1.25	60W	188*94.5*40	1100
SMT-yy080-xC-ADJ		12/24/48	6.66/3.33/1.66	80W	220*94.5*40	1400
SMT-yy100-xC-ADJ		12/24/48	8.33/4.17/2.08	100W	220*94.5*40	1400
SMT-yy120-xC-ADJ		12/24/48	10/5/2.5	120W	220*94.5*40	1400
SMT-yy150-xC-ADJ		12/24/48	12.5/6.25/3.12	150W	260*105*45	2050
SMT-yy200-xC-ADJ		12/24/48	16.67/8.33/4.17	200W	260*105*45	2050
SMT-yy300-xC-ADJ		12/24/48	25/12.5/6.25	300W	278*108*45	2450

Dimming Operation & Connecting Diagram

调光操作 & 接线图

DMX512 Dimming

DMX512 调光

※Dimming cable Purple (D+), Brown (D-) and Gray (GND) connect to DMX dimmer / system.

※Output cable to be connected to LED Light;

DIM (DW) Dimming: Rubber cable Black is output (V+) Positive, White is output (V-) negative

CCT (TW) Dimming: 1015 electronic cable, (V+) 16AWG; (V-) 18AWG Black is output (V+) Positive, White (CW-) and Yellow (WW-) are output (V-) negative

RGB Dimming: 1015 electronic cable, (V+) 16AWG; (V-) 18AWG Black is output (V+) Positive, Red (R-), Green (G-) and Blue (B-) are output (V-) negative

RGBW Dimming: 1015 electronic cable, (V+) 16AWG; (V-) 18AWG Black is output (V+) Positive, Red (R-), Green (G-), Blue (B-), White (W-) are output (V-) negative

RGB+CCT Dimming: 1015 electronic cable, (V+) 16AWG; (V-) 18AWG Black is output (V+) Positive, Red (R-), Green (G-), Blue (B-), White (CW-) and Yellow (WW-) are output (V-) negative.;

※Please make sure you connect these correctly, otherwise your product will not work correctly and could be damaged.

Note: there is external antenna at output side. Don't disassemble!

※调光线：紫色 (D+)、棕色 (D-) 和灰色 (GND) 连接到 DMX调光器/系统。

※连接LED灯的输出线；

DIM (DW) 调光：橡胶线 黑色为输出 (V+) 正极，白色为输出 (V-) 负极

CCT (TW) 调光：1015电子线，(V+) 16AWG；(V-) 18AWG 黑色是输出 (V+) 正极，而 (CW-) 和黄色 (WW-) 是输出 (V-) 负极

RGB调光：1015电子线，(V+) 16AWG；(V-) 18AWG 黑色为输出 (V+) 正极，红色 (R-)、绿色 (G-) 和蓝色 (B-) 为输出 (V-) 负极

RGBW调光：1015电子线，(V+) 16AWG；(V-) 18AWG 黑色为输出 (V+) 正极，红色 (R-)，绿色 (G-)，蓝色 (B-)，白色 (W-) 为输出 (V-) 负极

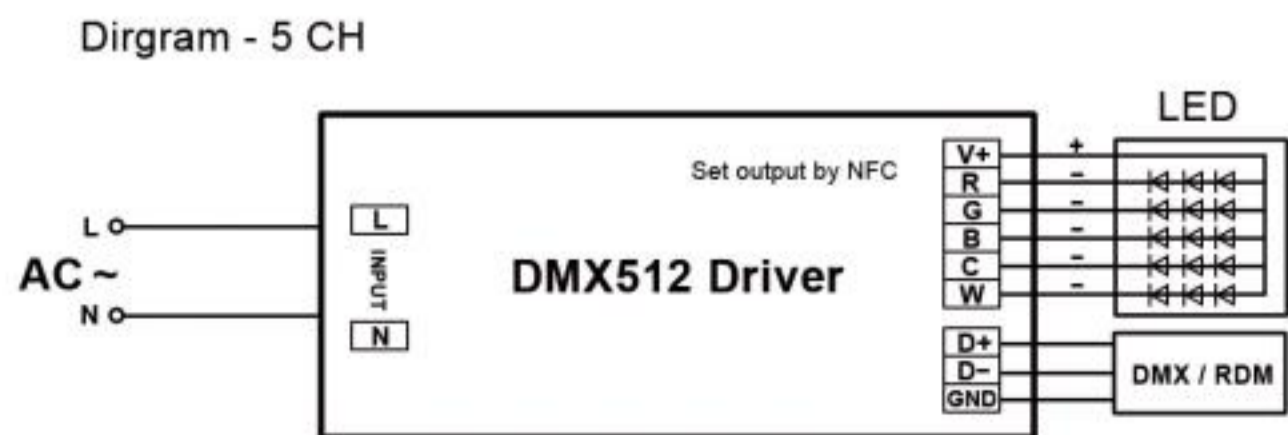
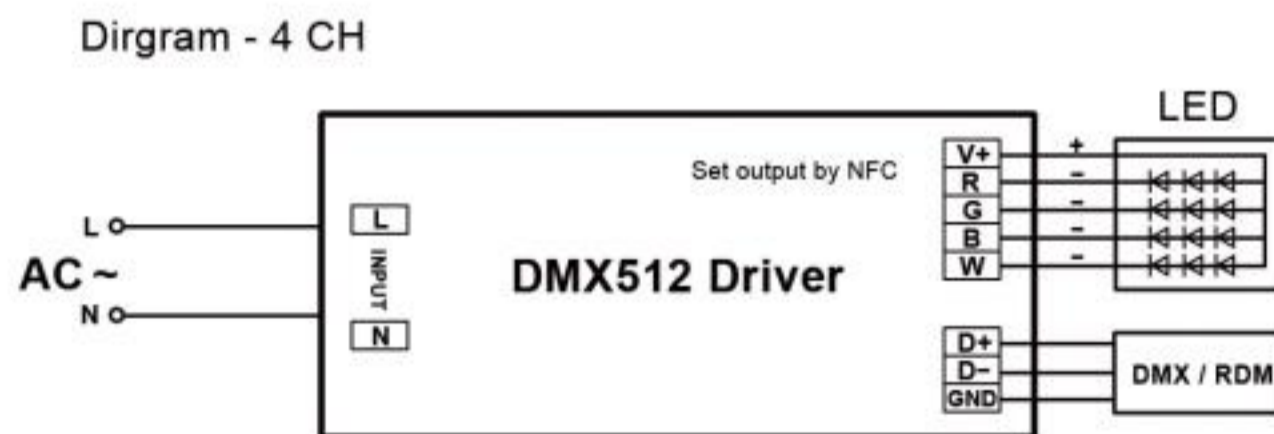
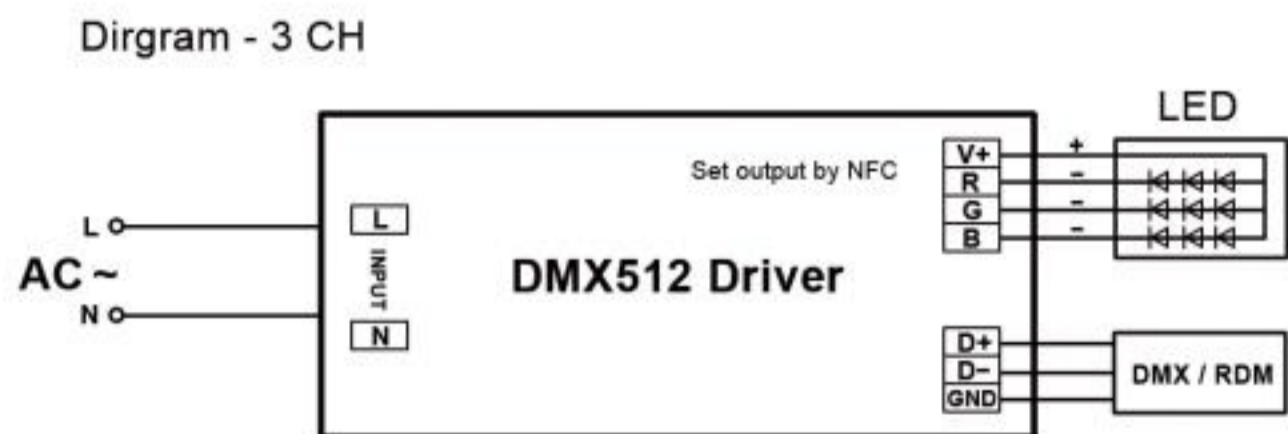
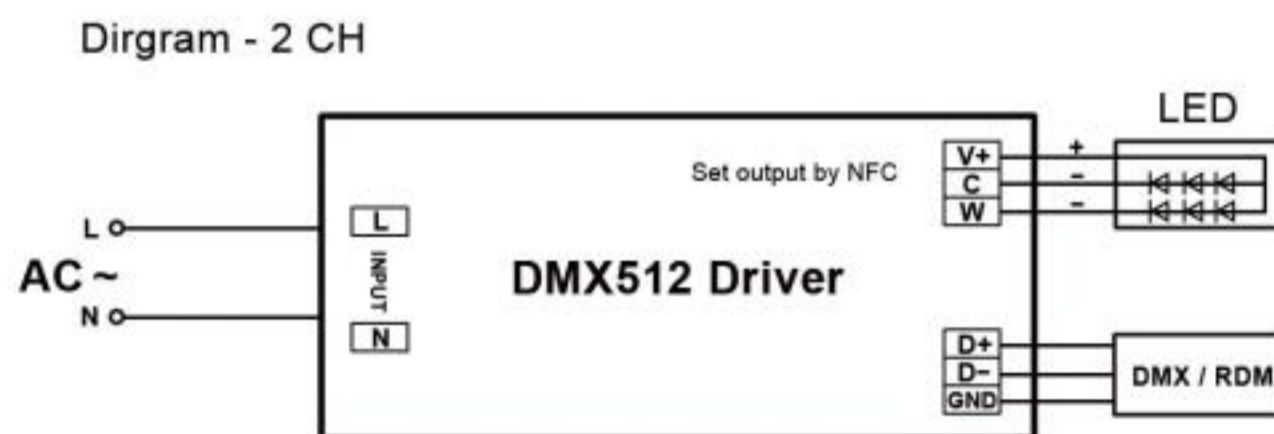
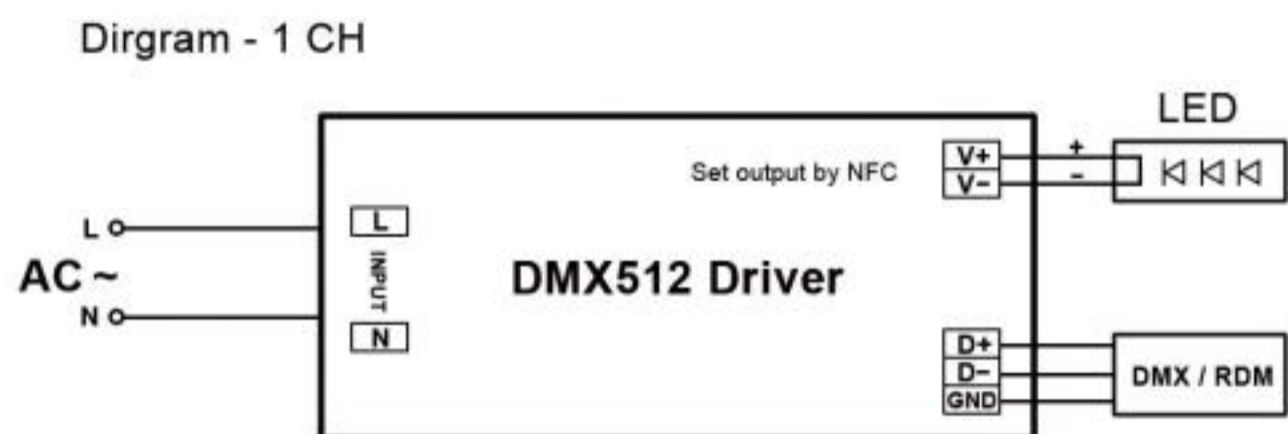
RGB+CCT调光：1015电子线，(V+) 16AWG；(V-) 18AWG, 黑色为输出 (V+) 正极，红色 (R-)、绿色 (G-)、蓝色 (B-) 白色 (CW-) 和黄色 (WW-) 为输出 (V-) 负极。

※请确保您正确连接这些，否则您的产品将无法正常工作并可能损坏。

注：输出端有外接天线。不要拆机！

Connecting Diagram

接线图



DMX512 Address Setting Operation

DMX512地址设置操作

The default address for DMX driver is 001.

DMX驱动默认地址为001。

Address settings:

地址设置:

① RDM setting address:

Set the address by the RDM device. For detailed operation, please refer to RDM device instruction manual.

① RDM 设置地址:

通过 RDM 设备设置地址。详细操作请参考 RDM 设备使用说明书。

② NFC setting address:

The DMX address can be read and written by a mobile with NFC APP or NFC handheld device (NFC read & write device: NFC-RW) by close to the NFC signal area of the DMX512 driver.

② NFC设置地址:

靠近 DMX512 驱动器的 NFC 信号区，可以通过带有 NFC APP 的手机或 NFC 手持设备（NFC 读写设备：NFC-RW）读写 DMX 地址。

Setting Operation Steps

设置操作步骤:

Simple operation about DMX512 address reset and adjusting output voltage slighting by a mobile with NFC APP or NFC handheld device (NFC read & write device: NFC-RW)

通过带有 NFC APP 或 NFC 手持设备（NFC 读写设备：NFC-RW）的手机进行 DMX512 地址复位和调整输出电压的简单操作

Scan the QR code to download the NFC APP

扫描二维码下载 NFC APP



Android



iPhone



WiFi Dimmable Constant Voltage

WiFi Dimmable Constant Voltage LED Driver

(WiFi) 无线调光LED驱动器

Features

特性

- | | |
|---|---|
| <ul style="list-style-type: none"> ● Output constant Voltage ● Range: 100-277VAC ● Built-in active PFC function ● Efficiency up to 88%~92% ● Protections: short circuit /over load /over temperature ● Cooling by free air convection; IP20 design for indoor installation ● Dimming function: WIFI wireless dim., which can be controller by Mobile App or Smart speaker, like Google home or Amazon echo ● Adopt TUYA module, 8K Hz PWM output; ● Minimum dimmability is 1% ● Different channels to be chosen, 1CH~5CH ● Suitable for intelligent LED lighting for all over the world ● 7 Years Warranty ● UL/cUL, FCC, CE, ROHS | <p>输出恒压</p> <p>输入电压范围: 100-277VAC</p> <p>内置有源PFC功能</p> <p>效率高达88%~92%</p> <p>保护机制: 短路/过载/过温</p> <p>自然空气对流冷却; IP20 设计, 适合室内安装</p> <p>调光功能: WIFI无线调光, 可通过手机APP或智能音箱控制, 如谷歌home或亚马逊echo</p> <p>采用TUYA模块, 8K Hz PWM输出;</p> <p>最小调光度为 1%</p> <p>不同的频道可供选择, 1CH ~ 5CH</p> <p>适用于世界各地的智能LED照明</p> <p>7年保修</p> <p>认证: UL/cUL, FCC, CE, ROHS</p> |
|---|---|

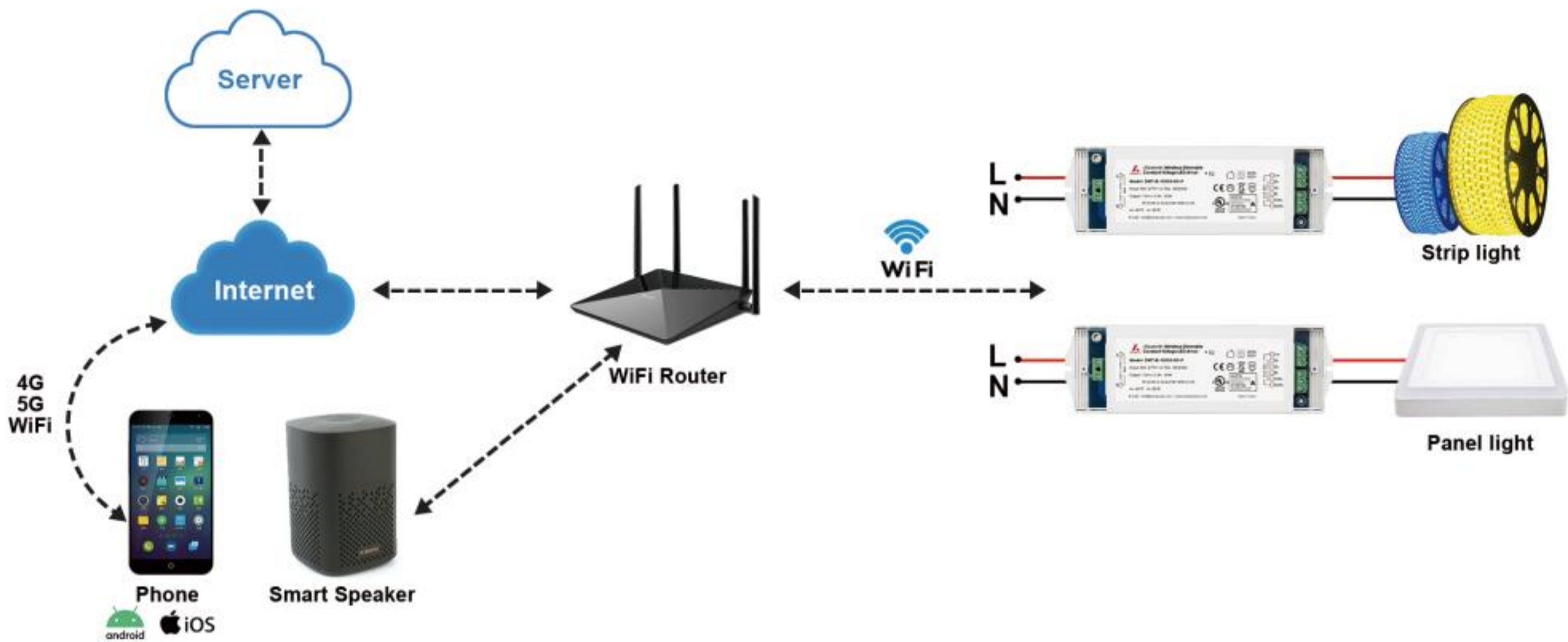
Dimming Operation

接线图

1. wifi dimmable driver could be controlled by Mobile App
 ※ Use mobile phone to scan the QR code below or download "Smart Life" from the Apple store or Android market.

1、wifi调光电源可以通过手机APP控制
 ※ 使用手机扫描下方二维码或在苹果商店或安卓市场下载 "Smart Life" 。





2. wifi dimmable driver could be controlled by Smart Speaker, like Google home or Amazon echo

※ Google home

- 1) Configure Google Home app through "Google Home" in App Store or Google Play to install the app.
- 2) Set up Google Home and configure in Home Control
- 3) Add devices in Smart Life app (Refer to App Instruction)
- 4) Link Smart Life account in Home Control then WIFI wireless dimmable driver could be controlled through Google home.

For detailed operation, please refer to Quick Guide of Using Google Home to Control Smart Devices from our official website www.swinpower.com.

Amazon echo

- 1) configure Echo through web or Amazon Alexa app in App Store or Google Play to install the app. Web configuration link: <http://alexa.amazon.com/spa/index.html>
- 2) Set up Amazon Echo and enable Smart Life Skill
- 3) Add devices in Smart Life app (Refer to App Instruction)
- 4) Link Smart Life account to Alexa
- 5) Discover devices which have already been added in the Smart Life app then WIFI wireless dimmable driver could be controlled through Echo.

For detailed operation, please refer to Quick Guide of Using Amazon Echo to Control Smart Devices from our official website www.swinpower.com.

2. wifi调光电源可以通过智能音箱控制，如谷歌home或亚马逊echo

※ 谷歌主页

- 1) 通过 App Store 或 Google Play 中的 "Google Home" 配置 Google Home 应用程序来安装应用程序。
- 2) 设置 Google Home 并在 Home Control 中进行配置
- 3) 在智能生活应用中添加设备 (参考应用说明)
- 4) 在 Home Control 中关联 Smart Life 账号，即可通过 Google home 控制 WIFI 无线调光电源。

详细操作请参考官网 www.swinpower.com 使用 Google Home 控制智能设备快速指南。

亚马逊 echo

- 1) 通过 Web 或 App Store 或 Google Play 中的 Amazon Alexa 应用程序配置 Echo 以安装该应用程序。网页配置链接: <http://alexa.amazon.com/spa/index.html>
- 2) 设置 亚马逊 Echo 并启用 Smart Life Skill
- 3) 在智能生活应用中添加设备 (参考应用说明)
- 4) 将 Smart Life 帐户链接到 Alexa
- 5) 发现智能生活 APP 中已经添加的设备，然后可以通过 Echo 控制 WIFI 无线调光电源。

详细操作请参考我们官网 www.swinpower.com 使用 亚马逊 echo 控制智能设备快速指南。

Model 型号	Cover Material 外壳材质	Output Voltge 输出电压 (Vdc)	Output Current 输出电流 (Amp)	Output power 输出功率 (Watt)	Product Size 尺寸 (mm)	N/W 净重 (g)
SMT-W-yy060-xC-P	Plastic(IP20)	12/24/48	5/2.5/1.25	60W	192.5*62*24	400
SMT-W-yy096-xC-A	Aluminum(IP67)	24/48	4.0/2.0	96W	200*70*43	900
SMT-W-yy100-xC-A	Aluminum(IP67)	12/24/48	8.33/4.17/2.08	100W	200*70*43	900
SMT-W-yy120-xC-A	Aluminum(IP67)	12/24/48	10/5/2.5	120W	200*70*43	900
SMT-W-yy150-xC-A	Aluminum(IP67)	12/24/48	12.5/6.25/3.12	150W	256*78*47	1200
SMT-W-yy200-xC-A	Aluminum(IP67)	12/24/48	16.67/8.33/4.17	200W	256*78*47	1200

W = WiFi yy=12,24,48Vdc x = 1,2,3,4,5 C = Channel



Bluetooth Dimmable Constant Voltage

Bluetooth SIG Mesh Dimmable Constant Voltage LED Driver

(蓝牙) 无线调光LED驱动器

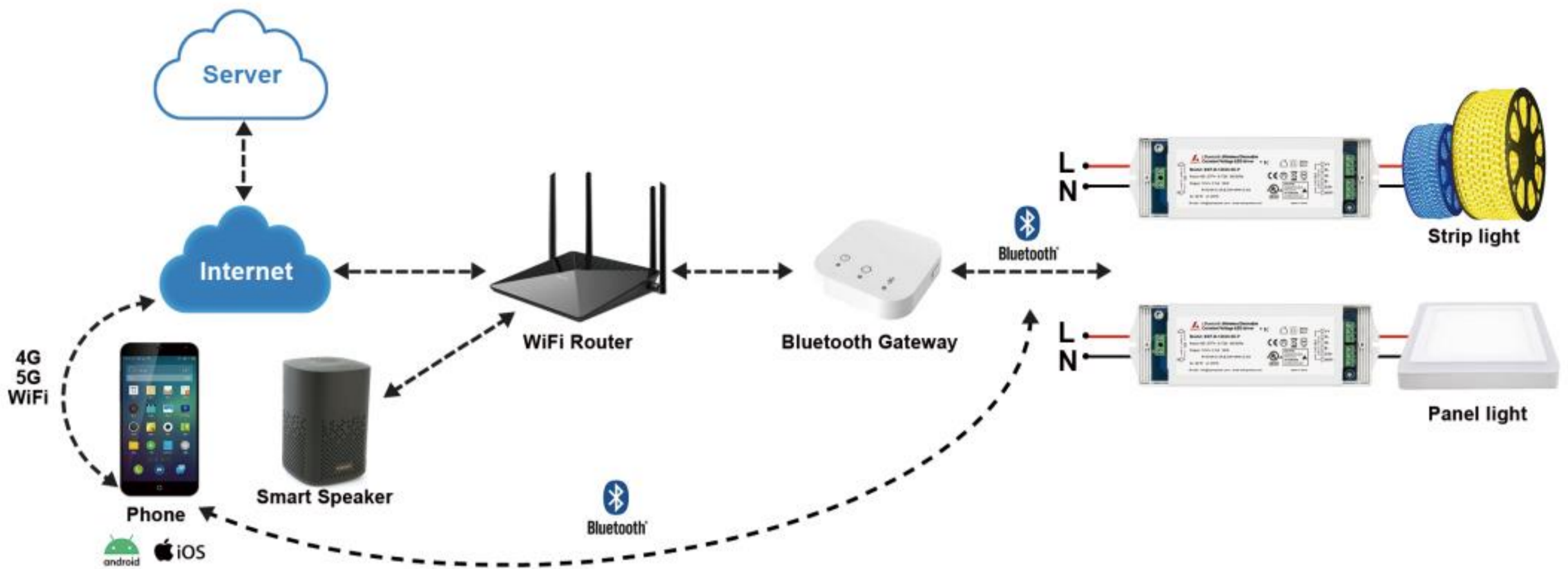
Features 特性

- | | |
|--|---|
| <ul style="list-style-type: none"> ● Output constant Voltage ● Range: 100-277VAC ● Built-in active PFC function ● Efficiency up to 88%~91% ● Protections: short circuit /over load /over temperature ● Cooling by free air convection; IP20 design for indoor installation ● Dimming function: Bluetooth wireless dim., which can be controller by Mobile App or Smart speaker, like Google home or Amazon echo ● Adopt TUYA module, 8K Hz PWM output; ● Minimum dimmability is 1% ● Different channels to be chosen, 1CH~5CH ● Suitable for intelligent LED lighting for all over the world ● 7 Years Warranty ● UL/cUL, FCC, CE, ROHS | <p>输出恒压</p> <p>输入电压范围: 100-277VAC</p> <p>内置有源PFC功能</p> <p>效率高达88%~91%</p> <p>保护机制: 短路/过载/过温</p> <p>自然空气对流冷却; IP20 设计, 适合室内安装</p> <p>调光功能: 蓝牙无线调光, 可通过手机APP或智能音箱控制, 如谷歌home或亚马逊echo</p> <p>采用TUYA模块, 8K Hz PWM输出;</p> <p>最小调光度为 1%</p> <p>不同的频道可供选择, 1CH ~ 5CH</p> <p>适用于世界各地的智能LED照明</p> <p>7年保修</p> <p>认证: UL/cUL, FCC, CE, ROHS</p> |
|--|---|

Dimming Operation 接线图

1. Bluetooth dimmable driver could be controlled by Mobile App
 - ※ Use mobile phone to scan the QR code below or download "Smart Life" from the Apple store or Android market.
- 1、蓝牙调光电源可以通过手机APP控制
 - ※ 使用手机扫描下方二维码或在苹果商店或安卓市场下载 "Smart Life"。





2. Bluetooth dimmable driver could be controlled by Smart Speaker, like Google home or Amazon echo

※ Google home

- 1) Configure Google Home app through "Google Home" in App Store or Google Play to install the app.
- 2) Set up Google Home and configure in Home Control
- 3) Add devices in Smart Life app (Refer to App Instruction)
- 4) Link Smart Life account in Home Control then Bluetooth dimmable driver could be controlled through Google home.

For detailed operation, please refer to Quick Guide of Using Google Home to Control Smart Devices from our official website www.swinpower.com .

2、蓝牙调光电源可以通过智能音箱控制，如谷歌home或亚马逊echo

※ 谷歌主页

- 1) 通过 App Store 或 Google Play 中的“Google Home”配置 Google Home 应用程序来安装应用程序。
- 2) 设置 Google Home 并在 Home Control 中进行配置
- 3) 在智能生活应用中添加设备（参考应用说明）
- 4) 在 Home Control 中关联 Smart Life 账号，即可通过 Google home 控制蓝牙无线调光电源。

详细操作请参考官网 www.swinpower.com 使用 Google Home 控制智能设备快速指南。

Amazon echo

- 1) configure Echo through web or Amazon Alexa app in App Store or Google Play to install the app. Web configuration link: <http://alexa.amazon.com/spa/index.html>
- 2) Set up Amazon Echo and enable Smart Life Skill
- 3) Add devices in Smart Life app (Refer to App Instruction)
- 4) Link Smart Life account to Alexa
- 5) Discover devices which have already been added in the Smart Life app then Bluetooth dimmable driver could be controlled through Echo.

For detailed operation, please refer to Quick Guide of Using Amazon Echo to Control Smart Devices from our official website www.swinpower.com .

亚马逊 echo

- 1) 通过 Web 或 App Store 或 Google Play 中的 Amazon Alexa 应用程序配置 Echo 以安装该应用程序。
网页配置链接：<http://alexa.amazon.com/spa/index.html>
- 2) 设置 亚马逊 Echo 并启用 Smart Life Skill
- 3) 在智能生活应用中添加设备（参考应用说明）
- 4) 将 Smart Life 帐户链接到 Alexa
- 5) 发现智能生活 APP 中已经添加的设备，然后可以通过 Echo 控制蓝牙调光电源。

详细操作请参考我们官网 www.swinpower.com 使用 亚马逊 echo 控制智能设备快速指南。

Model 型号	Cover Material 外壳材质	Output Voltage 输出电压 (Vdc)	Output Current 输出电流 (Amp)	Output power 输出功率 (Watt)	Product Size 尺寸 (mm)	N/W 净重 (g)
SMT-B-yy060-xC-P	Plastic(IP20)	12/24/48	5/2.5/1.25	60W	192.5*62*24	400
SMT-B-yy096-xC-A	Aluminum(IP67)	24/48	4/2	96W	200*70*43	900
SMT-B-yy100-xC-A	Aluminum(IP67)	12/24/48	8.33/4.17/2.08	100W	200*70*43	900
SMT-B-yy120-xC-A	Aluminum(IP67)	12/24/48	10/5/2.5	120W	200*70*43	900
SMT-B-yy150-xC-A	Aluminum(IP67)	12/24/48	12.5/6.25/3.12	150W	256*78*47	1200
SMT-B-yy200-xC-A	Aluminum(IP67)	12/24/48	16.67/8.33/4.17	200W	256*78*47	1200

B = Bluetooth yy=12,24,48Vdc x = 1,2,3,4,5 C = Channel



Zigbee Dimmable Constant Voltage

Zigbee Dimmable Constant Voltage LED Driver (Zigbee) 无线调光LED驱动器

Features 特性

- Output constant Voltage
- Range: 100-277VAC
- Built-in active PFC function
- Efficiency up to 88%~91%
- Protections: short circuit /over load /over temperature
- Cooling by free air convection; IP20 design for indoor installation
- Dimming function: Zigbee wireless dim., which can be controller by Mobile App or Smart speaker, like Google home or Amazon echo
- Adopt TUYA module, 8K Hz PWM output;
- Minimum dimmability is 1%
- Different channels to be chosen, 1CH~5CH
- Suitable for intelligent LED lighting for all over the world
- 7 Years Warranty
- UL/cUL, FCC, CE, ROHS

输出恒压

输入电压范围: 100-277VAC

内置有源PFC功能

效率高达88%~91%

保护机制: 短路/过载/过温

自然空气对流冷却; IP20 设计, 适合室内安装

调光功能: Zigbee无线调光, 可通过手机APP或智能音箱控制, 如谷歌home或亚马逊echo

采用TUYA模块, 8K Hz PWM输出;

最小调光度为 1%

不同的频道可供选择, 1CH ~ 5CH

适用于世界各地的智能LED照明

7年保修

认证: UL/cUL, FCC, CE, ROHS

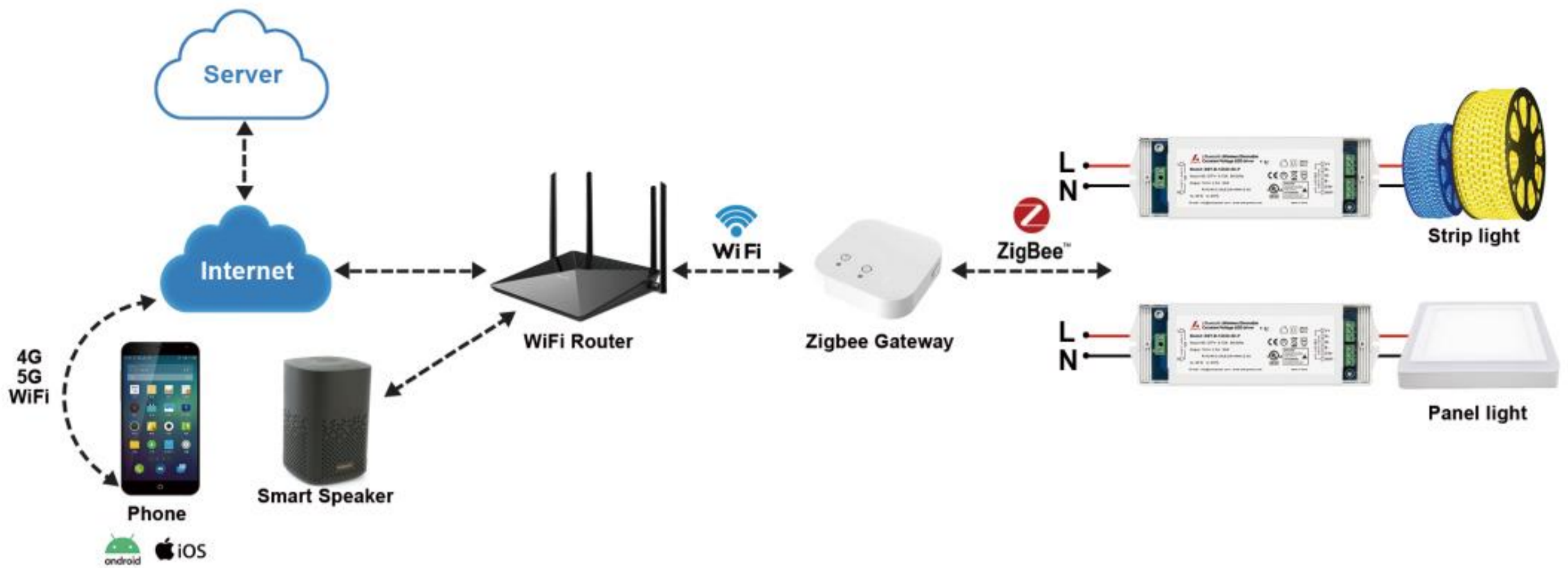
Dimming Operation

接线图

1. Zigbee dimmable driver could be controlled by Mobile App
※ Use mobile phone to scan the QR code below or download "Smart Life" from the Apple store or Android market.

- 1、Zigbee调光电源可以通过手机APP控制
※ 使用手机扫描下方二维码或在苹果商店或安卓市场下载 "Smart Life" 。





2. Zigbee dimmable driver could be controlled by Smart Speaker, like Google home or Amazon echo

※ Google home

- 1) Configure Google Home app through "Google Home" in App Store or Google Play to install the app.
- 2) Set up Google Home and configure in Home Control
- 3) Add devices in Smart Life app (Refer to App Instruction)
- 4) Link Smart Life account in Home Control then Zigbee dimmable driver could be controlled through Google home.

For detailed operation, please refer to Quick Guide of Using Google Home to Control Smart Devices from our official website www.swinpower.com .

2、Zigbee调光电源可以通过智能音箱控制，如谷歌home或亚马逊echo

※ 谷歌主页

- 1) 通过 App Store 或 Google Play 中的“Google Home” 配置 Google Home 应用程序来安装应用程序。
- 2) 设置 Google Home 并在 Home Control 中进行配置
- 3) 在智能生活应用中添加设备（参考应用说明）
- 4) 在Home Control中关联Smart Life账号，即可通过 Google home控制蓝牙无线调光电源。

详细操作请参考官网www.swinpower.com使用Google Home控制智能设备快速指南。

Amazon echo

- 1) configure Echo through web or Amazon Alexa app in App Store or Google Play to install the app.Web configuration
link: <http://alexa.amazon.com/spa/index.html>
- 2) Set up Amazon Echo and enable Smart Life Skill
- 3) Add devices in Smart Life app (Refer to App Instruction)
- 4) Link Smart Life account to Alexa
- 5) Discover devices which have already been added in the Smart Life app then Zigbee dimmable driver could be controlled through Echo.

For detailed operation, please refer to Quick Guide of Using Amazon Echo to Control Smart Devices from our official website www.swinpower.com .

亚马逊 echo

- 1) 通过Web或App Store或Google Play中的Amazon Alexa应用程序配置Echo以安装该应用程序。
网页配置链接：<http://alexa.amazon.com/spa/index.html>
- 2) 设置 亚马逊 Echo 并启用 Smart Life Skill
- 3) 在智能生活应用中添加设备（参考应用说明）
- 4) 将 Smart Life 帐户链接到 Alexa
- 5) 发现智能生活APP中已经添加的设备，然后可以通过Echo控制 Zigbee调光电源。

详细操作请参考我们官网www.swinpower.com使用亚马逊 echo控制智能设备快速指南。

Model 型号	Cover Material 外壳材质	Output Voltge 输出电压 (Vdc)	Output Current 输出电流 (Amp)	Output power 输出功率 (Watt)	Product Size 尺寸 (mm)	N/W 净重 (g)
SMT-Z-yy060-xC-P	Plastic(IP20)	12/24/48	5/2.5/1.25	60W	192.5*62*24	400
SMT-Z-yy096-xC-A	Aluminum(IP67)	24/48	4/2	96W	200*70*43	900
SMT-Z-yy100-xC-A	Aluminum(IP67)	12/24/48	8.33/4.17/2.08	100W	200*70*43	900
SMT-Z-yy120-xC-A	Aluminum(IP67)	12/24/48	10/5/2.5	120W	200*70*43	900
SMT-Z-yy150-xC-A	Aluminum(IP67)	12/24/48	12.5/6.25/3.12	150W	256*78*47	1200
SMT-Z-yy200-xC-A	Aluminum(IP67)	12/24/48	16.67/8.33/4.17	200W	256*78*47	1200

Z = Zigbee yy=12,24,48Vdc x = 1,2,3,4,5 C = Channel

DALI-2 & Push Dimming

DALI-2 & Push Dimming (2 in 1) Constant Voltage LED Driver [DT6]

DALI-2(数字可寻址)&PUSH二合一调光电源 [DT6]

Features

特性

- **Dim-all:** DALI-2 & PUSH Dimming (2 in 1)
- **Universal input:** 100-277Vac
- Built-in active PFC function
- Efficiency up to 91%
- Short-circuit, over-temperature, over-load protection
- Cooling by free air convection; IP67 for indoor & outdoor
- **Dimming curve:** Logarithmic (default) and Linear
- **Dimming protocol:** DALI-2 Protocol IEC62386; PUSH-DIM
- NFC function to adjust output voltage and set address
- Dimming range: 0-100%, LED start at 0.1% possible
- Suitable for intelligent LED lighting
- 7 years warranty
- UL cUL listed, Class 2, Type HL, FCC, NEMA 4X, CE, RoHs

调光方式: DALI-2 & PUSH 调光 (二合一)

通用输入: 100-277Vac

内置有源PFC功能

效率高达 91%

短路、过温、过载保护

自由空气对流冷却; IP67 适用于室内和室外使用

调光曲线: 对数 (默认) 和线性调光

调光协议: DALI-2协议IEC62386; PUSH调光

内置NFC功能可调整输出电压和设置地址码

调光范围: 0-100%, 可以从0.1%开始调光

适用于智能LED照明

7年保修

认证: UL/cUL, Class 2, Type HL, FCC,

NEMA 4X, CE, ROHS

Application

应用

- LED strip/LED tape/LED module
- Residential Lighting
- Commercial Lighting
- Indoor & outdoor LED illuminating lights.
- LED Neon
- LED City Decoration

LED灯条/LED灯带/LED模组

住宅照明

商业照明

户内外LED照明

LED霓虹灯

LED城市装饰灯

Optional Shell

可选外壳

SMT- yy###V-DP2



DC 12V 24V 36V 48V, 30W-300W

Standard Size

SMT-JByy###V-DP2



DC 12V 24V 36V 48V, 30W-300W

built-in Junction Box

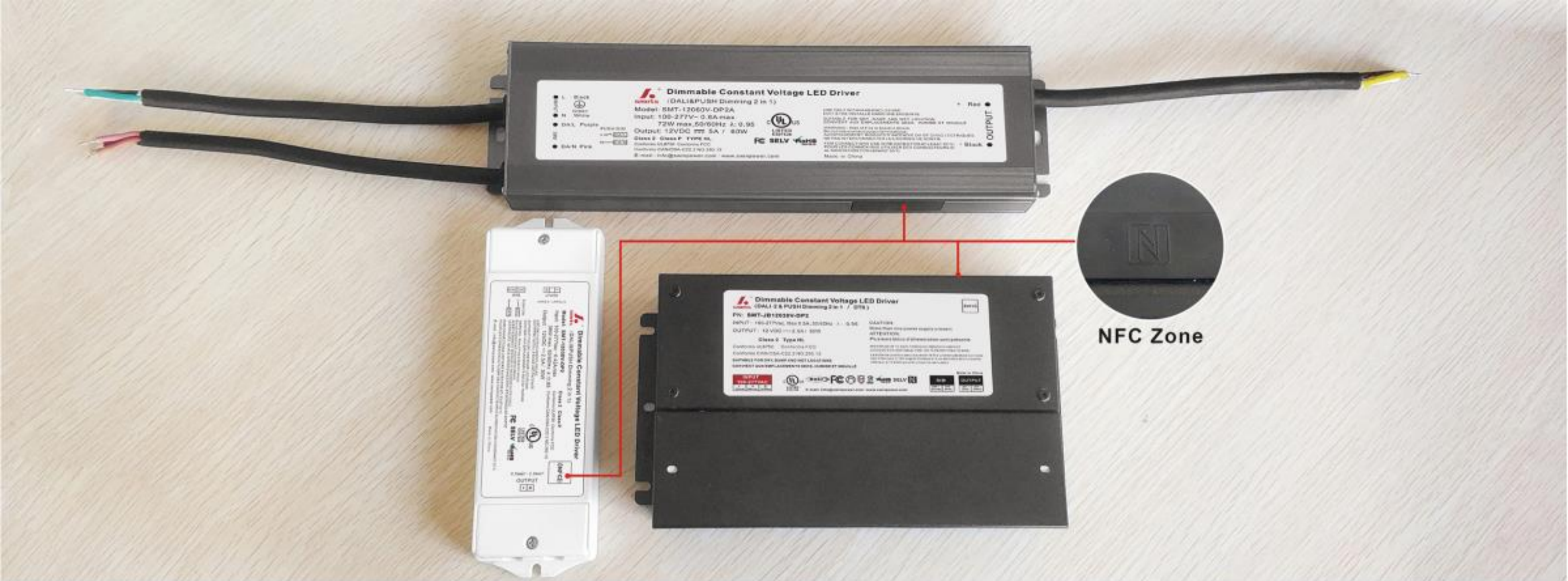
Whole Family

SMT-yy###V-DP2 SMT-JByy###V-DP2

JB: (built-in Junction Box)

yy = 12VDC, 24VDC, 36VDC, 48VDC

= 30W 60W 100W 120W 150W 200W 300W



SMT-yy###V-DP2 Product List

胶壳、铝壳电源有以下型号

Model 型号	Cover Material 外壳材质	Output Voltage 输出电压 (Vdc)	Output Current 输出电流 (Amp)	Output power 输出功率 (Watt)	Product Size 尺寸 (mm)	N/W 净重 (g)
SMT-12030V-DP2	Plastic(IP20)	DC 12V	2.5A	30W	171.5x54x20	310
SMT-24030V-DP2		DC 24V	1.25A			
SMT-36030V-DP2		DC 36V	0.83A			
SMT-48030V-DP2		DC 48V	0.63A			
SMT-12060V-DP2	Plastic(IP20)	DC 12V	5A	60W	192.5x62x24	350
SMT-24060V-DP2		DC 24V	2.5A			
SMT-36060V-DP2		DC 36V	1.67A			
SMT-48060V-DP2		DC 48V	1.25A			
SMT-12100V-DP2	Aluminum (IP67)	DC 12V	8.34A	100W	230x78x25	600
SMT-24100V-DP2		DC 24V	4.17A			
SMT-36100V-DP2		DC 36V	2.78A			
SMT-48100V-DP2		DC 48V	2.08A			
SMT-12120V-DP2	Aluminum (IP67)	DC 12V	10A	120W	230x78x25	600
SMT-24120V-DP2		DC 24V	5A			
SMT-36120V-DP2		DC 36V	2.78A			
SMT-48120V-DP2		DC 48V	2.5A			
SMT-12150V-DP2	Aluminum (IP67)	DC 12V	12.5A	150W	278x78x25	850
SMT-24150V-DP2		DC 24V	6.25A			
SMT-36150V-DP2		DC 36V	4.17A			
SMT-48150V-DP2		DC 48V	3.12A			
SMT-12200V-DP2	Aluminum (IP67)	DC 12V	16.67A	200W	278x78x25	850
SMT-24200V-DP2		DC 24V	8.34A			
SMT-36200V-DP2		DC 36V	5.56A			
SMT-48200V-DP2		DC 48V	4.17A			
SMT-12300V-DP2	Aluminum (IP67)	DC 12V	25A	300W	300x78x25	950
SMT-24300V-DP2		DC 24V	12.5A			
SMT-36300V-DP2		DC 36V	8.34A			
SMT-48300V-DP2		DC 48V	6.25A			

SMT-JByy###V-DP2 Product List

一体机电源有以下型号

Model 型号	Cover Material 外壳材质	Output Voltage 输出电压 (Vdc)	Output Current 输出电流 (Amp)	Output power 输出功率 (Watt)	Product Size 尺寸 (mm)	N/W 净重 (g)
SMT-JB12030V-DP2	Metal Housing (NEMA 4X)	DC 12V	2.5A	30W	181*108.5*40	230
SMT-JB24030V-DP2		DC 24V	1.25A			
SMT-JB36030V-DP2		DC 36V	0.83A			
SMT-JB48030V-DP2		DC 48V	0.63A			
SMT-JB12060V-DP2		DC 12V	5A	60W	202.5*114.2*40	350
SMT-JB24060V-DP2		DC 24V	2.5A			
SMT-JB36060V-DP2		DC 36V	1.67A			
SMT-JB48060V-DP2		DC 48V	1.25A			
SMT-JB12096V-DP2		DC 12V	8.3A	96W	241*125*40	830
SMT-JB24096V-DP2		DC 24V	4A			
SMT-JB36096V-DP2		DC 36V	2.67A			
SMT-JB48096V-DP2		DC 48V	2A			
SMT-JB12100V-DP2		DC 12V	8.33A	100W	241*125*40	830
SMT-JB24100V-DP2		DC 24V	4.17A			
SMT-JB36100V-DP2		DC 36V	2.78A			
SMT-JB48100V-DP2		DC 48V	2.08A			
SMT-JB12120V-DP2		DC 12V	10A	120W	241*125*40	830
SMT-JB24120V-DP2		DC 24V	5A			
SMT-JB36120V-DP2		DC 36V	2.78A			
SMT-JB48120V-DP2		DC 48V	2.5A			
SMT-JB12150V-DP2		DC 12V	12.5A	150W	293*125*40	1050
SMT-JB24150V-DP2		DC 24V	6.25A			
SMT-JB36150V-DP2		DC 36V	4.17A			
SMT-JB48150V-DP2		DC 48V	3.12A			
SMT-JB12200V-DP2		DC 12V	16.67A	200W	293*125*40	1050
SMT-JB24200V-DP2		DC 24V	8.34A			
SMT-JB36200V-DP2		DC 36V	5.56A			
SMT-JB48200V-DP2		DC 48V	4.17A			
SMT-JB12300V-DP2		DC 12V	25A	300W	316*125*40	1200
SMT-JB24300V-DP2		DC 24V	12.5A			
SMT-JB36300V-DP2	DC 36V	8.34A				
SMT-JB48300V-DP2	DC 48V	6.25A				

Product Display

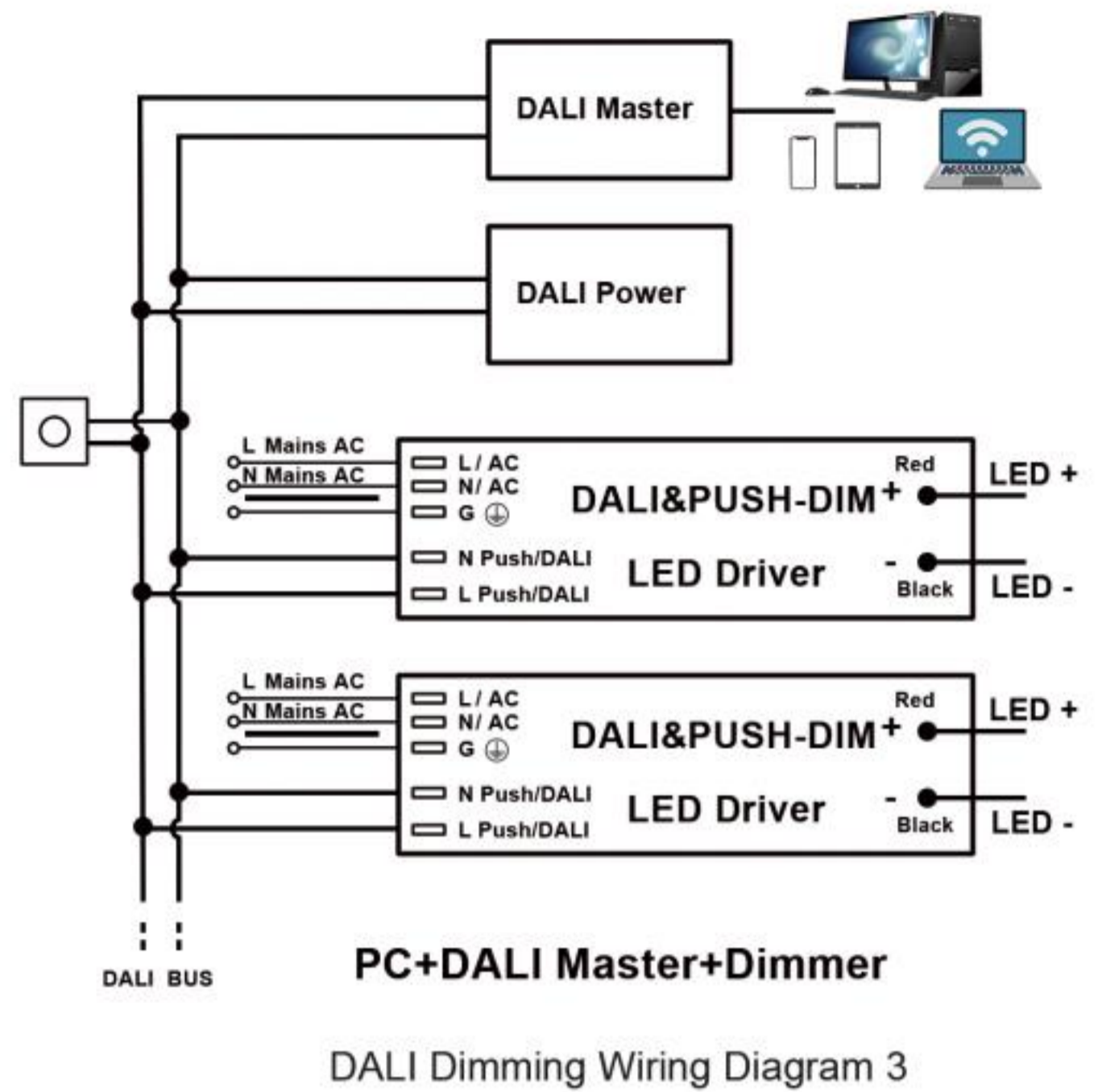
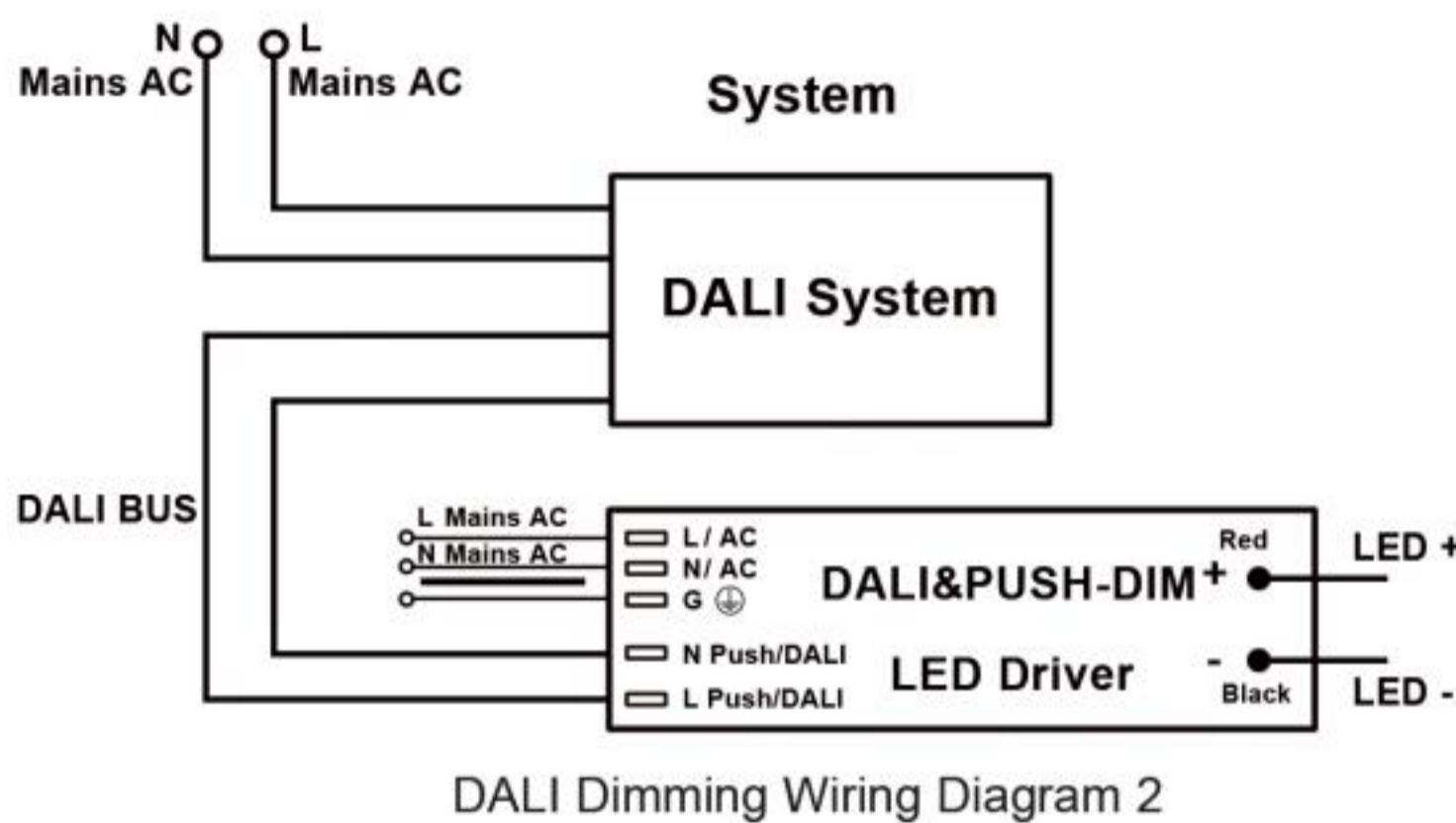
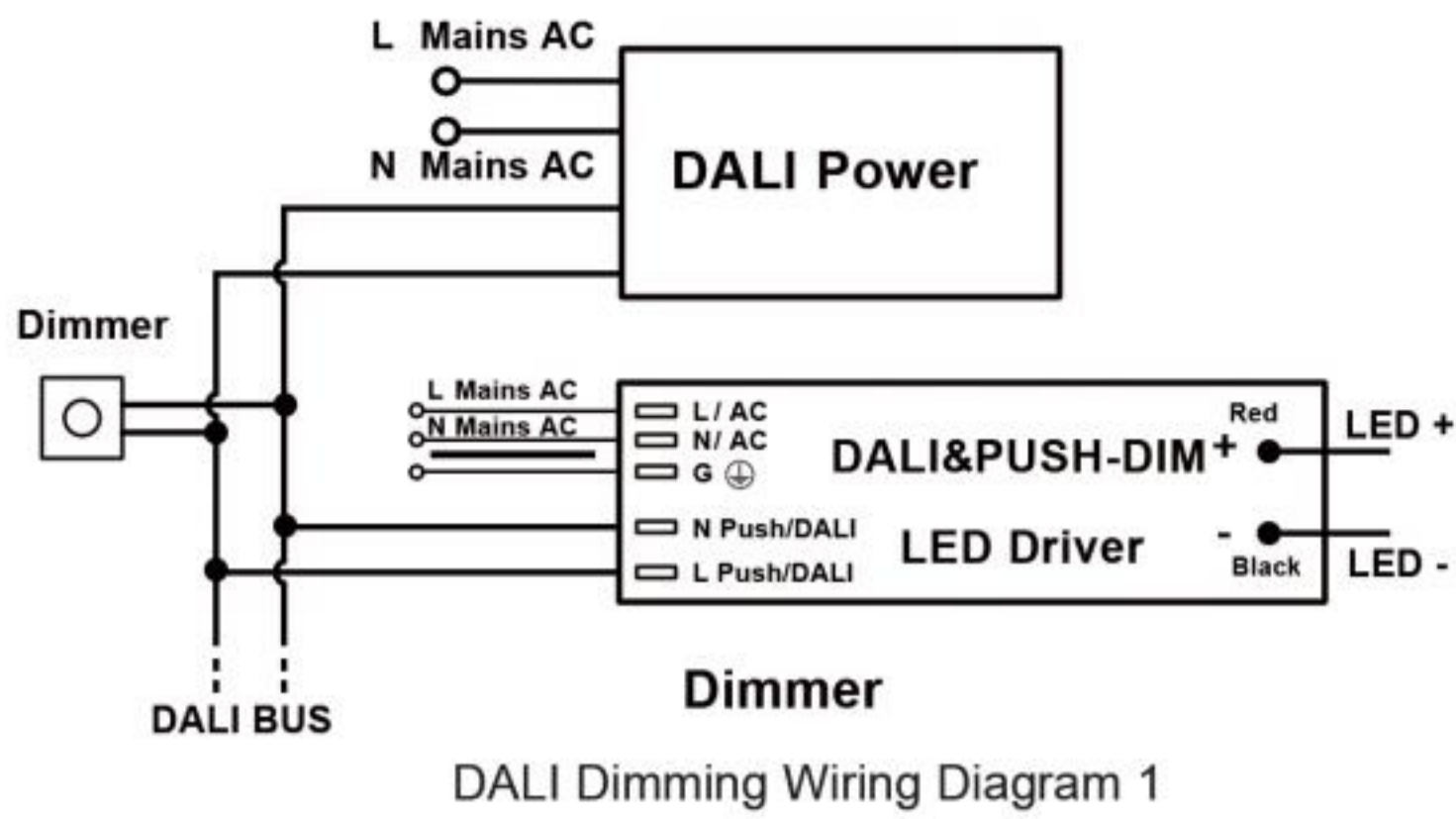
产品展示

SMT-JByy###V-DP2



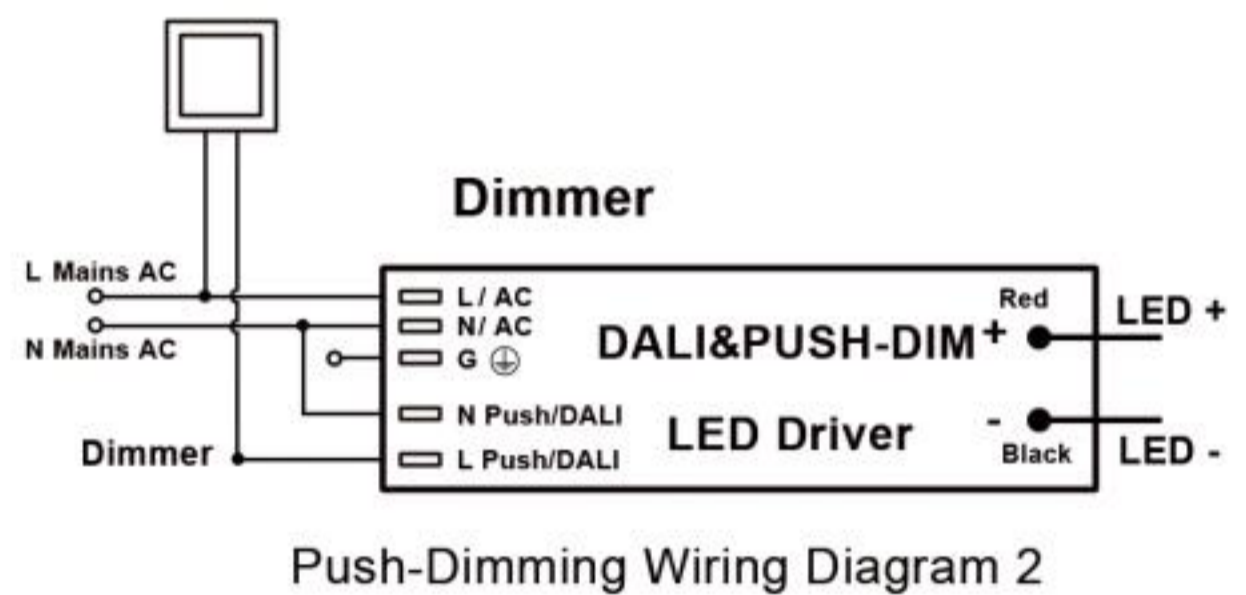
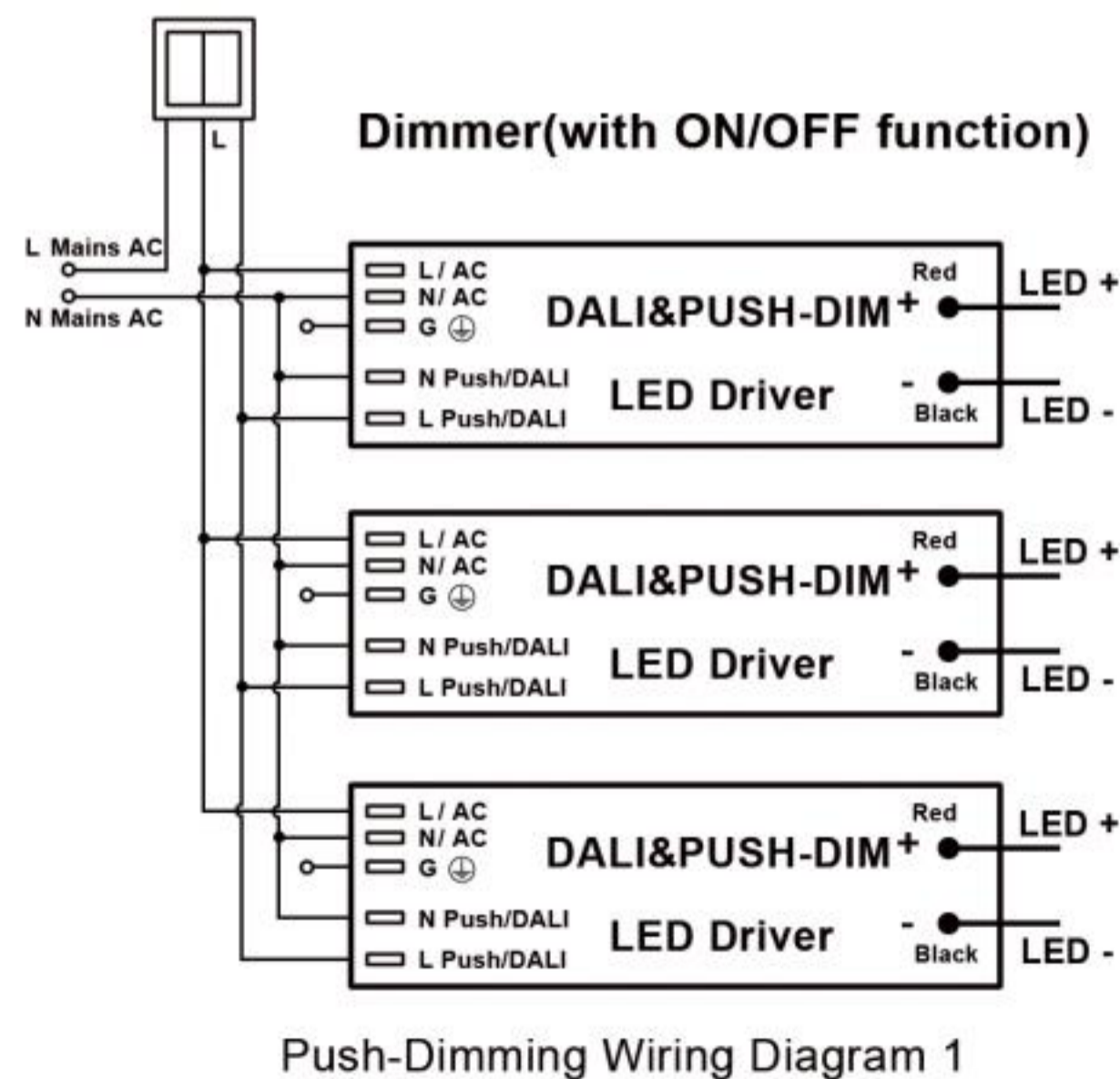
DALI Dimming Wiring Diagram

接线图



PUSH Dimming Wiring Diagram

接线图



Note: For DALI Dimming Wiring Diagram 3, please noted that only one DALI power is need in the DALI bus, so no extra DALI power is needed if the Master or Dimmer already includes the DALI Power.

注意: 对于 DALI 调光接线图 3, 请注意 DALI 总线中只需要一个 DALI 电源, 因此如果 Master 或 Dimmer 已经包含 DALI 电源, 则不需要额外的 DALI 电源。

Product Display

产品展示

SMT-yy###V-DP2



DALI-2 & Push Dimming

DALI-2 & Push Dimming (2 in 1) Constant Voltage LED Driver [DT8]

DALI-2(数字可寻址)&PUSH二合一调光电源 [DT8]

Features

特性

- **Dim-all:** DALI-2 & PUSH Dimming (2 in 1)
- **Universal input:** 100-277Vac
- Built-in active PFC function
- Efficiency up to 88.5% ~ 91%
- Standby power consumption ≤ 0.5 W
- Short-circuit, over-temperature, over-load protection
- Suitable for dry, damp, wet locations
- **Dimming curve:** Logarithmic (default) and Linear
- DALI-2 Protocol IEC62386; PUSH-DIM (CCT dimming)
- NFC function to adjust output voltage and set address/ID
- **Dimming range:** 0-100%, LED start at 0.1% possible
- Suitable for intelligent LED lighting
- Flicker-free, PWM output frequency, 4K Hz Stroboscopic exemption
- 7 years warranty
- UL cUL listed, Class 2, Type HL, FCC, NEMA 4X, CE, RoHs

调光方式: DALI-2 & PUSH 调光 (二合一)

通用输入: 100-277Vac

内置有源PFC功能

效率高达 88.5% ~ 91%

待机功耗 ≤ 0.5W

短路、过温、过载保护

适用于干燥、潮湿、潮湿的场所

调光曲线: 对数 (默认) 和线性调光

DALI-2协议IEC62386; PUSH调光(色温调光)

内置NFC功能可调整输出电压和设置地址码

调光范围: 0-100%, 可以从0.1%开始调光

适用于智能LED照明

无闪烁, PWM输出频率, 4K Hz免频闪

7年保修

认证: UL/cUL, Class 2, Type HL, FCC,

NEMA 4X, CE, ROHS

Application

应用

- LED strip/LED tape/LED module
- Residential Lighting
- Commercial Lighting
- Indoor & outdoor LED illuminating lights.
- LED Neon
- LED City Decoration

LED灯条/LED灯带/LED模组

住宅照明

商业照明

户内外LED照明

LED霓虹灯

LED城市装饰灯

Optional Shell

可选外壳

SMT-yy###V-DP2-2C



IP20

IP67

DC 12V 24V 48V, 60W-300W

Standard Size

SMT-JByy###V-DP2-2C



dry, damp and wet location

DC 12V 24V 36V 48V, 60W-300W

built-in Junction Box

Whole Family

SMT-yy###V-DP2-2C SMT-JByy###V-DP2-2C

JB: (built-in Junction Box)

yy = 12VDC, 24VDC, 36VDC, 48VDC

= 60W 100W 120W 150W 200W 300W

2C: CW - ; WW-



SMT-yy###V-DP2-2C Product List

胶壳、铝壳电源有以下型号

Model 型号	Cover Material 外壳材质	Output Voltage 输出电压 (Vdc)	Output Current 输出电流 (Amp)	Output power 输出功率 (Watt)	Product Size 尺寸 (mm)	N/W 净重 (g)
SMT-12060V-DP2-2C	Plastic(IP20)	DC 12V	5A	60W	192.5x62x24	400
SMT-24060V-DP2-2C		DC 24V	2.5A			
SMT-48060V-DP2-2C		DC 48V	1.25A			
SMT-12100V-DP2-2C	Aluminum (IP67)	DC 12V	8.34A	100W	230x78x25	600
SMT-24100V-DP2-2C		DC 24V	4.17A			
SMT-48100V-DP2-2C		DC 48V	2.08A			
SMT-12120V-DP2-2C	Aluminum (IP67)	DC 12V	10A	120W	230x78x25	600
SMT-24120V-DP2-2C		DC 24V	5A			
SMT-48120V-DP2-2C		DC 48V	2.5A			
SMT-12150V-DP2-2C	Aluminum (IP67)	DC 12V	12.5A	150W	278x78x25	850
SMT-24150V-DP2-2C		DC 24V	6.25A			
SMT-48150V-DP2-2C		DC 48V	3.12A			
SMT-12200V-DP2-2C	Aluminum (IP67)	DC 12V	16.67A	200W	278x78x25	850
SMT-24200V-DP2-2C		DC 24V	8.34A			
SMT-48200V-DP2-2C		DC 48V	4.17A			
SMT-12300V-DP2-2C	Aluminum (IP67)	DC 12V	25A	300W	300x78x25	950
SMT-24300V-DP2-2C		DC 24V	12.5A			
SMT-48300V-DP2-2C		DC 48V	6.25A			

Product Display

产品展示

SMT-yy###V-DP2-2C





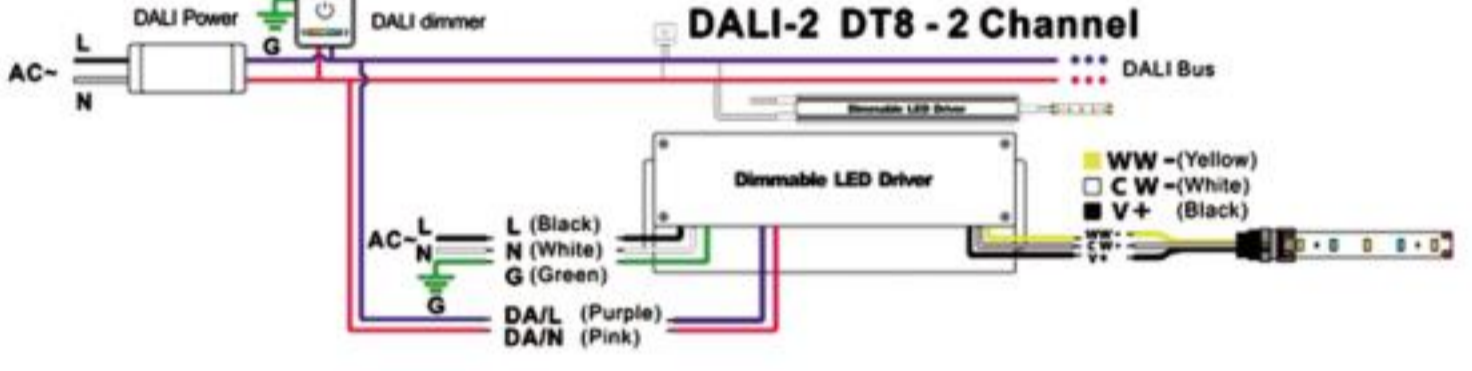
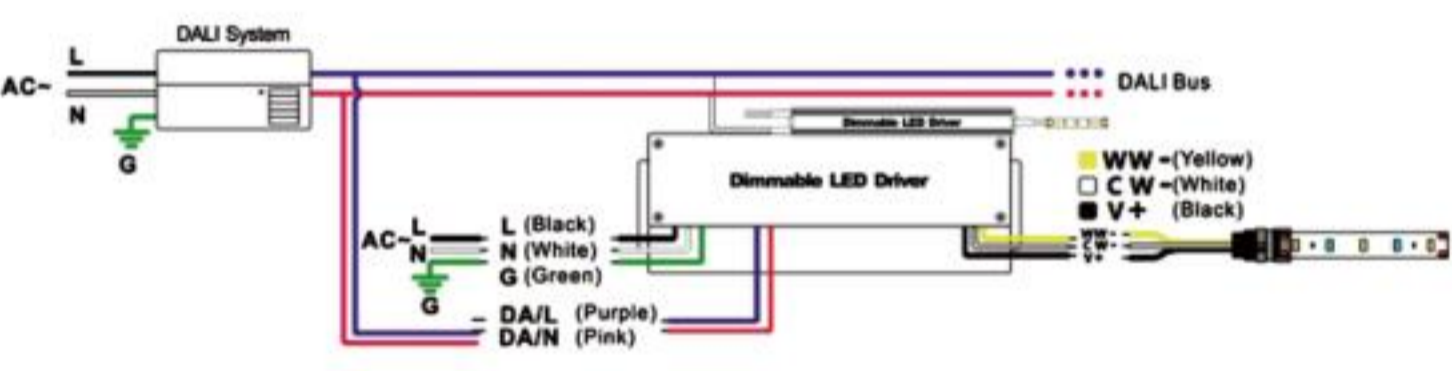
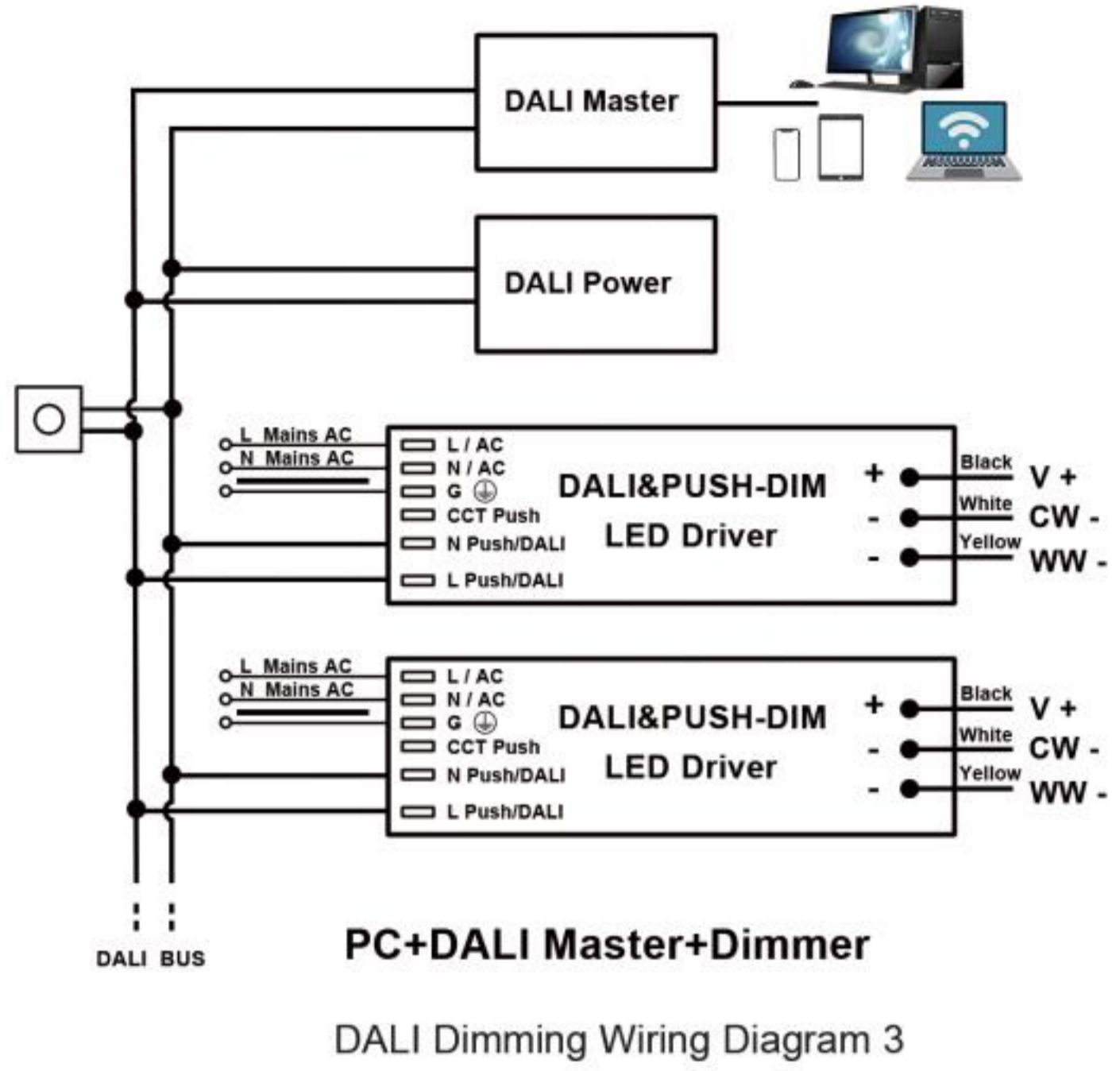
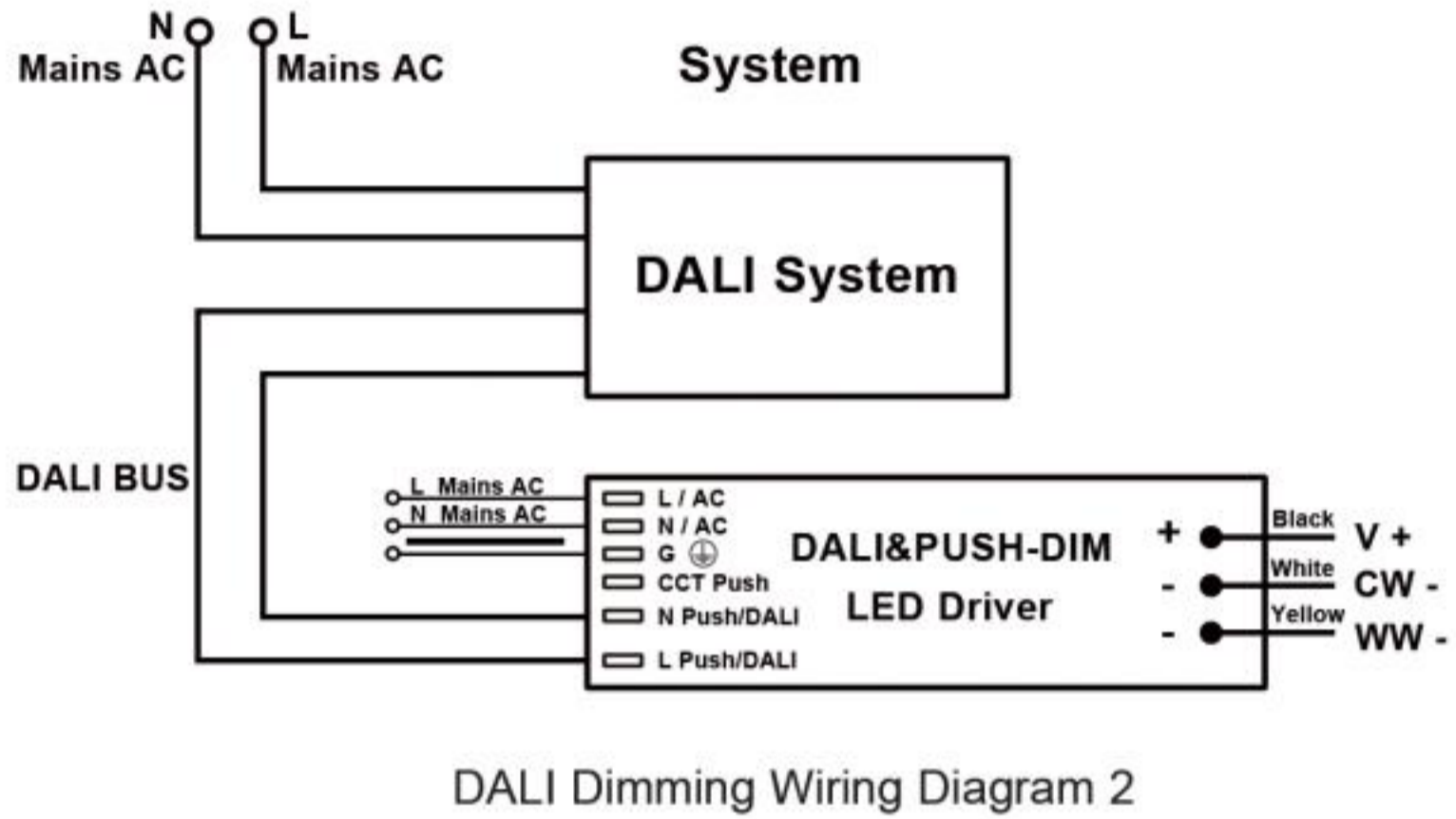
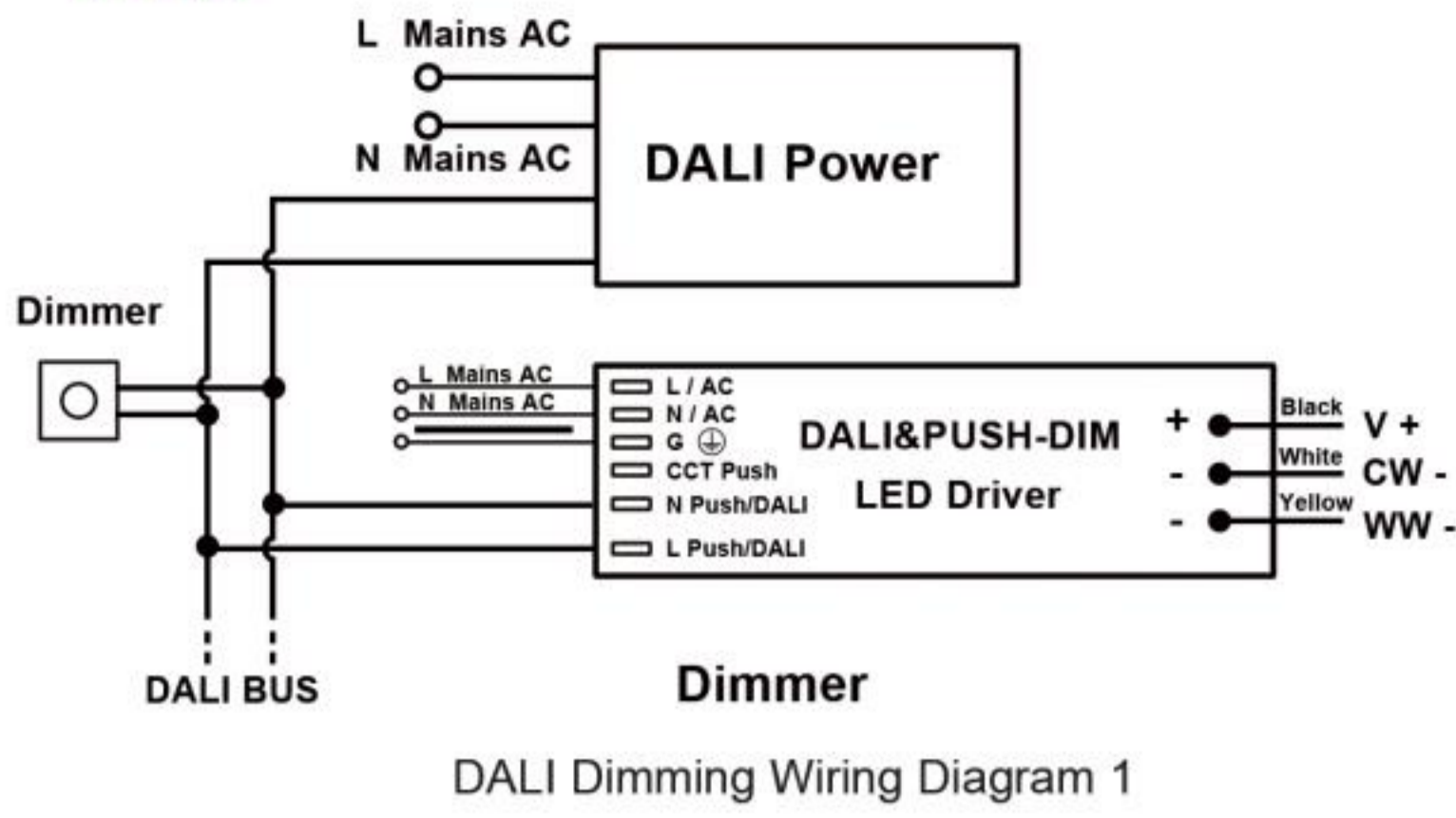
SMT-JByy###V-DP2-2C Product List

一体机电源有以下型号

Model 型号	Cover Material 外壳材质	Output Voltage 输出电压 (Vdc)	Output Current 输出电流 (Amp)	Output power 输出功率 (Watt)	Product Size 尺寸 (mm)	N/W 净重 (g)
SMT-JB12060V-DP2-2C	Metal Housing (NEMA 4X)	DC 12V	5A	60W	202.5*114.2*40	350
SMT-JB24060V-DP2-2C		DC 24V	2.5A			
SMT-JB36060V-DP2-2C		DC 36V	1.67A			
SMT-JB48060V-DP2-2C		DC 48V	1.25A	96W	241*125*40	830
SMT-JB12096V-DP2-2C		DC 12V	8.3A			
SMT-JB24096V-DP2-2C		DC 24V	4A			
SMT-JB36096V-DP2-2C		DC 36V	2.67A	100W	241*125*40	830
SMT-JB48096V-DP2-2C		DC 48V	2A			
SMT-JB12100V-DP2-2C		DC 12V	8.33A			
SMT-JB24100V-DP2-2C		DC 24V	4.17A			
SMT-JB36100V-DP2-2C		DC 36V	2.78A			
SMT-JB48100V-DP2-2C		DC 48V	2.08A	150W	293*125*40	1050
SMT-JB12120V-DP2-2C		DC 12V	10A			
SMT-JB24120V-DP2-2C		DC 24V	5A			
SMT-JB36120V-DP2-2C		DC 36V	2.78A	200W	293*125*40	1050
SMT-JB48120V-DP2-2C		DC 48V	2.5A			
SMT-JB12150V-DP2-2C		DC 12V	12.5A			
SMT-JB24150V-DP2-2C		DC 24V	6.25A			
SMT-JB36150V-DP2-2C		DC 36V	4.17A			
SMT-JB48150V-DP2-2C		DC 48V	3.12A	200W	293*125*40	1050
SMT-JB12200V-DP2-2C		DC 12V	16.67A			
SMT-JB24200V-DP2-2C		DC 24V	8.34A			
SMT-JB36200V-DP2-2C		DC 36V	5.56A	300W	316*125*40	1200
SMT-JB48200V-DP2-2C		DC 48V	4.17A			
SMT-JB12300V-DP2-2C		DC 12V	25A			
SMT-JB24300V-DP2-2C		DC 24V	12.5A	300W	316*125*40	1200
SMT-JB36300V-DP2-2C		DC 36V	8.34A			
SMT-JB48300V-DP2-2C		DC 48V	6.25A			

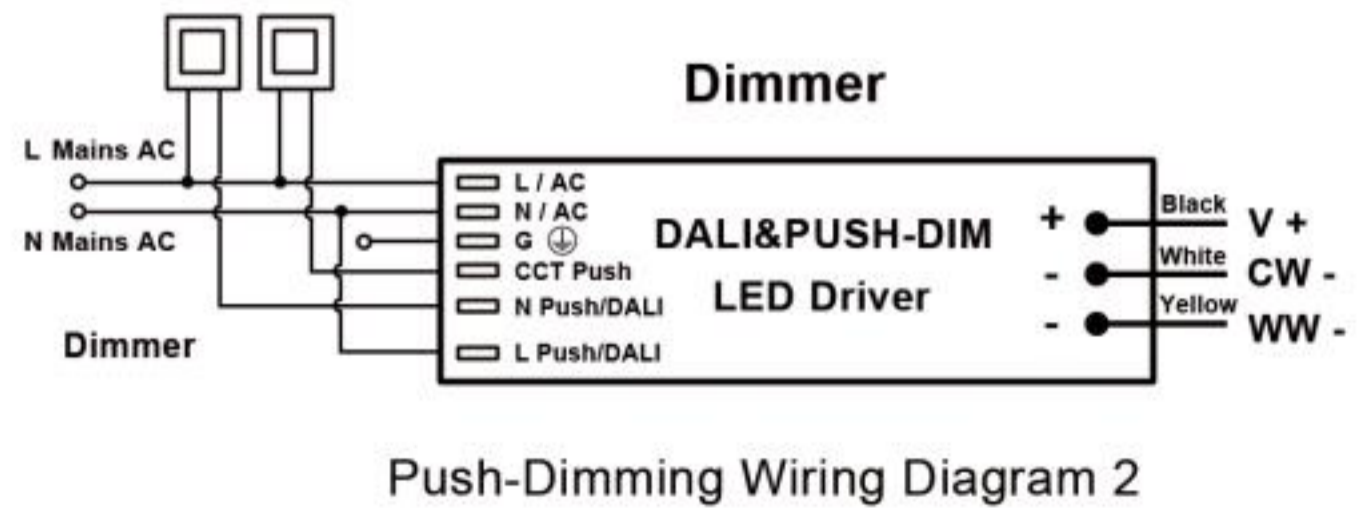
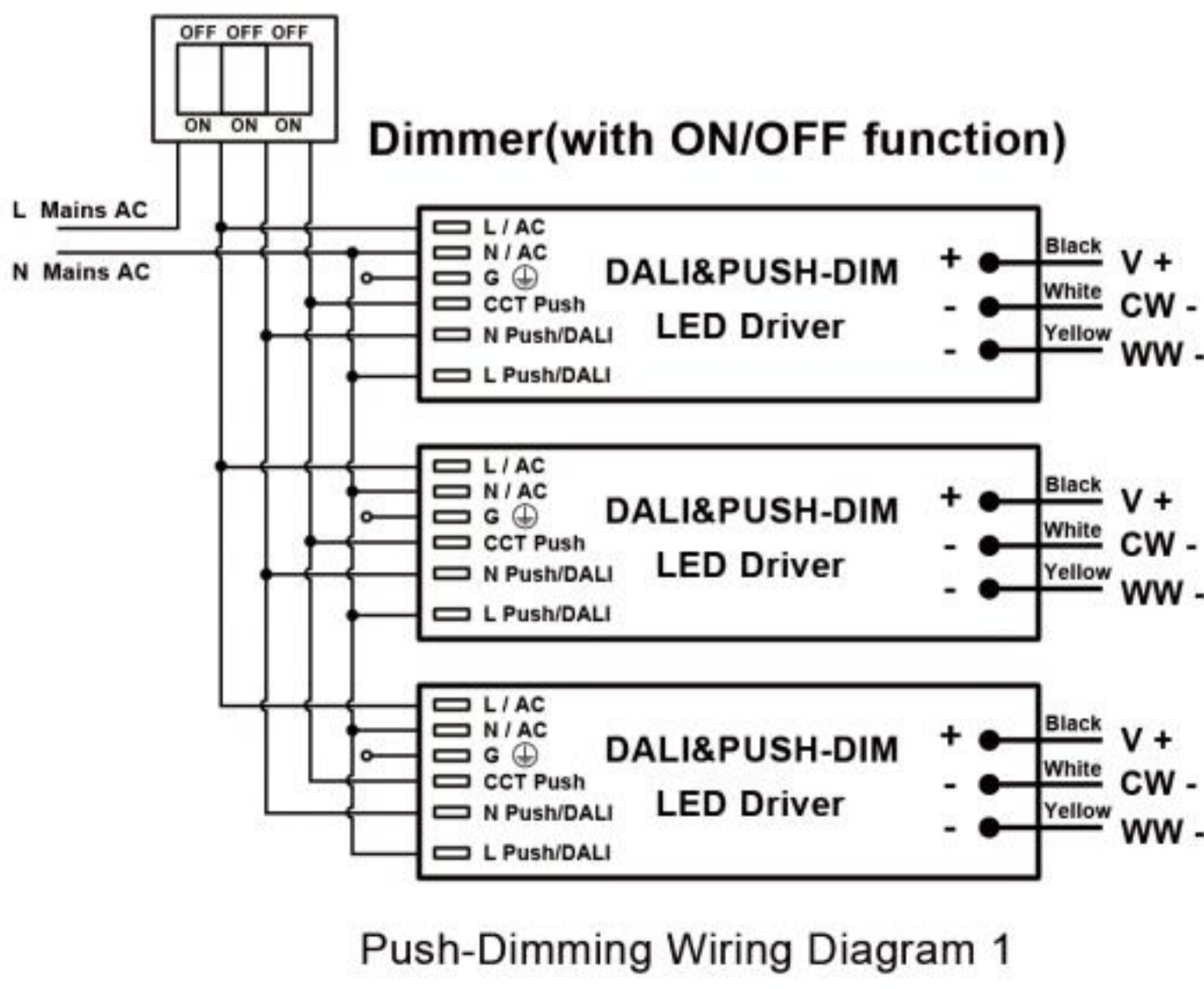
DALI Dimming Wiring Diagram

接线图



PUSH Dimming Wiring Diagram

接线图



Note: For DALI Dimming Wiring Diagram 3, please noted that only one DALI power is need in the DALI bus, so no extra DALI power is needed if the Master or Dimmer already includes the DALI Power.

注意: 对于 DALI 调光接线图 3, 请注意 DALI 总线中只需要一个 DALI 电源, 因此如果 Master 或 Dimmer 已经包含 DALI 电源, 则不需要额外的 DALI 电源。



DALI-2 Dimmable Constant Voltage

UL/cUL Slim Size DALI-2 Dimmable LED Driver DALI-2 恒压电源 (长条形)

Features 特性

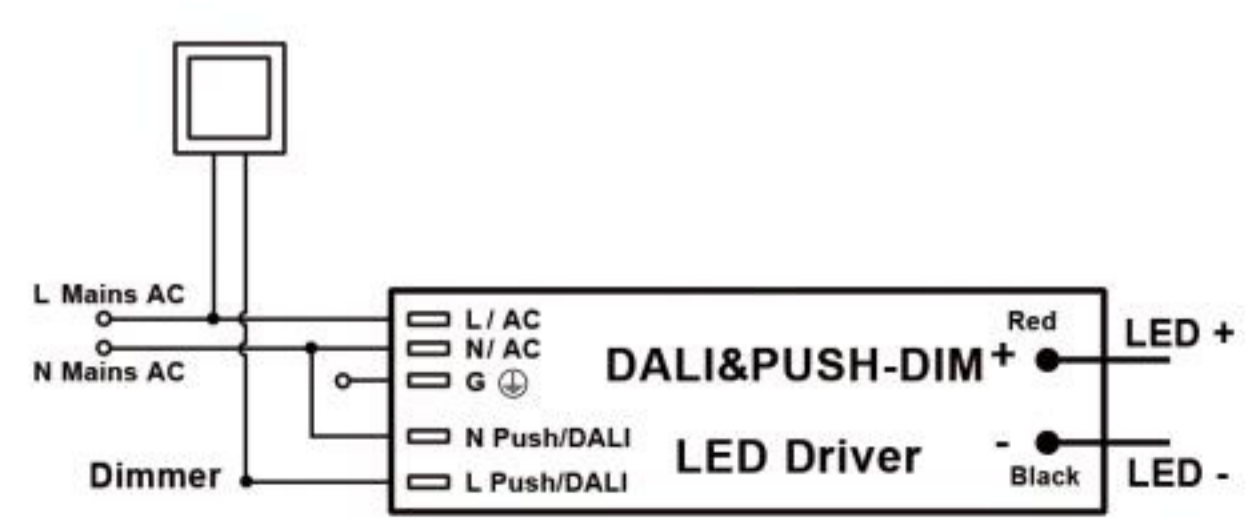
- Slim design, High efficiency, high reliability, save energy, protected environment, long life time
- Universal AC input : (100-277V)
- Short circuit/Overload/Over voltage/Over temp.
- Cooling by free air convection
- Built-in PFC function PF> 0.98 / Efficiency > 88%
- Designing standard : UL1310 Class 2 power unit
- Follow the global lighting safety regulations
- Built in DALI interface dimming function
- conform to DALI-2 Protocol IEC62386
- Dimming range: 0-100%, LED start at 0.1% possible
- 7 years warranty.
- UL/cUL, CE, FCC, ROHS approval

- 产品优势:** 超薄设计, 高效率, 性能稳定, 节能环保
保护环境, 寿命长
- 国际通用输入电压:** (100-277V)
- 保护功能:** 短路/过载/过压、过温保护功能
自然空气对流冷却
- 内置PFC功能:** PF>0.98/效率>88%
- 设计标准:** UL1310 Class2 电源配置
遵循全球照明安全条例
- 内置DALI接口调光功能**
- 符合DALI-2协议IEC62386**
- 调光范围:** 0-100%, LED可启动0.1%
- 质保期:** 7年
- 认证:** UL/cUL, CE, FCC ROHS,

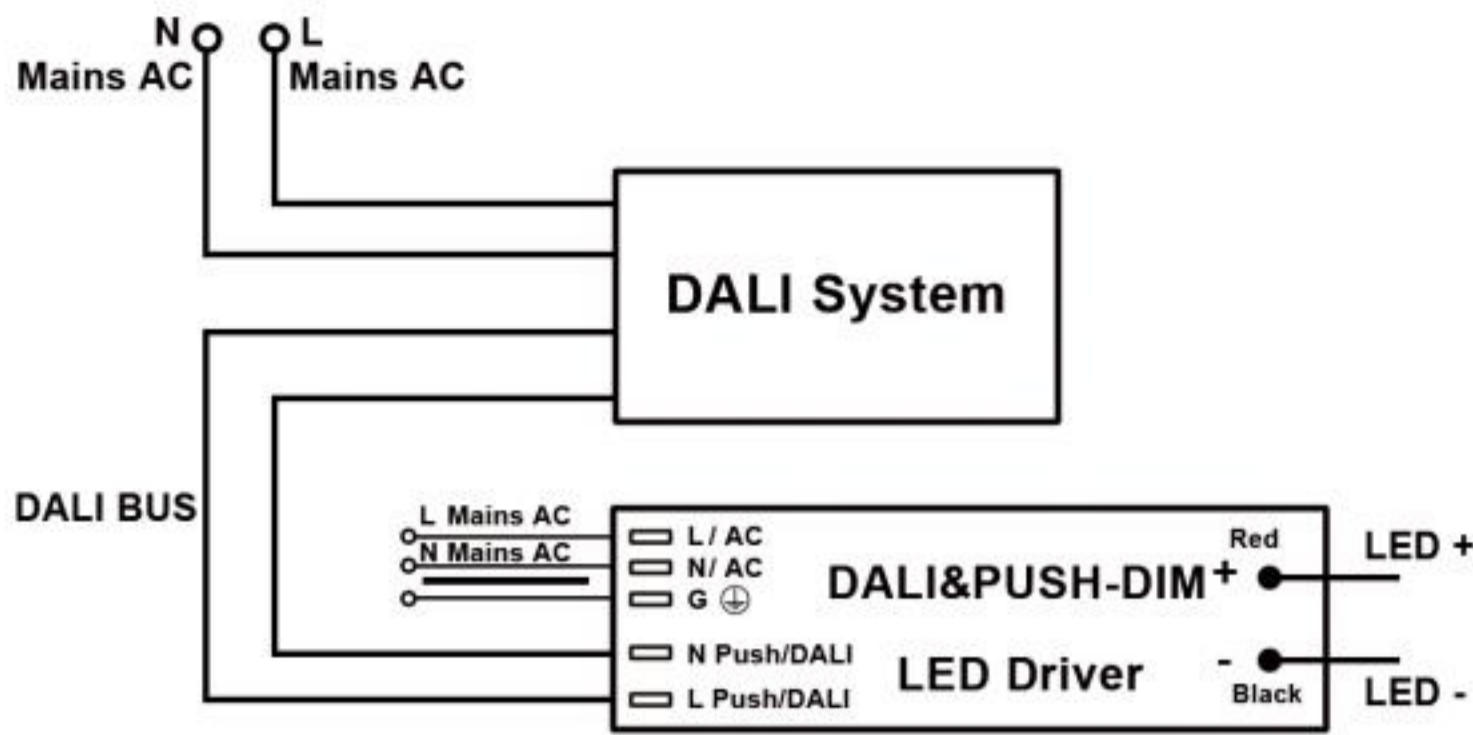
Application 适用范围

- Indoor & outdoor LED illuminating lights. 户内外LED照明灯光
- LED Neon, LED霓虹灯
- LED City Decoration LED城市装饰灯
- LED Lighting Advertising, LED广告灯带
- LED Display, Strips, Light bar LED显示屏, 灯带, 灯条
- Commercial LED Lighting, 商用LED照明

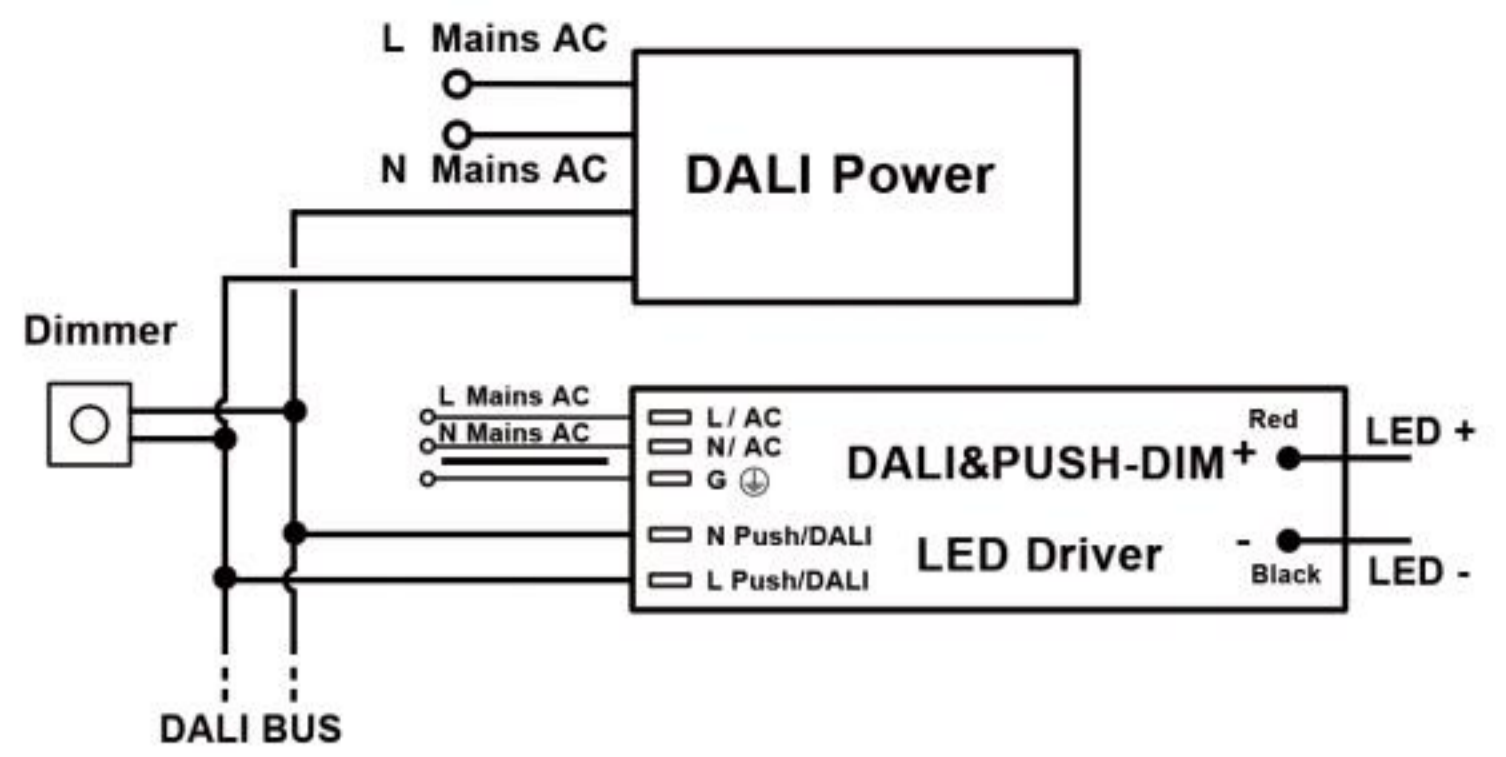
Dimming Operation 调光操作



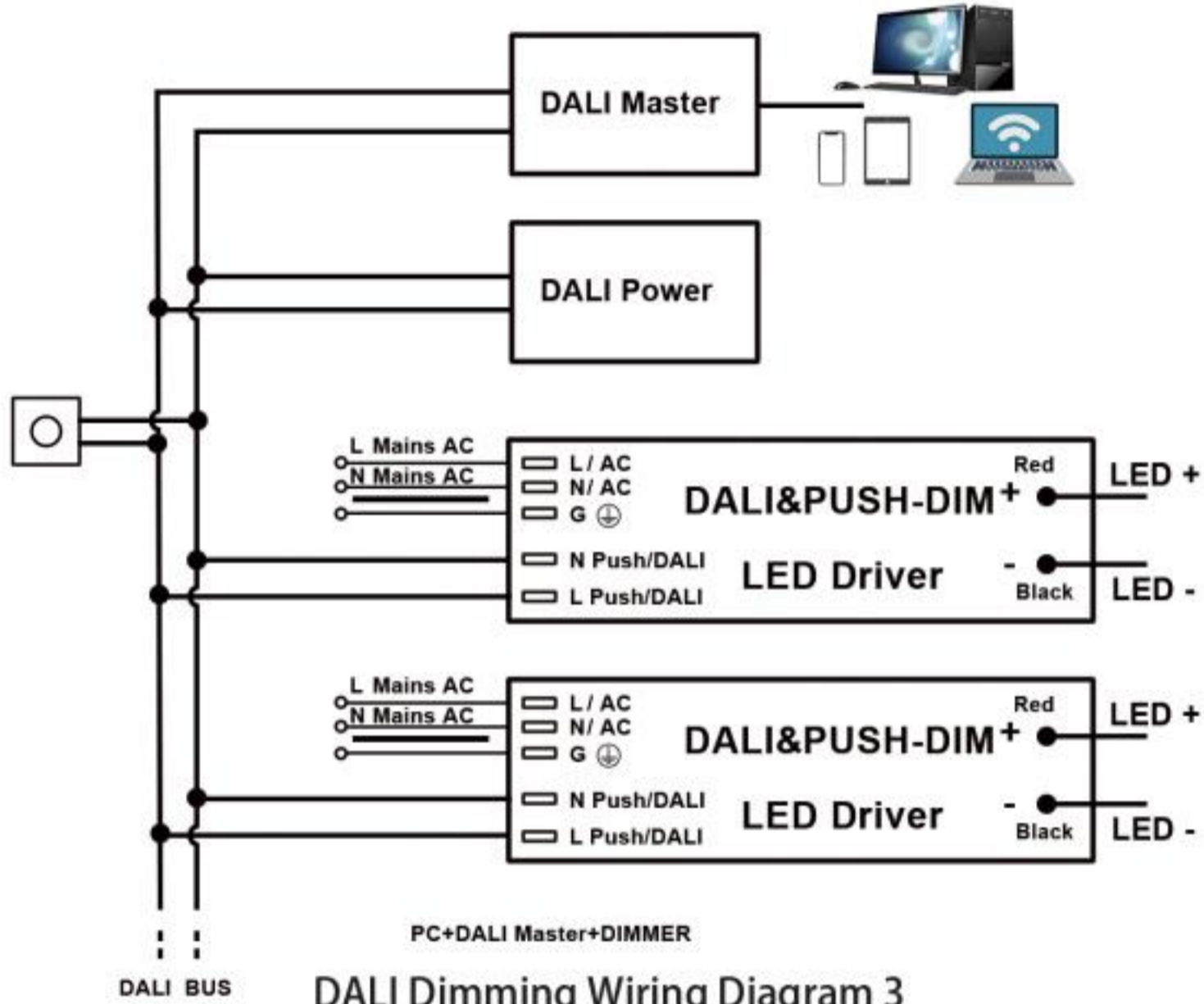
Push-Dimming Wiring Diagram 1



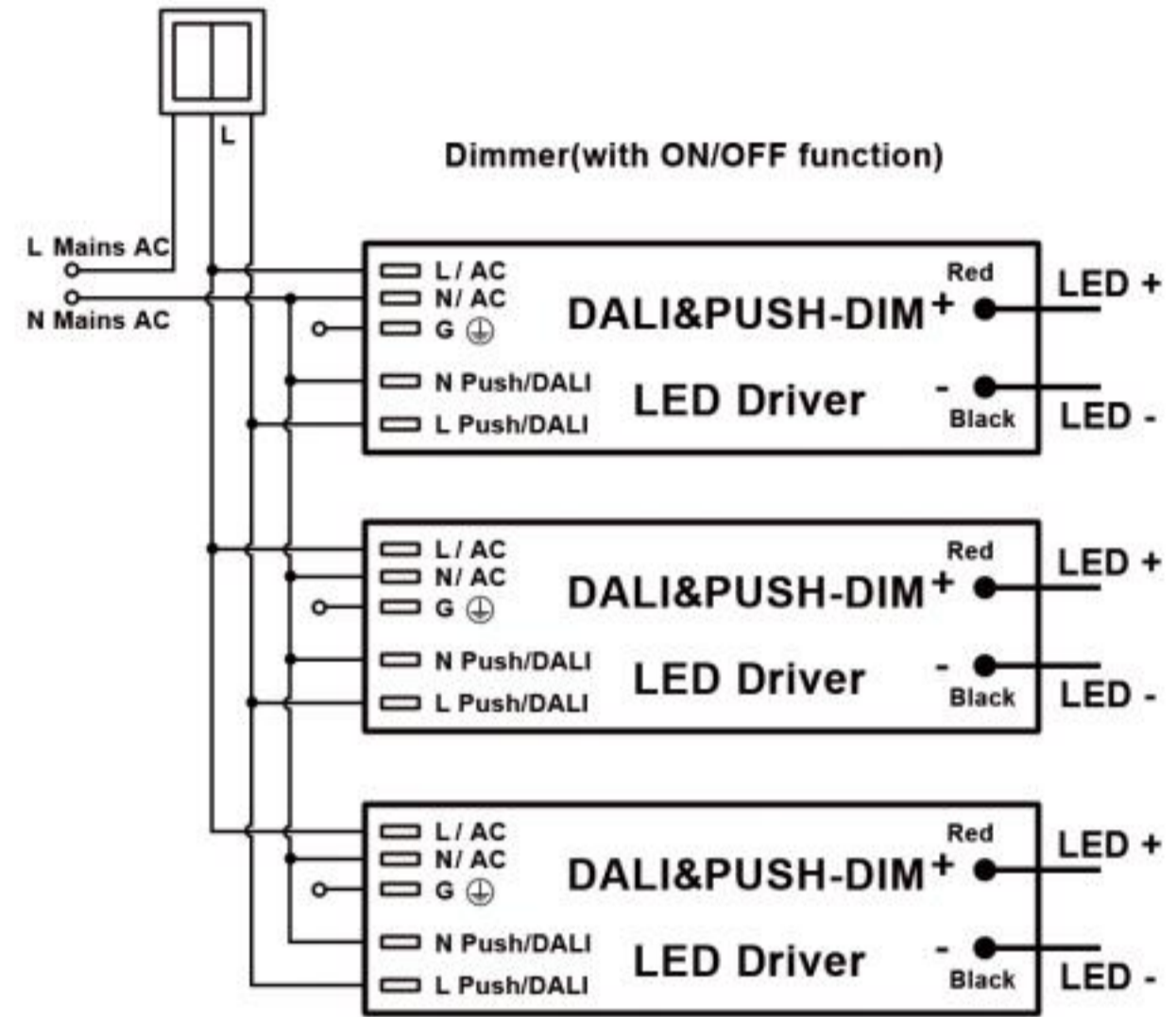
DALI Dimming Wiring Diagram1



DALI Dimming Wiring Diagram2



PC+DALI Master+DIMMER
DALI Dimming Wiring Diagram 3



Push-Dimming Wiring Diagram 2

Model 型号	Cover Material 外壳材质	Output Voltage 输出电压 (Vdc)	Output Current 输出电流 (Amp)	Output power 输出功率 (Watt)	Product Size 尺寸 (mm)	N/W 净重 (g)
SMT-012-030VMSW	Aluminum(IP67)	12	2.5	30	290*270*160	400
SMT-024-030VMSW	Aluminum(IP67)	24	1.25	30	290*270*160	400
SMT-012-030VMSP	Plastic(IP20)	12	2.5	30	330*275*130	300
SMT-024-030VMSP	Plastic(IP20)	24	1.5	30	330*275*130	300
SMT-012-036VMSW	Aluminum(IP67)	12	3	36	290*270*160	400
SMT-024-036VMSW	Aluminum(IP67)	24	1.5	36	290*270*160	400
SMT-012-036VMSP	Plastic(IP20)	12	3	36	330*275*130	300
SMT-024-036VMSP	Plastic(IP20)	24	1.25	36	330*275*130	300
SMT-012-060VMSW	Aluminum(IP67)	12	5	60	310*185*150	500
SMT-024-060VMSW	Aluminum(IP67)	24	2.5	60	310*185*150	500
SMT-012-060VMSP	Plastic(IP20)	12	5	60	310*185*150	400
SMT-024-060VMSP	Plastic(IP20)	24	2.5	60	310*185*150	400
SMT-012-100VMSW	Aluminum(IP67)	12	8.33	100	340*280*183	600
SMT-024-096VMSW	Aluminum(IP67)	24	4	96	340*280*183	600
SMT-012-100VMSP	Plastic(IP20)	12	8.33	100	340*280*183	500
SMT-024-096VMSP	Plastic(IP20)	24	4	96	340*280*183	500



Triac/ELV Dimmable Constant Voltage

Triac/ELV Dimmable Constant Voltage LED Electronic Transformer

Triac/ELV可调光恒压LED电子变压器

Features 特性

- | | |
|--|--|
| <ul style="list-style-type: none"> ● Dimming Mode: Triac/ ELV dimming ● Dimming Range: 0-100% ● Damp and dry location ● 100-130Vac input ● Build in active PFC, typical power factor=0.94 ● THD<20%@120V Max. load ● Constant voltage type ● Super low loading request, works perfect at 20-100% load. ● Short-circuit, over-load protection. ● 3 years warranty ● UL-RC, FCC, CE, ROHS, Class 2 | <p>调光方式: Triac/ELV调光</p> <p>调光范围: 0-100%调光</p> <p>潮湿和干燥的地方</p> <p>100-130Vac 输入</p> <p>内置有源PFC, 典型功率因数=0.94</p> <p>THD<20%@120V Max. 加载</p> <p>恒压型</p> <p>超低负载要求, 20-100%负载下完美运行。</p> <p>短路、过载保护。</p> <p>3年质保</p> <p>UL-RC、FCC、CE、ROHS、2类</p> |
|--|--|

Optional Shell 可选外壳

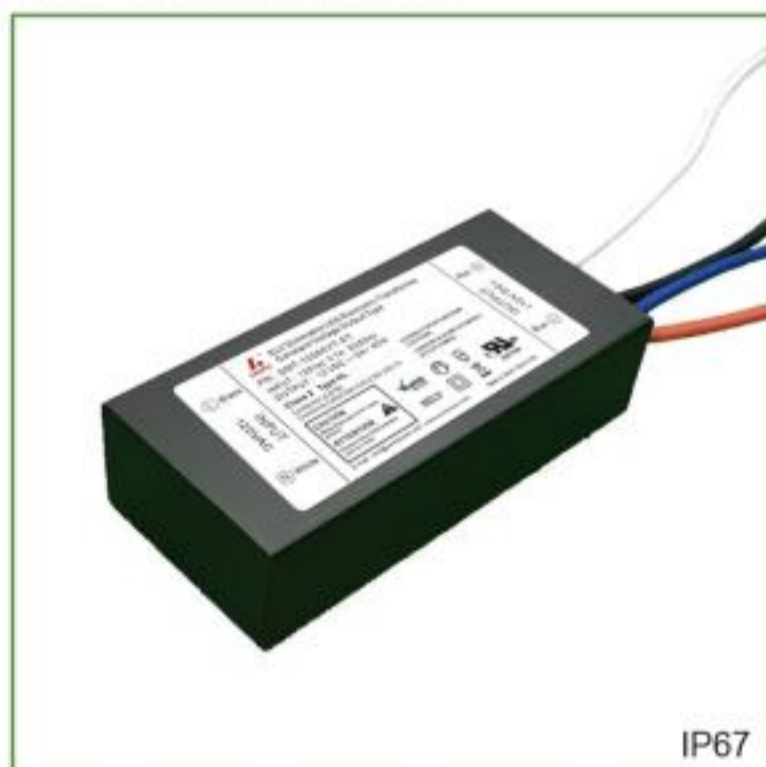
SMT- XXXXXVT - ET



IP20

DC 12V 24V, 60W 96W
Plastic IP20

SMT- XXXXXVT-ET-A



IP67

DC 12V 24V, 60W 96W
Aluminum IP67

SMT- JBXXXXXVT-ET



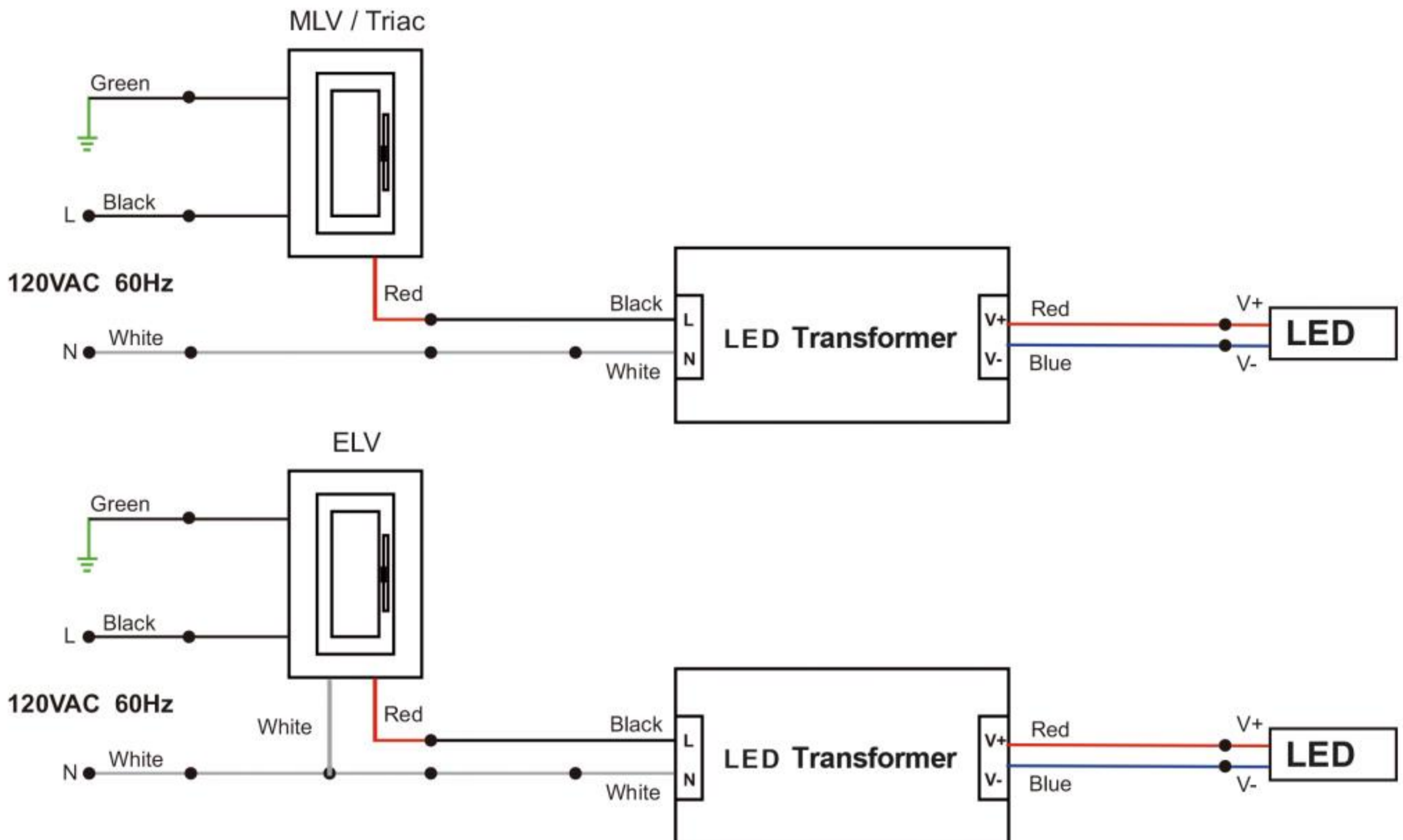
Dry,damp & wet location

DC 12V 24V, 60W 96W 120W 180W 192W 288W
Built-in Junction Box
Metal Housing (NEMA 4X)

Model 型号	Cover Material 外壳材质	Output Voltage 输出电压 (Vdc)	Output Current 输出电流 (Amp)	Output power 输出功率 (Watt)	Product Size 尺寸 (mm)	N/W 净重 (g)
SMT-12060VT-ET	Plastic(IP20)	12V	5.0A	60W	84*40*25	180
SMT-24060VT-ET		24V	2.5A	60W		
SMT-24096VT-ET		24V	4.0A	96W		
SMT-12060VT-ET-A	Aluminum(IP67)	12V	5.0A	60W	72*39*22.5	250
SMT-24060VT-ET-A		24V	2.5A	60W		
SMT-24096VT-ET-A		24V	4.0A	96W		
SMT-JB12060VT-ET	Metal Housing (NEMA 4X)	12V	5.0A	60W	95*105*42	750
SMT-JB24060VT-ET		24V	2.5A	60W		
SMT-JB24096VT-ET		24V	4.0A	96W		
SMT-JB12120VT-ET		12V	2*5A	120W	150*105*42	1250
SMT-JB12180VT-ET		12V	3*5A	180W		
SMT-JB24192VT-ET		24V	2*4A	192W		
SMT-JB24288VT-ET		24V	3*4A	288W		

Connecting Diagram

接线图



SMARTS

**HIGH QUALITY POWER SUPPLIES
MANUFACTURER**

高端电源制造商

泉州斯玛斯电子科技有限公司

Quanzhou Smarts Electronic & Technology Co.,Ltd

福建省泉州市鲤城区江南街道火炬社区火炬工业区常兴路178号

ADD:No. 178 Chang Xin Road,Huoju Industrial Zone Jiangnan Downtown Licheng Quanzhou,Fujian,China

Tel: +86 (595) 2725 6889 / +86 (595) 22863721 ext.601

Fax: +86 (595) 2246 5526

phone: +86 1348 9577 737

skype: steven821228

contact person: Mr. Allen

E-mail: sales1@smarts-electronics.com